



Non-Insulated Ring Terminals for 22-16AWG Wire

High quality Non-Insulated Ring Terminals for 22-16AWG Wire is offered by China manufacturers JZY. Ring terminals are designed to mate, connect, or terminate a single wire connection. Non-Insulated Ring Terminals for 22AWG-16 AWG Made from tinned copper. The ring structure of the connector end allows the terminal to be securely connected to a screw or stud. Each terminal features a unique set of characteristics including amperage rating, insulation type, and gauge size. Shop our extensive selection of heat shrink, nylon-insulated, vinyl-insulated, non-insulated, and high temp ring terminals below.

Product Description

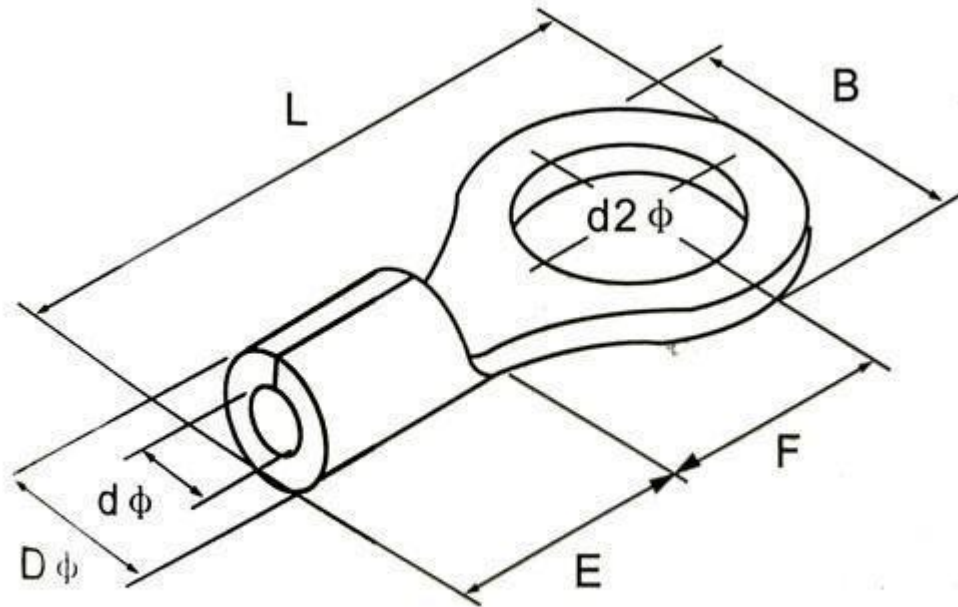
JZY is a leading China Non-Insulated Ring Terminals for 22-16AWG Wire manufacturers, suppliers and exporter.

Non-Insulated Ring Terminals for 22AWG-16 AWG have a 1/4" ring.

This is a little smaller than most battery terminals. However, some smaller batteries do use the 1/4" ring size. Larger size batteries normally use a 3/8" ring terminal size.

Non-Insulated Ring Terminals for 22-16AWG Wire Parameter (Specification)





ITEM NO.	Thickness	DIMENSIONS(mm)					WIRE SPECIFICATION MAX CURRENT	PCS /PACK
		Bolt mouth diameter	B	L	Dφ	dφ		
RNB1.25-3	0.8	3.2	5.7	12.6	3.4	1.7	0.5~1.5mm ² 22-16 A.W.G	1000
RNB1.25-3.5	0.8	3.7	5.7	12.6				
RNB1.25-4	0.8	4.3	6.6	14.4				
RNB1.25-5	0.8	5.3	8	15.7				
RNB1.25-6	0.8	6.5	11.6	21.8				
RNB1.25-8	0.8	8.4	11.6	21.8				
RNB1.25-10	0.8	10.4	13.6	25.5				
RNB1.25-12	0.8	13	19.3	30.3				

Non-Insulated Ring Terminals for 22-16AWG Wire Feature And Application

Zhejiang Centro Flow Control Co., Ltd.

Tel:+86-15088900618

E-mail:chenchenghe@jzyterminal.com

This non-insulated terminal 22AWG-16 AWG head and tail joints welded seams tin,the hole system,a thread-line. in order to enhance the tensile strength.

Max.current=19A

Wire rating: 0.5~1.5mm

Non-Insulated Ring Terminals for 22-16AWG Wire Details



Deliver,Shipping And Serving

1. Your inquiry will be replied within 24 hours.
2. We offer you professional service in fluent English.
3. Keep the mass production as the sample in high quality
4. Freight forwarder: faster, safer, and convenient.
5. Quality: we have QC on each process,provide high quality products.

Any problem or needed please feel free let us know, we are glad to service for you

We are factory, we can provide competitive price. And all the products will be shipped after quality inspection. Usually we quote within 24 hours after we get your inquiry.

PACKAGING & SHIPPING





WENZHOU JINZHIYUAN ELECTRICAL CO.,LTD.
Welcome to contact us,we will do our best to help you

CHENGHE CHEN
Tel:+86-15088900618
E-mail:chenchenghe@jzyterminal.com
Web:www.jzyterminal.com

Building F, Yueshang Pioneer Park, Wengyang Town, Yueqing City,
Zhejiang Province

FAQ

Q1: Are you a trading company or factory?

A1:We are factory with more than 20 years experience in this field.

Q2: how about the quality control in your factory?

A2: all products will be 100% inspected before shipment.

Q3: When can I get the price?

A3: Usually we will quote within 24 hours after receiving your inquiry.

Q4: What is the acceptable payment term?

A4: Credit Card, West Union, Paypal or T/T.

Q5: How could I get a sample?

A5: if you can't buy our product in your local area, we can send a sample to you. Sample will be charged by retail price, and plus all related shipping costs. Express delivery charge depends on the quantity of the samples.