



### **Non-Insulated Ring Terminals for 16-14AWG Wire**

JZY is a professional leader China Non-Insulated Ring Terminals for 16-14AWG Wire manufacturers with high quality and reasonable price. A ring terminal is a short metal tube with flat washer type ring attached. The tube or barrel end of the crimp is a hollow tube where the stranded wire is inserted and crimped. The contact or connection end is a flat ring with a central hole which connects to a stud or bolt. Ring terminals are insulated or non-insulated.

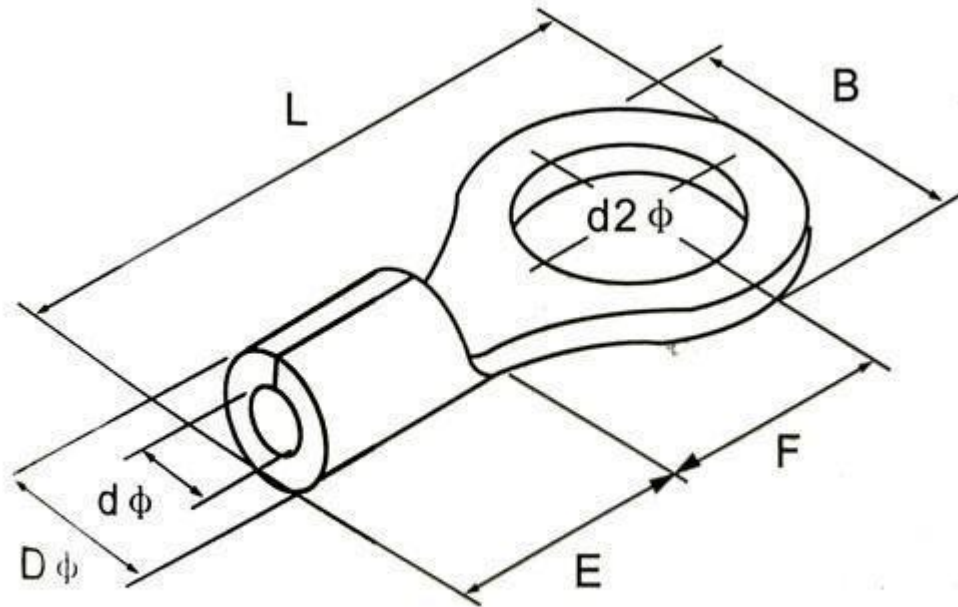
### **Product Description**

JZY is Non-Insulated Ring Terminals for 16-14AWG Wire manufacturers and suppliers in China who can wholesale Non-Insulated Ring Terminals for 16-14AWG Wire.

Non-insulated ring terminals 16-14 AWG are connectors that are used to mate, connect, or terminate a single wire, while allowing a connection to a screw or stud type electrical connection. Non-insulated ring terminals are best suited when special performance or installation characteristics are not needed. Non-insulated ring terminals are commonly used for terminating flexible wires, Cords, Control cables, Meters to control panel terminals

### **Non-Insulated Ring Terminals for 16-14AWG Wire Parameter (Specification)**





ITEM NO.	Thickness	DIMENSIONS(mm)					WIRE SPECIFICATION MAX CURRENT	PCS /PACK
		Bolt mouth diameter	B	L	DΦ	dΦ		
RNB2-3	0.8	3.2	6.6	14.5	4.1	2.3	1.5~2.5mm2 16-14 A.W.G	1000
RNB2-4S	0.8	4.3	6.6	16				
RNB2-4L	0.8	4.3	8.5	16.7				
RNB2-5	0.8	5.2	8.5	16.7				
RNB2-6	0.8	6.3	12	22				
RNB2-8	0.8	8.2	12	22				
RNB2-10	0.8	10.5	13.6	25.6				
RNB2-12	0.8	13	19.3	30.3				

### Non-Insulated Ring Terminals for 16-14AWG Wire Feature And Application

Zhejiang Centro Flow Control Co., Ltd.

Tel:+86-15088900618

E-mail:[chenchenghe@jzyterminal.com](mailto:chenchenghe@jzyterminal.com)

Non-Insulated Ring Terminals for 16-14 AWG are used to connect wires to a connection point by fitting the open face of the terminal over a stud. They create a solid connection as the ring that is fitted over the stud cannot come loose or fall off

### **Non-Insulated Ring Terminals for 16-14AWG Wire Details**



### **Deliver,Shipping And Serving**

1. Your inquiry will be replied within 24 hours.
2. We offer you professional service in fluent English.
3. Keep the mass production as the sample in high quality
4. Freight forwarder: faster, safer, and convenient.
5. Quality: we have QC on each process,provide high quality products.

Any problem or needed please feel free let us know, we are glad to service for you

We are factory, we can provide competitive price. And all the products will be shipped after quality inspection. Usually we quote within 24 hours after we get your inquiry.

## PACKAGING & SHIPPING





**WENZHOU JINZHIYUAN ELECTRICAL CO.,LTD.**  
Welcome to contact us,we will do our best to help you

**CHENGHE CHEN**  
Tel:+86-15088900618  
E-mail:[chenchenghe@jzyterminal.com](mailto:chenchenghe@jzyterminal.com)  
Web:[www.jzyterminal.com](http://www.jzyterminal.com)

---

Building F, Yueshang Pioneer Park, Wengyang Town, Yueqing City,  
Zhejiang Province

## FAQ

**Q1: Are you a trading company or factory?**

A1:We are factory with more than 20 years experience in this field.

**Q2: how about the quality control in your factory?**

A2: all products will be 100% inspected before shipment.

**Q3: When can I get the price?**

A3: Usually we will quote within 24 hours after receiving your inquiry.

**Q4: What is the acceptable payment term?**

A4: Credit Card, West Union, Paypal or T/T.

**Q5: How could I get a sample?**

A5: if you can't buy our product in your local area, we can send a sample to you. Sample will be charged by retail price, and plus all related shipping costs. Express delivery charge depends on the quantity of the samples.