



Non-Insulated Ring Terminals for 12-10AWG Wire

JZY is a professional China Non-Insulated Ring Terminals for 12-10AWG Wire manufacturers and suppliers. Non-insulated ring terminals for 12-10 AWG are made from pure copper that has been tin plated to help resist corrosion and it also makes them easy to solder. These ring terminals feature a butted seam that can be crimped with any standard low-cost crimping tool. Wire entry is tapered to make wire insertion easier. Available in ring sizes from #6 all the way up to 1/2 inch.

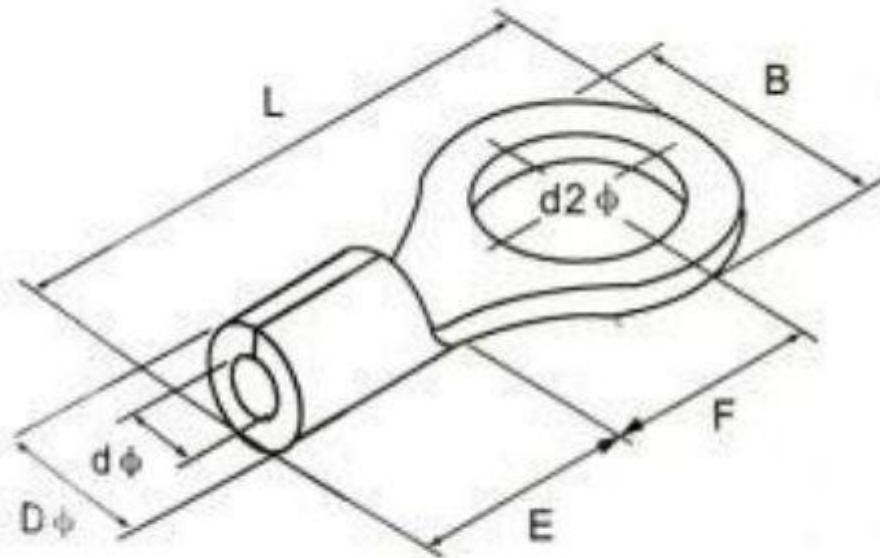
Product Description

JZY is Non-Insulated Ring Terminals for 12-10AWG Wire manufacturers and suppliers in China who can wholesale Non-Insulated Ring Terminals for 12-10AWG Wire.

Non-Insulated Ring Terminals for 12-10 AWG

Compression lugs are designed to terminate copper conductors. Each Non-Insulated Ring Terminals for 12-10 AWG is electro-tin plated to resist corrosion. Ferrules Direct compression lugs are installed using our crimping tools as well as industry standard ones.





ITEM NO.	THICKNESS	DIMENSIONS(mm)					WIRE SPECIFICATION MAX CURRENT	PCS /PACK /PACK
		BOLT OPENING DIAMETER	B	L	DΦ	dΦ		
RNB5.5-4	1.0	4.3	7.2	15.7	5.6	3.4	4~6mm2 12-10 A.W.G	500
RNB5.5-4L	1.0	4.3	9.5	19.8				
RNB5.5-5	1.0	5.2	9.5	19.8				
RNB5.5-6	1.0	6.5	12	23				
RNB5.5-8	1.0	8	15	28.2				
RNB5.5-10	1.0	10.2	15	28				
RNB5.5-12	1.0	13	19.2	32.4				

Non-Insulated Ring Terminals for 12-10AWG Wire Details



Non-Insulated Ring Terminals for 12-10AWG Wire Qualification



