

© Zhejiang Galaxy Fuse Co., Ltd.

本画册采用生态纸印制  
This album is printed on ecological paper YR-01



## 太阳能光伏发电保护用熔断器 SOLAR PV POWER PROTECTLON



### 40载的专注与沉淀

只因给您的电路提供更安全的保障

The 40 years **specilization** and **precipitaton** aims to assure the circuit security



## 浙江银河熔断器有限公司 ZHEJIANG GALAXY FUSE CO., LTD.

地址：浙江省温州市柳市镇长春工业园

电话：+86-577-61752976 62789319

传真：+86-577-61750013

手机：18267858622

邮编：325604

邮箱：yinhe@galaxyfuse.com

网址：www.galaxyfuse.com www.yhrdq.com Website: www.galaxyfuse.com www.yhrdq.com

Address: Changchun Industrial Park, Liushi Town, Wenzhou City, Zhejiang Province

Telephone: +86-577-61752976 62789319

Fax: +86-577-61750013

Mobile phone: 18267858622

Zip code: 325604

Email: yinhe@galaxyfuse.com



扫一扫 浏览电子样本  
Scan and browse electronic samples

\* 本公司保留为产品技术进步、升级所作改动的权利，如有改动，恕不另行通知。

The company reserves the right to make changes for product technological progress and upgrades. Any changes will be made without notice.

\* 本手册中图片、技术说明可能与实际有所不同，请以实际实物和使用说明书为准。

The pictures and technical descriptions in this manual may be different from the actual ones. Please refer to the actual products and instruction manuals.

## 浙江银河熔断器有限公司 ZHEJIANG GALAXY FUSE CO., LTD.





国家高新技术企业



3A 级信用单位证书



职业健康安全管理体系认证证书



质量管理体系认证证书



环境管理体系认证证书



信用等级证书



资信等级证书



诚信经营示范单位证书



质量服务信誉证书



重合同守信用证书



RT16-00 CQC 证书



RT0-100 CQC 证书



RT0-200 CQC 证书



RT16-1 CQC 证书



RT16-2 CQC 证书



RT18-63 CQC 证书



RT18-32 CQC 证书



RT14-63 CQC 证书



RT14-32 CQC 证书



RT14-20 CQC 证书



发明专利证书



发明专利证书



发明专利证书



发明专利证书



发明专利证书



外观设计专利证书



外观设计专利证书



实用新型专利证书



实用新型专利证书



实用新型专利证书







# 企业简介

## COMPANY PROFILE

浙江银河熔断器有限公司始创于1985年，专业生产各种高、低压熔断器。40多年的创业史，使得我们积累了丰富的制造经验，公司技术力量雄厚、生产工艺先进，加工、检测设备精良、齐全。是早期获得ISO9001质量体系认证及“3C”产品认证、且在2014年被授予科技(创新)型企业。

由于光伏发电是绿色环保能源，有取之不尽、用之不竭的说法，是人类当今需求的不可多得能量来源，因此公司早期已开发了太阳能发电保护用熔断器，并在国内最早通过测试，获得德国莱茵认证机构颁发的TUV证书、CE证书，及美国认证机构颁发的UL证书，且产品的许多技术性能指标远超国内外同类产品，已具有相当高的技术优势。

光伏熔断器使用场合环境复杂、海拔高、气候变化无常，故在极端气候条件下能正常及可靠地分断故障过载电流、短路大电流尤为重要。迄今为止，国内外光伏熔断器较先进技术指标也只在In15A, DC1000V、分断能力30kA，而我公司生产的这款产品通过技术工艺创新，已成功实现In30A, DC1000V/1500V、分断能力升级为40kA，且技术指数远超国内外同类产品。

因市场需求，近期公司又新研发多款1500V的直流光伏熔断器，这对我们来说在技术改进和工艺创新又是一次挑战，可喜的是其中关键性技术性能指标均通过国家级专业测试站的测试，并取得美国认证机构颁发的UL认证证书及德国莱茵机构颁发的TUV证书。

Zhejiang Galaxy Fuse Co., Ltd. was founded in 1985, specializing in the production of various high and low voltage fuses. More than 40 years of business history has allowed us to accumulate rich manufacturing experience. The company has strong technical force, advanced production technology, sophisticated and complete testing equipments. It is an early access to ISO9001 quality system certification and "3C" product certification, and was awarded a technology (innovative) enterprise in 2014.

As photovoltaic power generation is a green and environmentally friendly energy source, it is said that it is inexhaustible and . It is a rare energy source demanded by mankind today. Therefore, the company has developed a fuse for solar power generation protection in the early days, which are the first domestic fuse company to pass the tests, it has obtained the TUV certificate, CE certificate issued by the German Rheinland certification institution, and the UL certificate issued by the American certification institution, and many technical performance indexes of the product far exceed similar products at home and abroad, and already have quite high technical advantages.

Photovoltaic fuses are used in complex environments, high altitudes, and unpredictable climate changes. Therefore, it is particularly important that overload currents and short-circuit high currents can be disconnected normally and reliably under extreme climatic conditions. So far, the more advanced technical indexes of domestic and foreign photovoltaic fuses are only In15A, DC1000V, and breaking capacity of 30kA. The product produced by our company has successfully achieved In30A, DC1500V, and breaking capacity upgraded to 40kA through technological process innovation. The technical indexes far exceeds that of similar products at home and abroad.

Due to market demand, the company recently developed a variety of 1500V DC photovoltaic fuses. This is another challenge for us in technological improvement and process innovation. Fortunately, the key technical performance indexes have passed the tests in the national professional test station. Test, and obtained the UL certification issued by the American certification institution and the TUV certificate issued by the German Rhein institution.



# 产品目录

## PRODUCT CATALOG



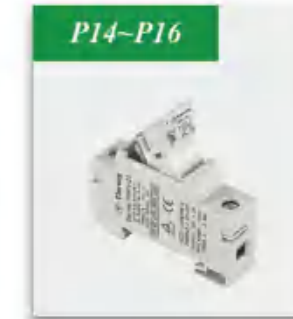
**P01~P05**  
YRPV-30 / 1000Vdc  
YRPV-30s / 1500Vdc  
(2A~30A)



**P06~P08**  
YRPV-30 1000Vdc / 1500Vdc  
(2A~30A)  
派生系列 / Derived series



**P09~P13**  
YRPV-30L 1000Vdc / 1500Vdc  
(2A~30A)



**P14~P16**  
YRPV-20 1000Vdc  
(2A~20A)



**P17~P18**  
YRPV-35 1500Vdc  
(2A~35A)



**P19~P21**  
YRPV-40 1000Vdc / 1500Vdc  
(10A~40A)



**P22~P24**  
YRPV-63 1000Vdc / 1500Vdc  
(10A~63A)



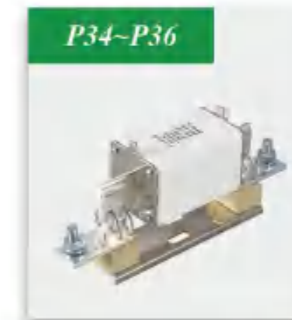
**P25~P27**  
YRPV-160 1000Vdc/1500Vdc  
(40A~160A)



**P28~P30**  
YRPV-250D 1000Vdc / 1500Vdc  
(80A~250A)



**P31~P33**  
YRPV-400D 1000Vdc / 1500Vdc  
(125A~400A)



**P34~P36**  
YRPV-630D 1000Vdc / 1500Vdc  
(315A~630A)



**P37~P39**  
YRPV-1250D 1000Vdc / 1500Vdc  
(500A~1250A)





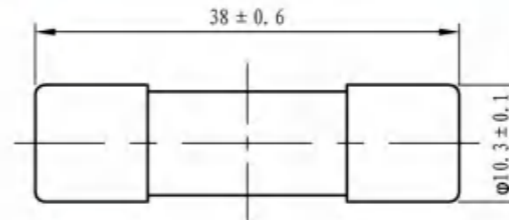
- 规格 / Specifications**
  - 额定电压 / Rated voltage: 1000Vdc
  - 额定电流 / Rated current: 2A~30A
  - 保护类别 / Protection category: gPV— 光伏系统全范围保护  
Full range protection of PV system
  - 分断能力 / Breaking capacity: 20kA 40kA
  - 时间常数 / Time constant: 1-3ms
- 符合标准 / Standard**
  - IEC60269-6
  - UL248-19
- 典型应用 / Typical application**
  - 光伏汇流箱 - 太阳能光伏组件保护  
PV combiner box - Solar PV module protection
- 产品特点 / Product features**
  - 温升功耗低, 使用寿命长  
Low temperature rise, low power consumption and long service life
  - 标准化尺寸, 结构紧凑  
Standardized size and compact structure
- 适用支持件 & 底座 / Applicable holder & base**
  - YRPV-30 (X)
  - YRPV-30 (Clip)

产品参数 / Product parameters

产品代码 Product code	额定电流 Rated current	分断能力 Breaking capacity	安全认证 / Safety certificate			功率损耗 Power loss 1.0In (W)	产品净重 Net weight
			△	CE	UL		
YRPV30/02NF	2A	1000Vdc TUV&CE: 20kA UL: 40kA	●	●	●	0.9	10g
YRPV30/03NF	3A		●	●	●	1.0	
YRPV30/04NF	4A		●	●	●	1.2	
YRPV30/05NF	5A		●	●	●	1.3	
YRPV30/06NF	6A		●	●	●	1.5	
YRPV30/08NF	8A		●	●	●	1.8	
YRPV30/10NF	10A		●	●	●	2.2	
YRPV30/12NF	12A		●	●	●	2.3	
YRPV30/15NF	15A		●	●	●	2.7	
YRPV30/20NF	20A		●	●	●	3.2	
YRPV30/25NF	25A		●	●	●	3.8	
YRPV30/30NF	30A		●	●	●	4.5	

注: ●表示已取得安全认证; ○表示正在申请安全认证  
Note: ● Denotes for certification approved; ○ Denotes for pending certification

产品尺寸 (mm) / Product size (mm)



型号解释 / Model explanation

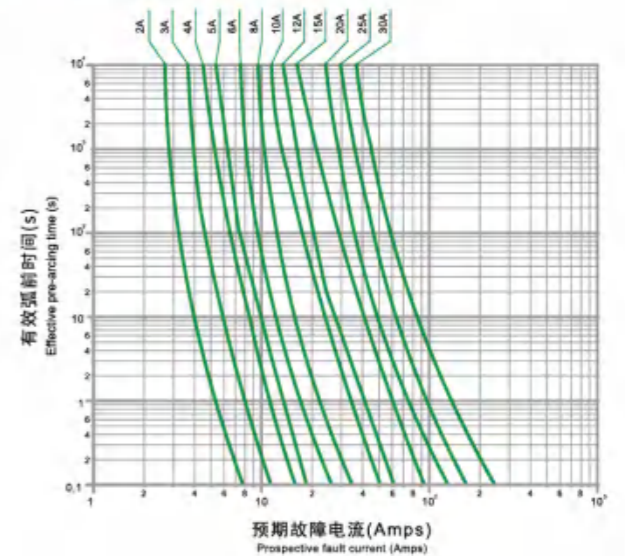
- YR PV - 30 / ( )
- ① 银河熔断器代号 / Galaxy fuse code..... YR
- ② 光伏 / "Photovoltaic" ..... PV
- ③ 熔断器最大额定电流 / Maximum rated current of fuse..... 30A
- ④ 熔断体额定电流 / Rated current of fuse link..... E.g : 15A

时间 - 电流特性 / Time-current characteristic

标准 / Standard: UL248-19		标准 / Standard: IEC60269-6	
135% In	200% In	113% In	145% In
< 1h 熔断 < 1h fusing	< 240s 熔断 < 240s fusing	> 1h 不熔断 > 1h non fusing	< 1h 熔断 < 1h fusing

注: 后续标准更新, 不影响产品的性能和正常使用。  
Note: Subsequent standard updates will not affect the performance and normal use of the product.

时间 - 电流曲线图 / Time-current curve



认证证书 / Certification





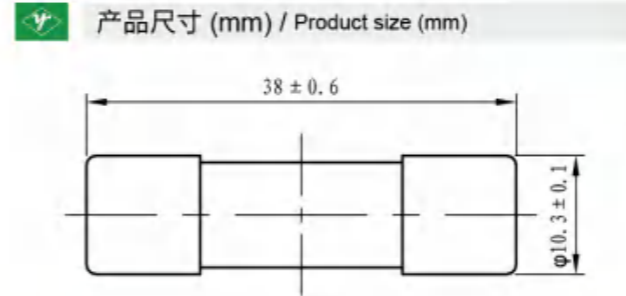


- 规格 / Specifications**
  - 额定电压 / Rated voltage: 1500Vdc
  - 额定电流 / Rated current: 2A~30A
  - 保护类别 / Protection category: gPV— 光伏系统全范围保护  
Full range protection of PV system
  - 分断能力 / Breaking capacity: 15kA 20kA
  - 时间常数 / Time constant: 1-3ms
- 符合标准 / Standard**
  - IEC60269-6
  - UL248-19
- 典型应用 / Typical application**
  - 光伏汇流箱 - 太阳能光伏组件保护  
PV combiner box - Solar PV module protection
- 产品特点 / Product features**
  - 温升功耗低, 使用寿命长  
Low temperature rise, low power consumption and long service life
  - 标准化尺寸, 结构紧凑  
Standardized size and compact structure
- 适用支持件 & 底座 / Applicable holder & base**
  - YRPV-30 (X)
  - YRPV-30 (Clip)

产品参数 / Product parameters

产品代码 Product code	额定电流 Rated current	分断能力 Breaking capacity	安全认证 / Safety certificate			功率损耗 Power loss 1.0In (W)	产品净重 Net weight
			△	CE	UL		
YRPV30S/02NF	2A	1500Vdc TUV&CE: 15kA UL: 20kA	●	●	●	0.9	10g
YRPV30S/03NF	3A		●	●	●	1.0	
YRPV30S/04NF	4A		●	●	●	1.2	
YRPV30S/05NF	5A		●	●	●	1.3	
YRPV30S/06NF	6A		●	●	●	1.5	
YRPV30S/08NF	8A		●	●	●	1.8	
YRPV30S/10NF	10A		●	●	●	2.2	
YRPV30S/12NF	12A		●	●	●	2.3	
YRPV30S/15NF	15A		●	●	●	2.7	
YRPV30S/20NF	20A		●	●	●	3.2	
YRPV30S/25NF	25A	●	●	●	3.8		
YRPV30S/30NF	30A	●	●	●	4.5		

注: ●表示已取得安全认证; ○表示正在申请安全认证  
Note: ● Denotes for certification approved; ○ Denotes for pending certification



- 产品尺寸 (mm) / Product size (mm)**
- 型号解释 / Model explanation**

YR PV - 30 S / ( )

① 银河熔断器代号 / Galaxy fuse code..... YR

② 光伏 / "Photovoltaic" ..... PV

③ 熔断器最大额定电流 / Maximum rated current of fuse..... 30A

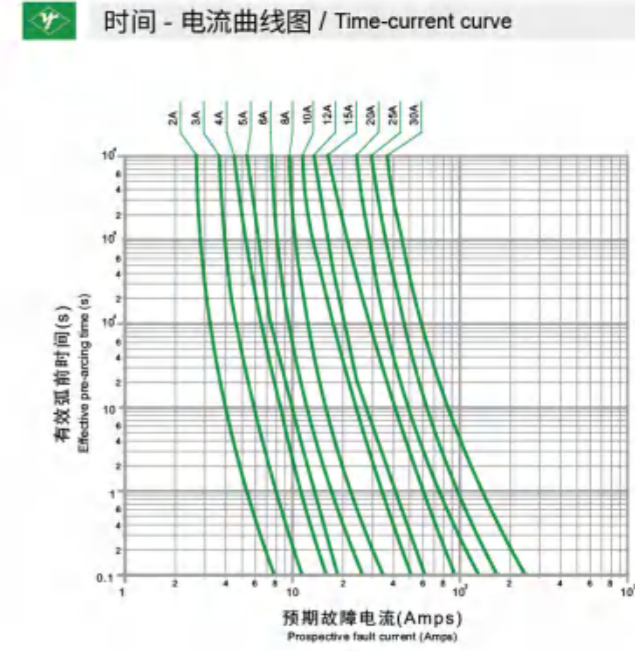
④ 尺码代号 / Size code....."s"- 38mm 短款 / Short size

⑤ 熔断体额定电流 / Rated current of fuse link..... E.g :15A

- 时间 - 电流特性 / Time-current characteristic**

标准 / Standard: UL248-19		标准 / Standard: IEC60269-6	
135% In	200% In	113% In	145% In
< 1h 熔断 < 1h fusing	< 240s 熔断 < 240s fusing	> 1h 不熔断 > 1h non fusing	< 1h 熔断 < 1h fusing

注: 后续标准更新, 不影响产品的性能和正常使用。  
Note: Subsequent standard updates will not affect the performance and normal use of the product.





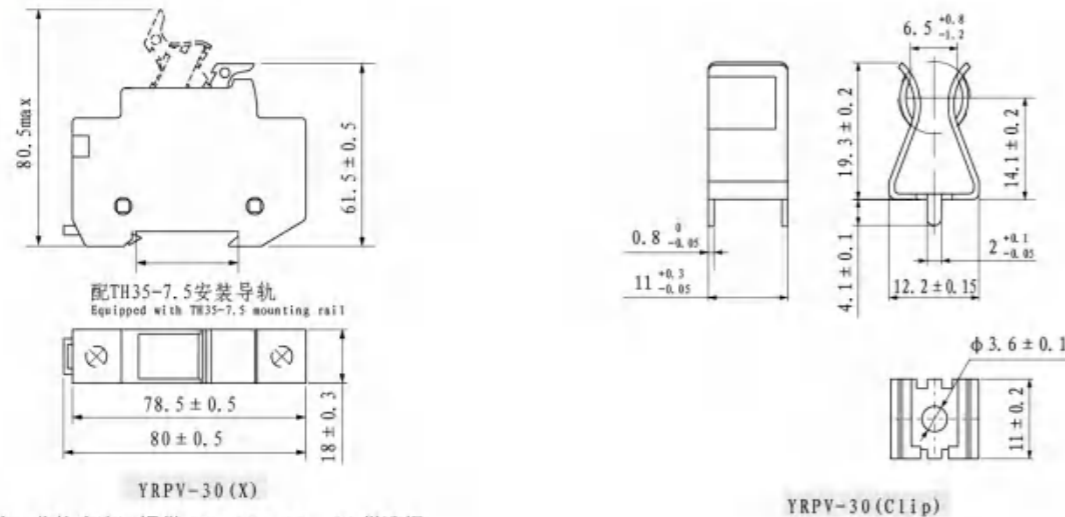
- 规格 / Specifications**
  - 额定电压 / Rated voltage: 1000Vdc / 1500Vdc
  - 额定电流 / Rated current: 30A
- 符合标准 / Standard**
  - IEC60269-6
  - UL4248-19
  - EN60947-3
- 典型应用 / Typical application**
  - 光伏汇流箱  
PV combiner box
- 产品特点 / Product features**
  - 进口尼龙材料, V0级阻燃, 耐高低温  
Imported nylon material, V0 flame retardant, high and low temperature resistance
  - ≥24h 盐雾试验, 耐酸性环境  
≥24h salt spray test, resistance to acid environment
  - 紫铜镀银接线端子, 温升低  
Silver-plated copper terminal blocks, low temperature rise

产品参数 / Product parameters

产品代码 Product code	额定电流 Rated current	分断能力 Breaking capacity	安全认证 / Safety certificate			配装熔断体型号尺寸 Fitted with fuse-link model size	产品净重 Net weight
			△	CE	UL		
YRPV-30	30A	1000Vdc	●	●	●	YRPV-30 (S) (Φ10.3x38)mm	58.5g
YRPV-30X	30A	1500Vdc	●	●	○		61.5g
YRPV-30 (Clip)	30A	1500Vdc	○	○	○		3.7g

注: ●表示已取得安全认证; ○表示正在申请安全认证  
Note: ● Denotes for certification approved; ○ Denotes for pending certification

产品尺寸 (mm) / Product size (mm)

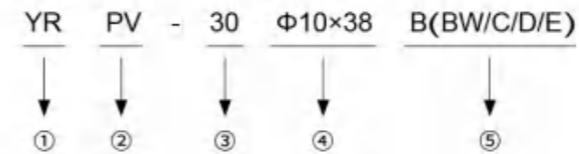


注: 此款底座可提供 1P、2P、3P、4P 供选择  
Note: This base can provide 1P, 2P, 3P, 4P for selection



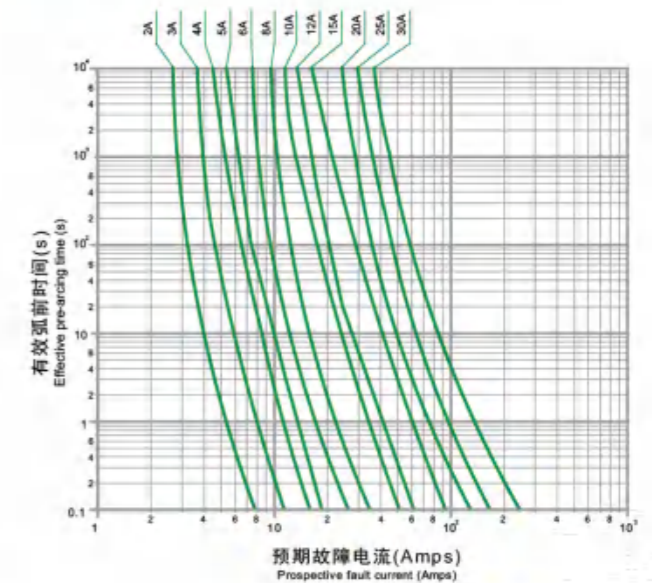
- 规格 / Specifications**
  - 额定电压 / Rated voltage: 1000Vdc / 1500Vdc
  - 额定电流 / Rated current: 2A~30A
  - 保护类别 / Protection category: gPV— 光伏系统全范围保护  
Full range protection of PV system
  - 分断能力 / Breaking capacity: 20kA
  - 时间常数 / Time constant: 1-3ms
- 符合标准 / Standard**
  - IEC60269-6
  - UL248-19
- 典型应用 / Typical application**
  - 光伏汇流箱 - 太阳能光伏组件保护  
PV combiner box - Solar PV module protection
- 产品特点 / Product features**
  - 温升功耗低, 使用寿命长  
Low temperature rise, low power consumption and long service life
  - 标准化尺寸, 结构紧凑  
Standardized size and compact structure

型号解释 / Model interpretation



- ① ..... 银河熔断器代号 / Galaxy fuse code ..... YR
- ② ..... 光伏 / "Photovoltaic" ..... PV
- ③ ..... 熔断器最大额定电流 / Maximum rated current of fuse ..... 30A
- ④ ..... 熔断体尺寸代号 / Fuse size code ..... Φ10×38
- ⑤ ..... 外形结构代号 / Shape structure code ..... B、BW、C、D、E

时间 - 电流曲线图 / Time current curve



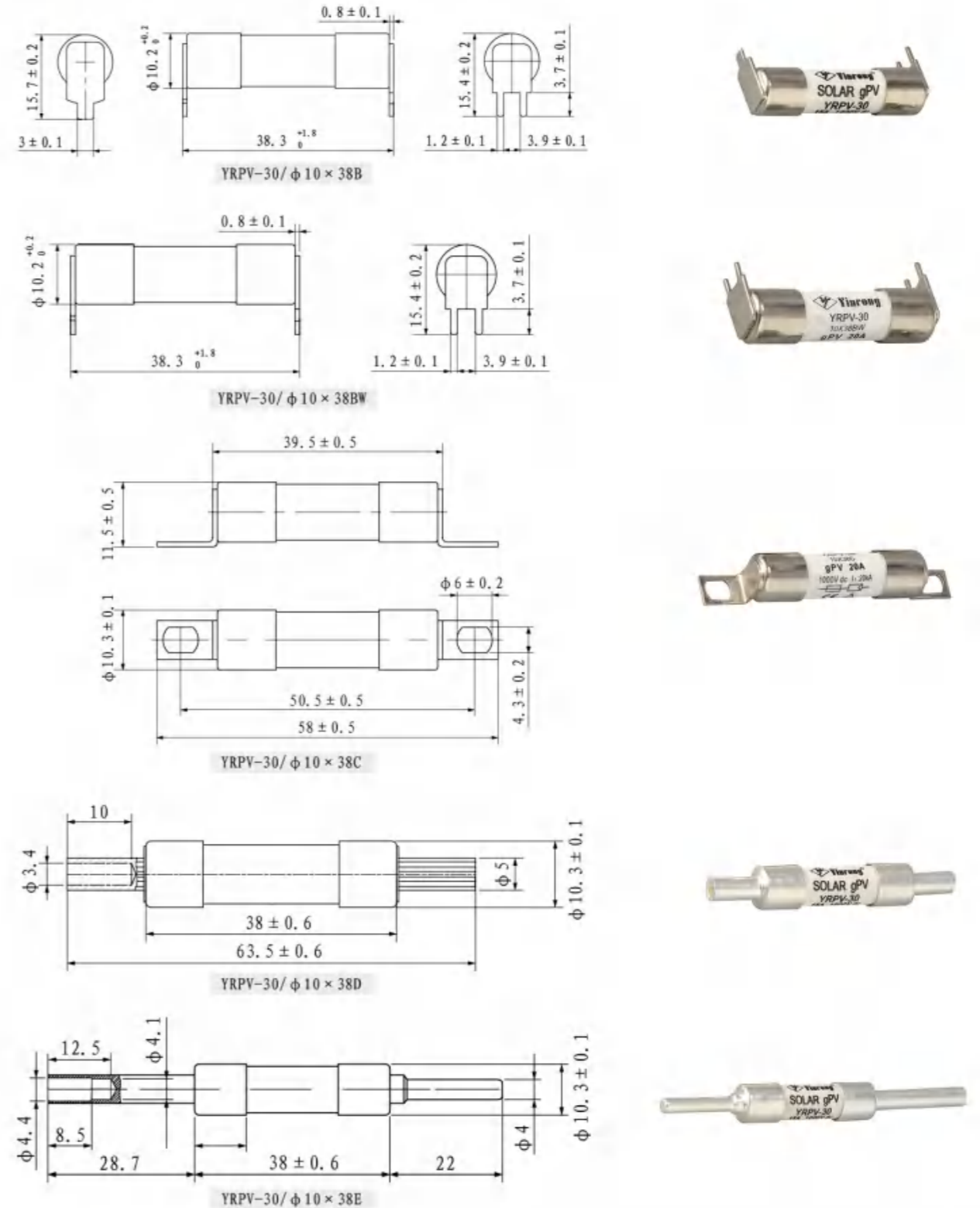


产品参数 / Product parameters

产品代码 Product code	额定电流 Rated current	分断能力 Breaking capacity	安全认证 / Safety certificate			功率损耗 power loss 1.0In (W)	产品净重 Net weight
			△	CE	®		
YRPV30B/02NF	2A	1000Vdc /1500Vdc: 20kA	○	○	○	0.9	11.5g
YRPV30B/03NF	3A		○	○	○	1.0	
YRPV30B/04NF	4A		○	○	○	1.2	
YRPV30B/05NF	5A		○	○	○	1.3	
YRPV30B/06NF	6A		○	○	○	1.5	
YRPV30B/08NF	8A		○	○	○	1.8	
YRPV30B/10NF	10A		○	○	○	2.2	
YRPV30B/12NF	12A		○	○	○	2.3	
YRPV30B/15NF	15A		○	○	○	2.7	
YRPV30B/20NF	20A		○	○	○	3.2	
YRPV30B/25NF	25A		○	○	○	3.8	
YRPV30B/30NF	30A		○	○	○	4.5	
YRPV30BW/02NF	2A		○	○	○	0.9	11.5g
YRPV30BW/03NF	3A		○	○	○	1.0	
YRPV30BW/04NF	4A		○	○	○	1.2	
YRPV30BW/05NF	5A		○	○	○	1.3	
YRPV30BW/06NF	6A		○	○	○	1.5	
YRPV30BW/08NF	8A		○	○	○	1.8	
YRPV30BW/10NF	10A		○	○	○	2.2	
YRPV30BW/12NF	12A		○	○	○	2.3	
YRPV30BW/15NF	15A		○	○	○	2.7	
YRPV30BW/20NF	20A		○	○	○	3.2	
YRPV30BW/25NF	25A		○	○	○	3.8	
YRPV30BW/30NF	30A		○	○	○	4.5	
YRPV30C/02NF	2A		○	○	○	0.9	11.5g
YRPV30C/03NF	3A		○	○	○	1.0	
YRPV30C/04NF	4A		○	○	○	1.2	
YRPV30C/05NF	5A		○	○	○	1.3	
YRPV30C/06NF	6A		○	○	○	1.5	
YRPV30C/08NF	8A		○	○	○	1.8	
YRPV30C/10NF	10A	○	○	○	2.2		
YRPV30C/12NF	12A	○	○	○	2.3		
YRPV30C/15NF	15A	○	○	○	2.7		
YRPV30C/20NF	20A	○	○	○	3.2		
YRPV30C/25NF	25A	○	○	○	3.8		
YRPV30C/30NF	30A	○	○	○	4.5		
YRPV30D/02NF	2A	○	○	○	0.9	13.3g	
YRPV30D/03NF	3A	○	○	○	1.0		
YRPV30D/04NF	4A	○	○	○	1.2		
YRPV30D/05NF	5A	○	○	○	1.3		
YRPV30D/06NF	6A	○	○	○	1.5		
YRPV30D/08NF	8A	○	○	○	1.8		
YRPV30D/10NF	10A	○	○	○	2.2		
YRPV30D/12NF	12A	○	○	○	2.3		
YRPV30D/15NF	15A	○	○	○	2.7		
YRPV30D/20NF	20A	○	○	○	3.2		
YRPV30D/25NF	25A	○	○	○	3.8		
YRPV30D/30NF	30A	○	○	○	4.5		
YRPV30E/02NF	2A	○	○	○	0.9	15.6g	
YRPV30E/03NF	3A	○	○	○	1.0		
YRPV30E/04NF	4A	○	○	○	1.2		
YRPV30E/05NF	5A	○	○	○	1.3		
YRPV30E/06NF	6A	○	○	○	1.5		
YRPV30E/08NF	8A	○	○	○	1.8		
YRPV30E/10NF	10A	○	○	○	2.2		
YRPV30E/12NF	12A	○	○	○	2.3		
YRPV30E/15NF	15A	○	○	○	2.7		
YRPV30E/20NF	20A	○	○	○	3.2		
YRPV30E/25NF	25A	○	○	○	3.8		
YRPV30E/30NF	30A	○	○	○	4.5		

注: ●表示已取得安全认证; ○表示正在申请安全认证  
Note: ● Denotes for certification approved; ○ Denotes for pending certification

产品尺寸 (mm) / Product size (mm)







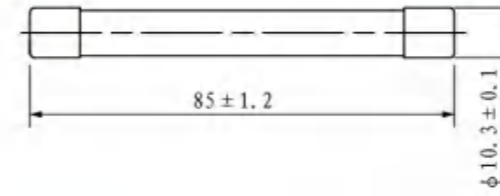
- 规格 / Specifications**
  - 额定电压 / Rated voltage: 1000Vdc/1500Vdc
  - 额定电流 / Rated current: 2A~35A
  - 保护类别 / Protection category: gPV— 光伏系统全范围保护  
Full range protection of PV system
  - 分断能力 / Breaking capacity: 40kA 20kA
  - 时间常数 / Time constant: 1-3ms
- 符合标准 / Standard**
  - IEC60269-6
  - UL248-19
- 典型应用 / Typical application**
  - 光伏汇流箱 - 太阳能光伏组件保护  
PV combiner box - Solar PV module protection
- 产品特点 / Product features**
  - 温升功耗低, 使用寿命长  
Low temperature rise, low power consumption and long service life
  - 标准化尺寸, 结构紧凑  
Standardized size and compact structure
- 适用支持件 & 底座 / Applicable holder & base**
  - YRPV-30L

产品参数 / Product parameters

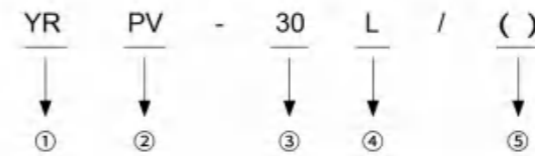
产品代码 Product code	额定电流 Rated current	分断能力 Breaking capacity	安全认证 / Safety certificate			功率损耗 Power loss 1.0In (W)	产品净重 Net weight
			△	CE	UL		
YRPV30L/02NF	2A	1500Vdc TUV&CE: 40kA UL: 20kA	•	•	•	2.2	19g
YRPV30L/03NF	3A		•	•	•	2.3	
YRPV30L/04NF	4A		•	•	•	2.5	
YRPV30L/05NF	5A		•	•	•	2.6	
YRPV30L/06NF	6A		•	•	•	2.8	
YRPV30L/08NF	8A		•	•	•	3.1	
YRPV30L/10NF	10A		•	•	•	3.4	
YRPV30L/12NF	12A		•	•	•	3.7	
YRPV30L/15NF	15A		•	•	•	4.0	
YRPV30L/20NF	20A		•	•	•	4.6	
YRPV30L/25NF	25A	•	•	•	5.6		
YRPV30L/30NF	30A	•	•	•	6.5		
YRPV35L/35NF	35A		○	○	○	6.8	
YRPV30LNF	2-30A	1000Vdc:40kA	○	○	○	6.5	

注: • 表示已取得安全认证; ○ 表示正在申请安全认证  
Note: • Denotes for certification approved; ○ Denotes for pending certification

产品尺寸 (mm) / Product size (mm)



型号解释 / Model explanation



- ① ..... 银河熔断器代号 / Galaxy fuse code ..... YR
- ② ..... 光伏 / "Photovoltaic" ..... PV
- ③ ..... 熔断器最大额定电流 / Maximum rated current of fuse ..... 30A
- ④ ..... 尺码代号 / Size code ..... "L" - 85mm 长款 / Long size
- ⑤ ..... 熔断体额定电流 / Rated current of fuse link ..... E.g :15A

认证证书 / Certification

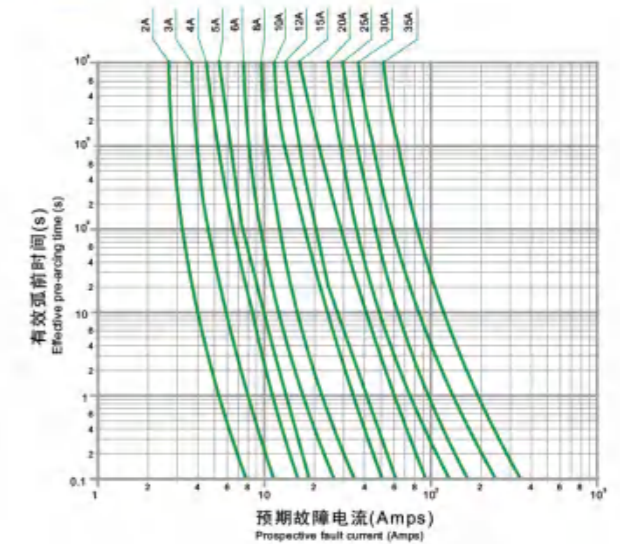


时间 - 电流特性 / Time-current characteristic

标准 / Standard: UL248-19		标准 / Standard: IEC60269-6	
135% In	200% In	113% In	145% In
< 1h 熔断 < 1h fusing	< 240s 熔断 < 240s fusing	> 1h 不熔断 > 1h non fusing	< 1h 熔断 < 1h fusing

注: 后续标准更新, 不影响产品的性能和正常使用。  
Note: Subsequent standard updates will not affect the performance and normal use of the product.

时间 - 电流曲线图 / Time-current curve







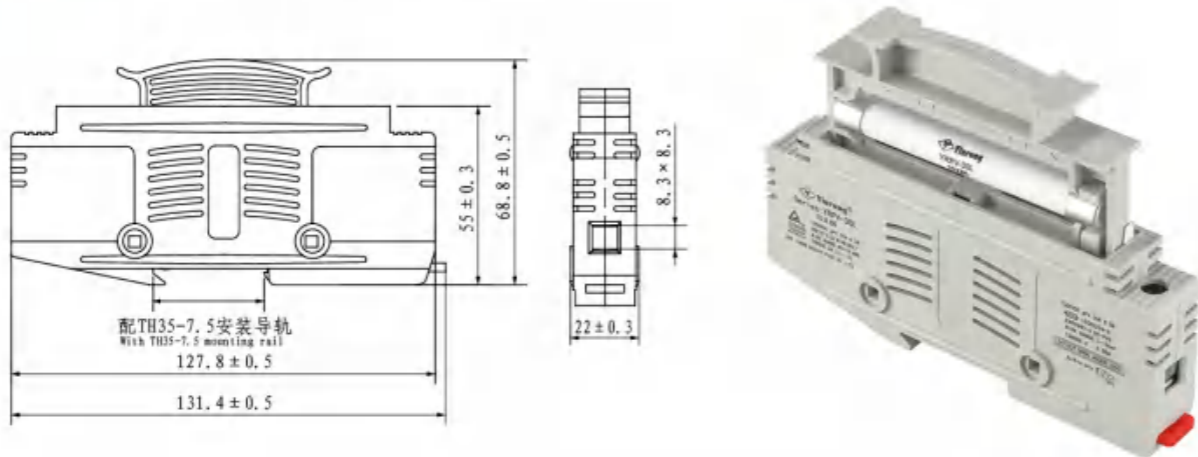
- 规格 / Specifications**
  - 额定电压 / Rated voltage: 1000Vdc/1500Vdc
  - 额定电流 / Rated current: 30A 35A
- 符合标准 / Standard**
  - IEC60269-6
  - UL4248-19
  - EN60947-3
- 典型应用 / Typical application**
  - 光伏汇流箱  
PV combiner box
- 产品特点 / Product features**
  - 进口尼龙材料, V0级阻燃, 耐高低温  
Imported nylon material, V0 flame retardant, high and low temperature resistance
  - ≥24h 盐雾试验, 耐酸性环境  
≥24h salt spray test, resistance to acid environment
  - 紫铜镀银接线端子, 温升低  
Silver-plated copper terminal blocks, low temperature rise

产品参数 / Product parameters

产品代码 Product code	额定电流 Rated current	分断能力 Breaking capacity	安全认证 / Safety certificate			配装熔断体型号尺码 Fitted with fuse-link model size	产品净重 Net weight
			△	CE	UL		
YRPV-30L	30A	1500Vdc	●	●	●	YRPV-30L (Φ10.3x85)mm	94.5g
YRPV-30L	35A	1500Vdc	●	●	○		
YRPV-30L	30A	1000Vdc	○	○	○		

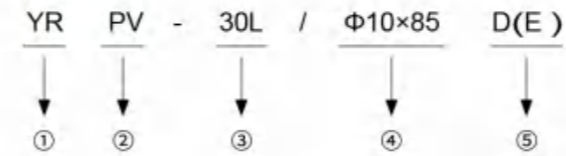
注: ●表示已取得安全认证; ○表示正在申请安全认证  
Note: ● Denotes for certification approved, ○ Denotes for pending certification

产品尺寸 (mm) / Product size (mm)



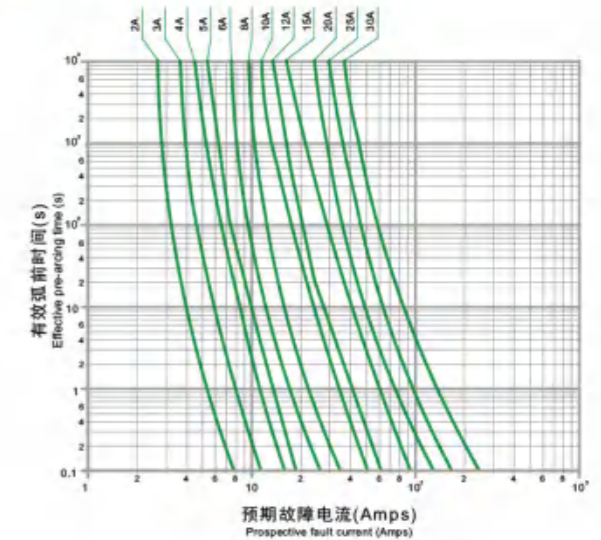
- 规格 / Specifications**
  - 额定电压 / Rated voltage: 1000Vdc / 1500Vdc
  - 额定电流 / Rated current: 2A~30A
  - 保护类别 / Protection category: gPV— 光伏系统全范围保护  
Full range protection of PV system
  - 分断能力 / Breaking capacity: 20kA
  - 时间常数 / Time constant: 1-3ms
- 符合标准 / Standard**
  - IEC60269-6
  - UL248-19
- 典型应用 / Typical application**
  - 光伏汇流箱 - 太阳能光伏组件保护  
PV combiner box - Solar PV module protection
- 产品特点 / Product features**
  - 温升功耗低, 使用寿命长  
Low temperature rise, low power consumption and long service life
  - 标准化尺寸, 结构紧凑  
Standardized size and compact structure

型号解释 / Model explanation

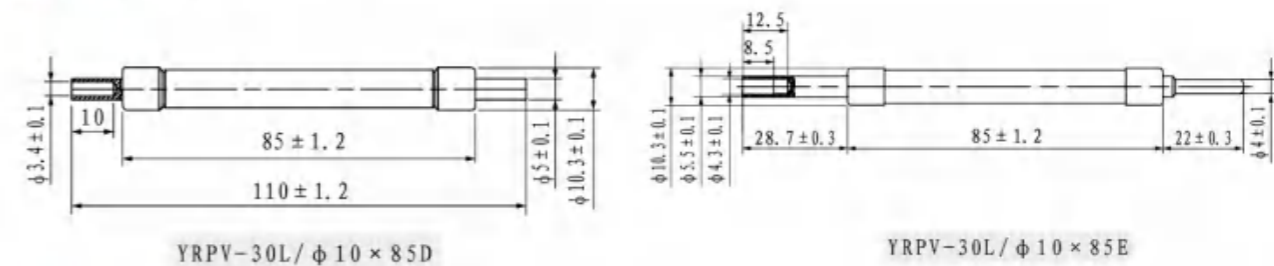


- ① ..... 银河熔断器代号 / Galaxy fuse code ..... YR
- ② ..... 光伏 / "Photovoltaic" ..... PV
- ③ ..... 熔断器最大额定电流 / Maximum rated current of fuse ..... 30A
- ④ ..... 熔断体尺寸代号 / Fuse size code ..... Φ10×85
- ⑤ ..... 外形结构代号 / Shape structure code ..... D、E

时间 - 电流曲线图 / Time-current curve



产品尺寸 (mm) / Product size (mm)





产品参数 / Product parameters

产品代码 Product code	额定电流 Rated current	分断能力 Breaking capacity	安全认证 / Safety certificate			功率损耗 Power loss 1.0In (W)	产品净重 Net weight
			$\Delta$	CE	$\text{UL}$		
YRPV30LD/02NF	2A	1500Vdc: 20kA	○	○	○	2.2	22.5g
YRPV30LD/03NF	3A		○	○	○	2.3	
YRPV30LD/04NF	4A		○	○	○	2.5	
YRPV30LD/05NF	5A		○	○	○	2.6	
YRPV30LD/06NF	6A		○	○	○	2.8	
YRPV30LD/08NF	8A		○	○	○	3.1	
YRPV30LD/10NF	10A		○	○	○	3.4	
YRPV30LD/12NF	12A		○	○	○	3.7	
YRPV30LD/15NF	15A		○	○	○	4.0	
YRPV30LD/20NF	20A		○	○	○	4.6	
YRPV30LD/25NF	25A		○	○	○	5.6	
YRPV30LD/30NF	30A		○	○	○	6.5	
YRPV30LE/02NF	2A		○	○	○	2.2	27g
YRPV30LE/03NF	3A		○	○	○	2.3	
YRPV30LE/04NF	4A		○	○	○	2.5	
YRPV30LE/05NF	5A		○	○	○	2.6	
YRPV30LE/06NF	6A		○	○	○	2.8	
YRPV30LE/08NF	8A		○	○	○	3.1	
YRPV30LE/10NF	10A		○	○	○	3.4	
YRPV30LE/12NF	12A		○	○	○	3.7	
YRPV30LE/15NF	15A	○	○	○	4.0		
YRPV30LE/20NF	20A	○	○	○	4.6		
YRPV30LE/25NF	25A	○	○	○	5.6		
YRPV30LE/30NF	30A	○	○	○	6.5		
YRPV30LD/LE	2-30A	DC1000V: 20kA	○	○	○	6.5	

注: ●表示已取得安全认证; ○表示正在申请安全认证  
Note: ● Denotes for certification approved; ○ Denotes for pending certification



规格 / Specifications

- 额定电压 / Rated voltage: 1000Vdc
- 额定电流 / Rated current: 2A~20A
- 保护类别 / Protection category: gPV— 光伏系统全范围保护  
Full range protection of PV system
- 分断能力 / Breaking capacity: 10kA
- 时间常数 / Time constant: 1-3ms

符合标准 / Standard

- IEC60269-6
- GB/T13539.6

典型应用 / Typical application

- 光伏发电路灯线路  
PV power circuit lamp circuit

产品特点 / Product features

- 温升功耗低, 使用寿命长  
Low temperature rise, low power consumption and long service life
- 标准化尺寸, 结构紧凑  
Standardized size and compact structure

适用支持件 & 底座 / Applicable holder & base

- YRPV-20 (X)

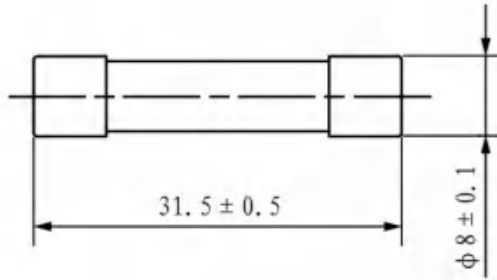
产品参数 / Product parameters

产品代码 Product code	额定电流 Rated current	分断能力 Breaking capacity	安全认证 / Safety certificate			功率损耗 Power loss 1.0In (W)	产品净重 Net weight
			$\Delta$	CE	$\text{UL}$		
YRPV20/02NF	2A	1000Vdc TUV&CE: 10kA	●	●	○	1.85	4.8g
YRPV20/03NF	3A		●	●	○	2.2	
YRPV20/05NF	5A		●	●	○	2.7	
YRPV20/06NF	6A		●	●	○	2.9	
YRPV20/08NF	8A		●	●	○	1.4	
YRPV20/10NF	10A		●	●	○	1.6	
YRPV20/12NF	12A		●	●	○	1.8	
YRPV20/15NF	15A		●	●	○	2.0	
YRPV20/20NF	20A		●	●	○	2.3	

注: ●表示已取得安全认证; ○表示正在申请安全认证  
Note: ● Denotes for certification approved; ○ Denotes for pending certification



产品尺寸 (mm) / Product size (mm)

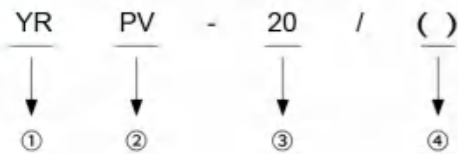


时间 - 电流特性 / Time-current characteristic

标准 / Standard: IEC60269-6 & GB/T 13539.6	
113% I <sub>n</sub>	145% I <sub>n</sub>
> 1h 不熔断 > 1h non fusing	< 1h 熔断 < 1h fusing

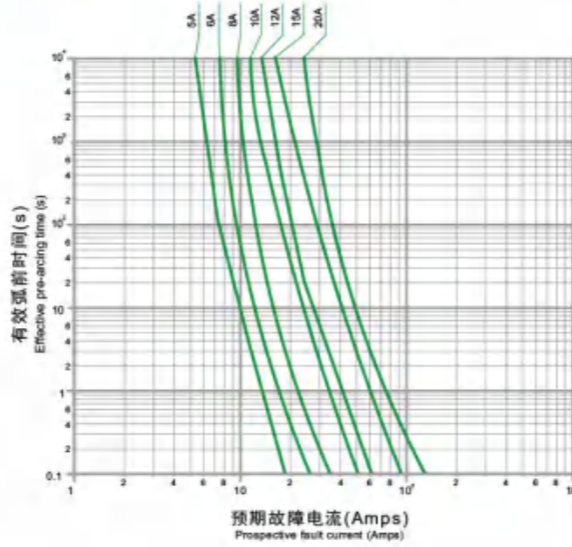
注: 后续标准更新, 不影响产品的性能和正常使用。  
Note: Subsequent standard updates will not affect the performance and normal use of the product.

型号解释 / Model explanation



- ① ..... 银河熔断器代号 / Galaxy fuse code ..... YR
- ② ..... 光伏 / "Photovoltaic" ..... PV
- ③ ..... 熔断器最大额定电流 / Maximum rated current of fuse ..... 40A
- ④ ..... 熔断体额定电流 / Rated current of fuse link ..... E.g.: 15A

时间 - 电流曲线图 / Time-current curve



认证证书 / Certification



规格 / Specifications

- 额定电压 / Rated voltage: 1000Vdc
- 额定电流 / Rated current: 20A

符合标准 / Standard

- IEC60269-6
- EN60947-3

典型应用 / Typical application

- 光伏发电电路灯线路  
PV power circuit lamp circuit

产品特点 / Product features

- 进口尼龙材料, V0 级阻燃, 耐高低温  
Imported nylon material, V0 flame retardant, high and low temperature resistance
- ≥24h 盐雾试验, 耐酸性环境  
≥24h salt spray test, resistance to acid environment
- 紫铜镀银接线端子, 温升低  
Silver-plated copper terminal blocks, low temperature rise

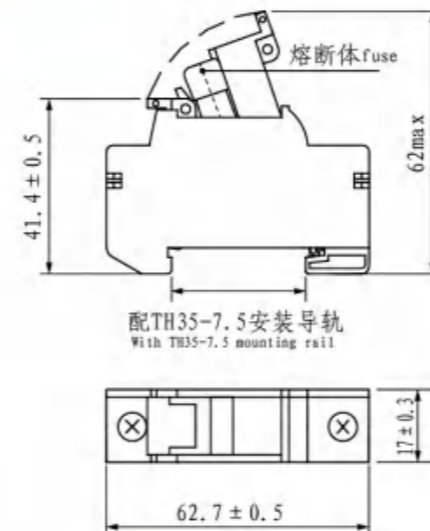


产品参数 / Product parameters

产品代码 Product code	额定电流 Rated current	额定电压 Rated voltage	安全认证 / Safety certificate			装配熔断体型号尺码 Fitted with fuse-link model size	产品净重 Net weight
			△	CE	UL		
YRPV-20	20A	1000Vdc	•	•	○	YRPV-20 (Φ8x31.5mm)	37.5g
YRPV-20X	20A		•	•	○		

注: • 表示已取得安全认证; ○ 表示正在申请安全认证  
Note: • Denotes for certification approved; ○ Denotes for pending certification

产品尺寸 (mm) / Product size (mm)







规格 / Specifications

- 额定电压 / Rated voltage: 1500Vdc
- 额定电流 / Rated current: 2A~35A
- 保护类别 / Protection category: gPV— 光伏系统全范围保护  
Full range protection of PV system
- 分断能力 / Breaking capacity: 35kA
- 时间常数 / Time constant: 1-3ms

符合标准 / Standard

- IEC60269-6
- GB/T 13539.6

典型应用 / Typical application

- 光伏汇流箱 - 太阳能光伏组件保护  
PV combiner box - Solar PV module protection

产品特点 / Product features

- 温升功耗低, 使用寿命长  
Low temperature rise, low power consumption and long service life
- 标准化尺寸, 结构紧凑  
Standardized size and compact structure

适用支持件 & 底座 / Applicable holder & base

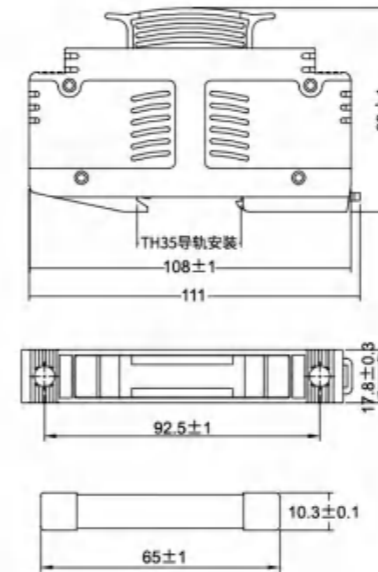
- YRPV-35

产品参数 / Product parameters

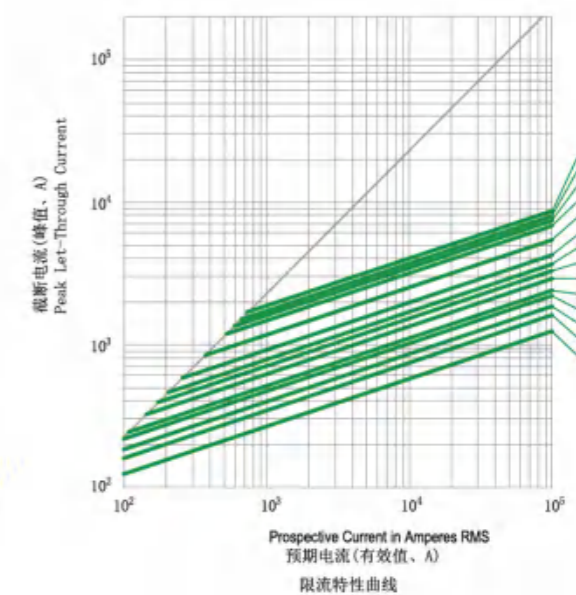
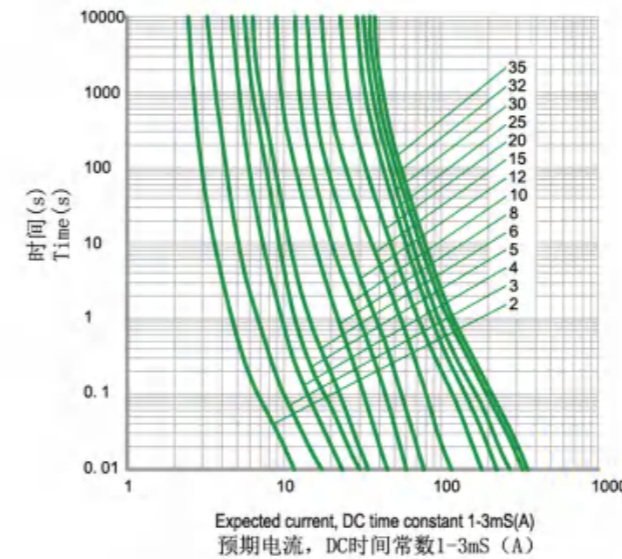
产品代码 Product code	额定电流 Rated current	分断能力 Breaking capacity	安全认证 / Safety certificate			功率损耗 Power loss 1.0In (W)	产品净重 Net weight
			△	CE	UL		
YRPV-2A	2A	1500Vdc 35kA	•	•	○	1.2	
YRPV-3A	3A		•	•	○	1.5	
YRPV-4A	4A		•	•	○	1.8	
YRPV-5A	5A		•	•	○	2.1	
YRPV-6A	6A		•	•	○	2.3	
YRPV-8A	8A		•	•	○	2.5	
YRPV-10A	10A		•	•	○	2.8	
YRPV-12A	12A		•	•	○	3.2	
YRPV-15A	15A		•	•	○	3.9	
YRPV-16A	16A		•	•	○	4.0	
YRPV-20A	20A		•	•	○	4.7	
YRPV-25A	25A		•	•	○	5.5	
YRPV-30A	30A		•	•	○	6.1	
YRPV-32A	32A		•	•	○	6.5	
YRPV-35A	35A		•	•	○	6.8	

注: • 表示已取得安全认证; ○ 表示正在申请安全认证  
Note: • Denotes for certification approved; ○ Denotes for pending certification

产品尺寸 (mm) / Product size (mm)



时间 - 电流曲线图 / Time-current curve







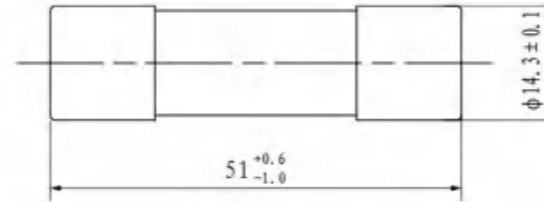
- 规格 / Specifications**
  - 额定电压 / Rated voltage: 1000Vdc /1500Vdc
  - 额定电流 / Rated current: 10A~40A
  - 保护类别 / Protection category: gPV— 光伏系统全范围保护  
Full range protection of PV system
  - 分断能力 / Breaking capacity: 25kA
  - 时间常数 / Time constant: 1-3ms
- 符合标准 / Standard**
  - IEC60269-6
  - GB/T13539.6
- 典型应用 / Typical application**
  - 光伏汇流箱 - 太阳能光伏组件保护  
PV combiner box - Solar PV module protection
- 产品特点 / Product features**
  - 温升功耗低, 使用寿命长  
Low temperature rise, low power consumption and long service life
  - 标准化尺寸, 结构紧凑  
Standardized size and compact structure
- 适用支持件 & 底座 / Applicable holder & base**
  - YRPV-40

产品参数 / Product parameters

产品代码 Product code	额定电流 Rated current	分断能力 Breaking capacity	安全认证 / Safety certificate			功率损耗 Power loss 1.0In (W)	产品净重 Net weight
			△	CE	UL		
YRPV40/10NF	10A	1500Vdc TUV&CE: 25kA	●	●	○	1.7	24.5g
YRPV40/12NF	12A		●	●	○	2.0	
YRPV40/15NF	15A		●	●	○	2.5	
YRPV40/20NF	20A		●	●	○	3.0	
YRPV40/25NF	25A		●	●	○	3.9	
YRPV40/32NF	32A		●	●	○	5.0	
YRPV40/40NF	40A		●	●	○	6.3	
YRPV40NF	10-40A	1000Vdc: 25kA	○	○	○	6.3	

注: ●表示已取得安全认证; ○表示正在申请安全认证  
Note: ● Denotes for certification approved; ○ Denotes for pending certification

产品尺寸 (mm) / Product size (mm)

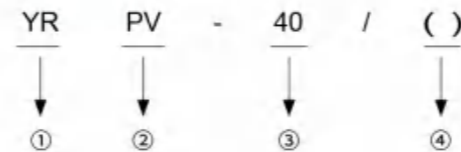


时间 - 电流特性 / Time-current characteristic

标准 / Standard: IEC60269-6 & GB/T 13539.6	
113% In	145% In
> 1h 不熔断 > 1h non fusing	< 1h 熔断 < 1h fusing

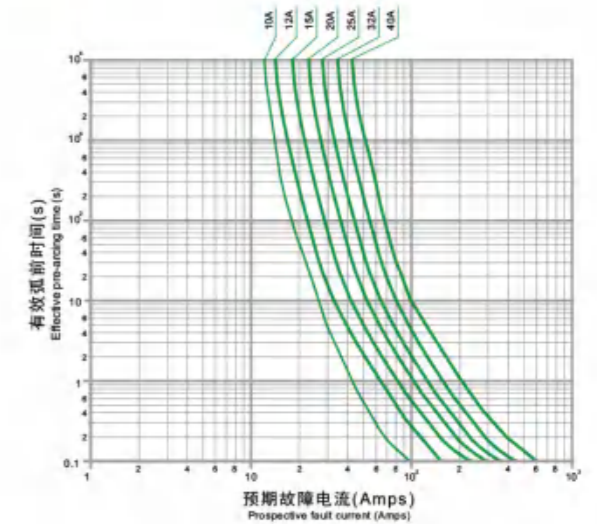
注: 后续标准更新, 不影响产品的性能和正常使用。  
Note: Subsequent standard updates will not affect the performance and normal use of the product.

型号解释 / Model explanation



- ① ..... 银河熔断器代号 / Galaxy fuse code ..... YR
- ② ..... 光伏 / "Photovoltaic" ..... PV
- ③ ..... 熔断器最大额定电流 / Maximum rated current of fuse ..... 40A
- ④ ..... 熔断体额定电流 / Rated current of fuse link ..... E.g :15A

时间 - 电流曲线图 / Time-current curve



认证证书 / Certification







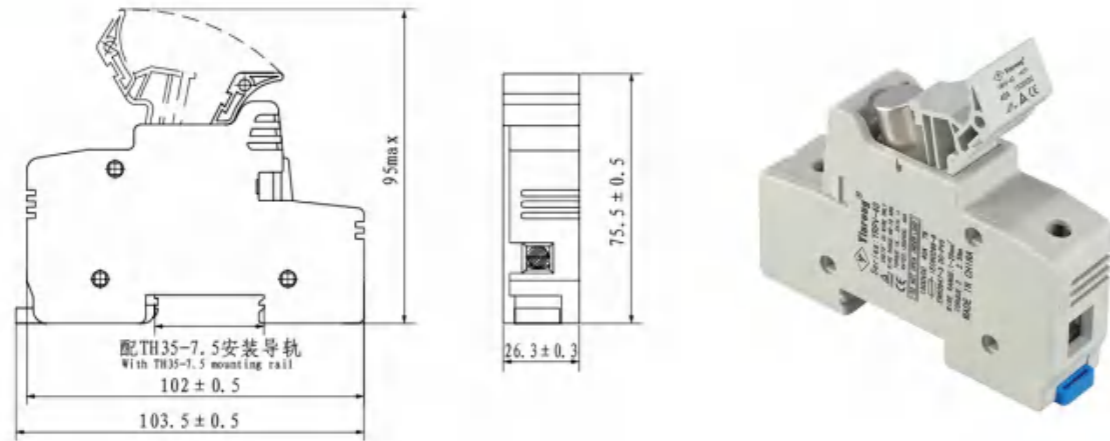
- 规格 / Specifications**
  - 额定电压 / Rated voltage: 1000Vdc / 1500Vdc
  - 额定电流 / Rated current: 40A
- 符合标准 / Standard**
  - IEC60269-6
  - EN60947-3
- 典型应用 / Typical application**
  - 光伏汇流箱  
PV combiner box
- 产品特点 / Product features**
  - 进口尼龙材料, V0 级阻燃, 耐高低温  
Imported nylon material, V0 flame retardant, high and low temperature resistance
  - ≥24h 盐雾试验, 耐酸性环境  
≥24h salt spray test, resistance to acid environment
  - 紫铜镀银接线端子, 温升低  
Silver-plated copper terminal blocks, low temperature rise

产品参数 / Product parameters

产品代码 Product code	额定电流 Rated current	额定电压 Rated voltage	安全认证 / Safety certificate			适配熔断体型号尺寸 Fitted with fuse-link model size	产品净重 Net weight
			△	CE	UL		
YRPV-40	40A	1500Vdc	●	●	○	YRPV-40 (Φ14.3x51)mm	110.5g
YRPV-40	40A	1000Vdc	○	○	○		

注: ●表示已取得安全认证; ○表示正在申请安全认证  
Note: ● Denotes for certification approved; ○ Denotes for pending certification

产品尺寸 (mm) / Product size (mm)



- 规格 / Specifications**
  - 额定电压 / Rated voltage: 1000Vdc / 1500Vdc
  - 额定电流 / Rated current: 10A~63A
  - 保护类别 / Protection category: gPV— 光伏系统全范围保护  
Full range protection of PV system
  - 分断能力 / Breaking capacity: 25kA
  - 时间常数 / Time constant: 1-3ms
- 符合标准 / Standard**
  - UL248-19
- 典型应用 / Typical application**
  - 光伏汇流箱 - 太阳能光伏组件保护  
PV combiner box - Solar PV module protection
- 产品特点 / Product features**
  - 温升功耗低, 使用寿命长  
Low temperature rise, low power consumption and long service life
  - 标准化尺寸, 结构紧凑  
Standardized size and compact structure
- 适用支持件 & 底座 / Applicable holder & base**
  - YRPV-63

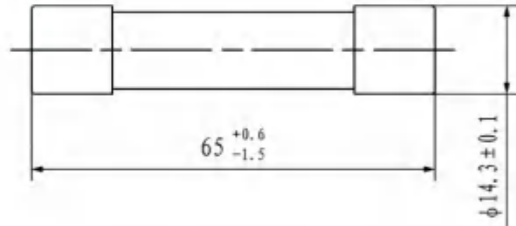
产品参数 / Product parameters

产品代码 Product code	额定电流 Rated current	分断能力 Breaking capacity	安全认证 / Safety certificate			功率损耗 Power loss 1.0In (W)	产品净重 Net weight
			△	CE	UL		
YRPV63/10NF	10A	1500Vdc UL: 25kA	○	○	●	4.7	31g
YRPV63/15NF	15A		○	○	●	3.9	
YRPV63/20NF	20A		○	○	●	4.3	
YRPV63/25NF	25A		○	○	●	5.6	
YRPV63/32NF	32A		○	○	●	5.8	
YRPV63/40NF	40A		○	○	●	7.0	
YRPV63/50NF	50A		○	○	●	8.1	
YRPV63/63NF	63A		○	○	●	9.7	
YRPV63NF	63A	1000Vdc: 25kA	○	○	○	9.7	

注: ●表示已取得安全认证; ○表示正在申请安全认证  
Note: ● Denotes for certification approved; ○ Denotes for pending certification



产品尺寸 (mm) / Product size (mm)

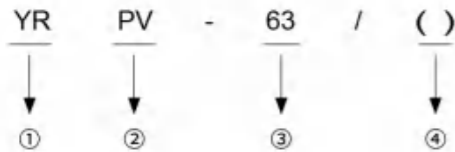


时间 - 电流特性 / Time-current characteristic

标准 / Standard: UL248-19		标准 / Standard: IEC60269-6	
135% I <sub>n</sub>	200% I <sub>n</sub>	113% I <sub>n</sub>	145% I <sub>n</sub>
< 1h 熔断 < 1h fusing	(0~30)A < 240s 熔断 < 240s fusing	(31~60)A < 360s 熔断 < 360s fusing	> 1h 不熔断 > 1h non fusing

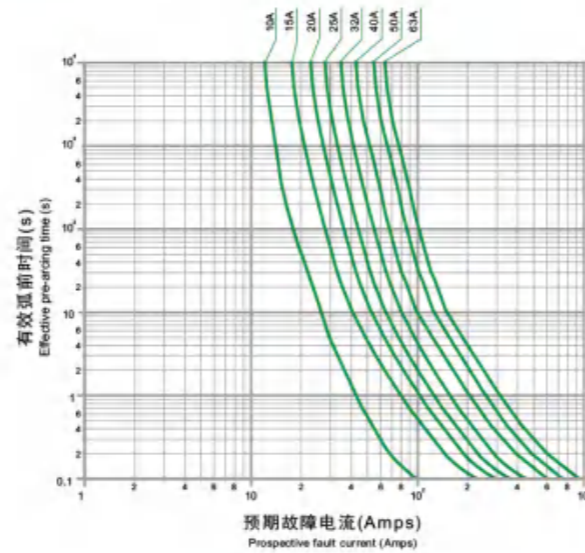
注: 后续标准更新, 不影响产品的性能和正常使用。  
Note: Subsequent standard updates will not affect the performance and normal use of the product.

型号解释 / Model explanation

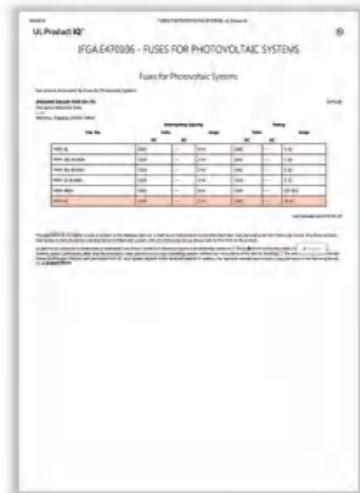


- ① ..... 银河熔断器代号 / Galaxy fuse code ..... YR
- ② ..... 光伏 / "Photovoltaic" ..... PV
- ③ ..... 熔断器最大额定电流 / Maximum rated current of fuse ..... 63A
- ④ ..... 熔断体额定电流 / Rated current of fuse link ..... E.g :15A

时间 - 电流曲线图 / Time-current curve



认证证书 / Certification



规格 / Specifications

- 额定电压 / Rated voltage: 1000Vdc /1500Vdc
- 额定电流 / Rated current: 63A

符合标准 / Standard

- UL4248-19

典型应用 / Typical application

- 光伏汇流箱  
PV combiner box

产品特点 / Product features

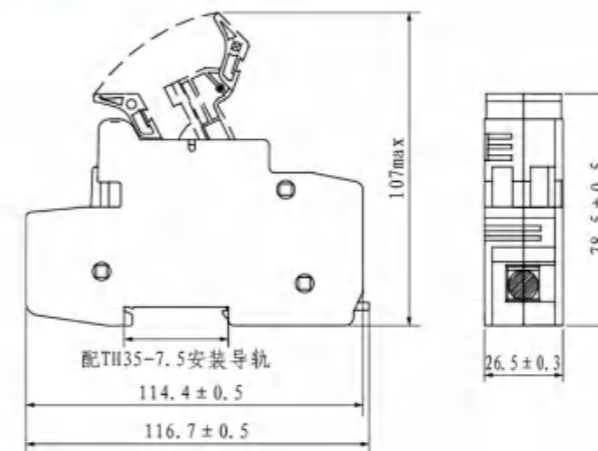
- 进口尼龙材料, V0 级阻燃, 耐高低温  
Imported nylon material, V0 flame retardant, high and low temperature resistance
- ≥24h 盐雾试验, 耐酸性环境  
≥24h salt spray test, resistance to acid environment
- 紫铜镀银接线端子, 温升低  
Silver-plated copper terminal blocks, low temperature rise

产品参数 / Product parameters

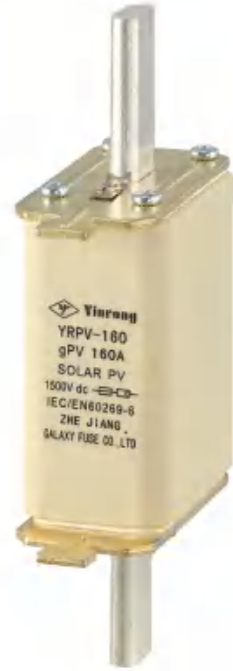
产品代码 Product code	额定电流 Rated current	额定电压 Rated voltage	安全认证 / Safety certificate			配套熔断体型号尺码 Fitted with fuse-link model size	产品净重 Net weight
			△	CE	UL		
YRPV-63	63A	1500Vdc	○	○	●	YRPV-63 (Φ14.3x65)mm	125.5g
YRPV-63	63A	1000Vdc	○	○	○		

注: ●表示已取得安全认证; ○表示正在申请安全认证  
Note: ● Denotes for certification approved; ○ Denotes for pending certification

产品尺寸 (mm) / Product size (mm)





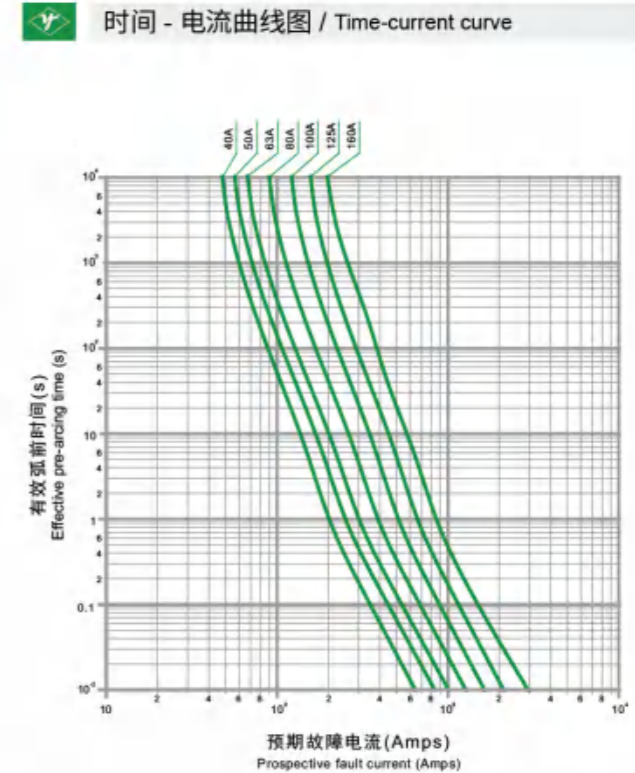
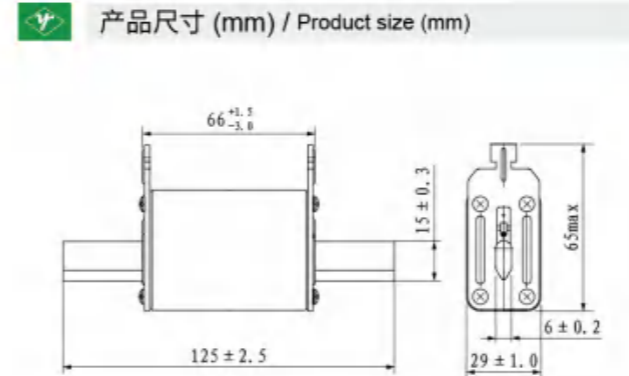


- 规格 / Specifications**
  - 额定电压 / Rated voltage: 1000Vdc/1500Vdc
  - 额定电流 / Rated current: 40A~160A
  - 保护类别 / Protection category: gPV— 光伏系统全范围保护  
Full range protection of PV system
  - 分断能力 / Breaking capacity: 20kA
  - 时间常数 / Time constant: 1-3ms
- 符合标准 / Standard**
  - IEC60269-6
  - GB/T13539.6
- 典型应用 / Typical application**
  - 保护光伏汇流箱和隔离开关, 分断 PV 阵列产生的故障过载电流。  
Protecting the PV combiner box, isolating switch and inverter, and breaking the fault overload current generated by the PV array.
- 产品特点 / Product features**
  - 温升功耗低, 使用寿命长  
Low temperature rise, low power consumption and long service life
  - 标准化尺寸, 结构紧凑  
Standardized size and compact structure
- 适用支持件 & 底座 / Applicable holder & base**
  - YRPV-160

产品参数 / Product parameters

产品代码 Product code	额定电流 Rated current	分断能力 Breaking capacity	安全认证 / Safety certificate			功率损耗 Power loss 1.0In (W)	产品净重 Net weight
			△	CE	UL		
YRPV160/40NH	40A	1000Vdc TUV&CE: 20kA	●	●	○	5.5	0.275kg
YRPV160/50NH	50A		●	●	○	6.2	
YRPV160/63NH	63A		●	●	○	7.0	
YRPV160/80NH	80A		●	●	○	8.4	
YRPV160/100NH	100A		●	●	○	10.8	
YRPV160/125NH	125A		●	●	○	13.6	
YRPV160/160NH	160A		●	●	○	17.4	
YRPV160NH	40-160A	1500Vdc: 20kA	○	○	○	17.4	

注: ●表示已取得安全认证; ○表示正在申请安全认证  
Note: ● Denotes for certification approved; ○ Denotes for pending certification



- 型号解释 / Model explanation**
- YR PV - 160 / ( )
- ① 银河熔断器代号 / Galaxy fuse code
  - ② 光伏 / "Photovoltaic"
  - ③ 熔断器最大额定电流 / Maximum rated current of fuse
  - ④ 熔断体额定电流 / Rated current of fuse link

认证证书 / Certification







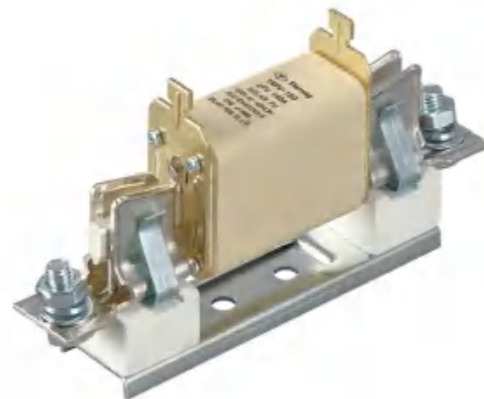
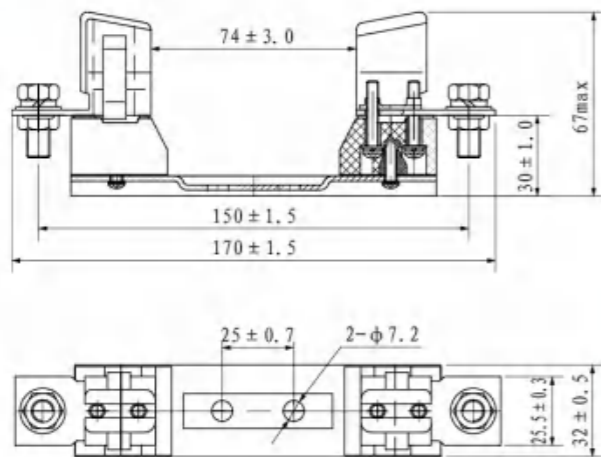
- 规格 / Specifications**
  - 额定电压 / Rated voltage: 1000Vdc/1500Vdc
  - 额定电流 / Rated current: 160A
- 符合标准 / Standard**
  - IEC60269-6
  - EN60269-6
- 产品特点 / Product features**
  - ≥24h 盐雾试验, 耐酸性环境  
≥24h salt spray test, resistance to acid environment
  - 紫铜镀银接线端子, 温升低  
Silver-plated copper terminal blocks, low temperature rise

产品参数 / Product parameters

产品代码 Product code	额定电流 Rated current	额定电压 Rated voltage	安全认证 / Safety certificate			配套熔断体型号尺码 Fitted with fuse-link model size	产品净重 Net weight
			△	CE	UL		
YRPV-160	160A	1000Vdc / 1500Vdc	○	○	○	YRPV-160	0.322kg

注: ●表示已取得安全认证; ○表示正在申请安全认证  
Note: ● Denotes for certification approved; ○ Denotes for pending certification

产品尺寸 (mm) / Product size (mm)



- 规格 / Specifications**
  - 额定电压 / Rated voltage: 1000Vdc / 1500Vdc
  - 额定电流 / Rated current: 80A~250A
  - 保护类别 / Protection category: gPV— 光伏系统全范围保护  
Full range protection of PV system
  - 分断能力 / Breaking capacity: 25kA
  - 时间常数 / Time constant: 1-3ms
- 符合标准 / Standard**
  - IEC60269-6
  - GB/T13539.6
- 典型应用 / Typical application**
  - 保护光伏汇流箱和隔离开关、逆变器, 分断 PV 阵列产生的故障过载电流。  
Protecting the PV combiner box, isolating switch and inverter, and breaking the fault overload current generated by the PV array.
- 产品特点 / Product features**
  - 纯银熔体, 镀银外盖, 温升功耗低  
Pure silver melt, silver-plated cover, low temperature rise and power consumption
  - 标准化尺寸, 结构紧凑  
Standardized size and compact structure
- 适用支持件 & 底座 / Applicable holder & base**
  - YRPV-250D

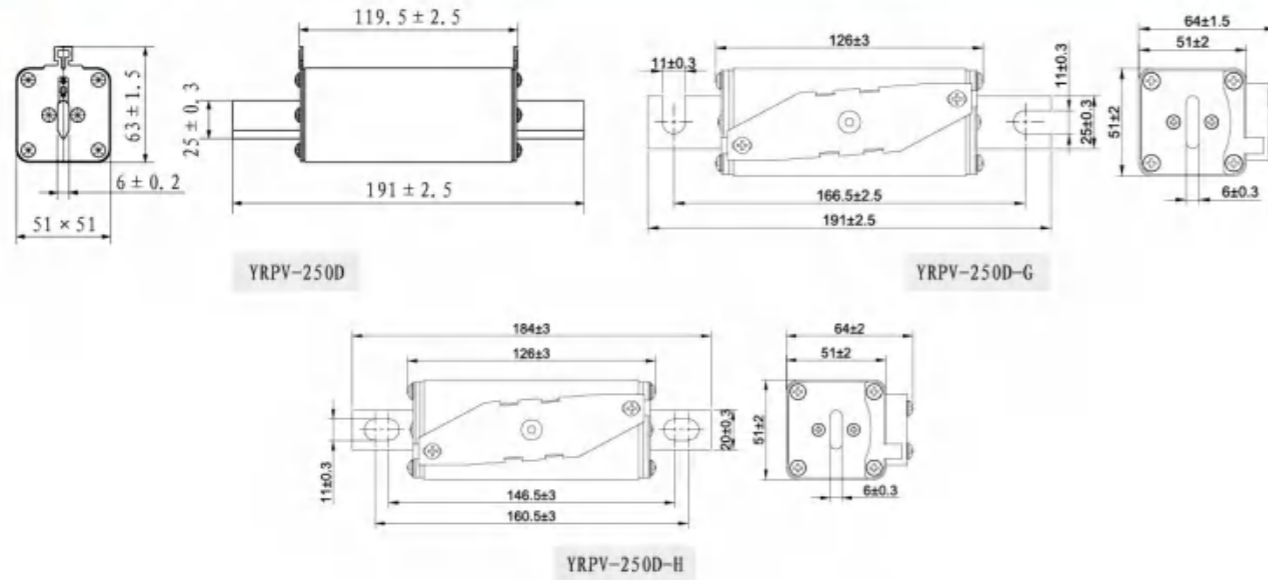
产品参数 / Product parameters

产品代码 Product code	额定电流 Rated current	分断能力 Breaking capacity	安全认证 / Safety certificate			功率损耗 Power loss 1.0In (W)	产品净重 Net weight
			△	CE	UL		
YRPV250D/80NH	80A	1000Vdc TUV&CE: 25kA	●	●	○	16.0	0.96kg
YRPV250D/100NH	100A		●	●	○	18.9	
YRPV250D/125NH	125A		●	●	○	21	
YRPV250D/160NH	160A		●	●	○	29.5	
YRPV250D/200NH	200A		●	●	○	34.6	
YRPV250D/250NH	250A		●	●	○	37.5	0.925kg
YRPV250(D)/80SH	80A		●	●	○	16.0	
YRPV250(D)/100SH	100A		●	●	○	18.9	
YRPV250(D)/125SH	125A		●	●	○	21	
YRPV250(D)/160SH	160A		●	●	○	29.5	
YRPV250(D)/200SH	200A	●	●	○	34.6	0.925kg	
YRPV250(D)/250SH	250A	●	●	○	37.5		
YRPV250DNA/SH	80-250A	1500Vdc	○	○	○	37.5	

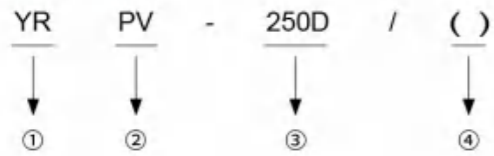
注: ●表示已取得安全认证; ○表示正在申请安全认证  
Note: ● Denotes for certification approved; ○ Denotes for pending certification



产品尺寸 (mm) / Product size (mm)

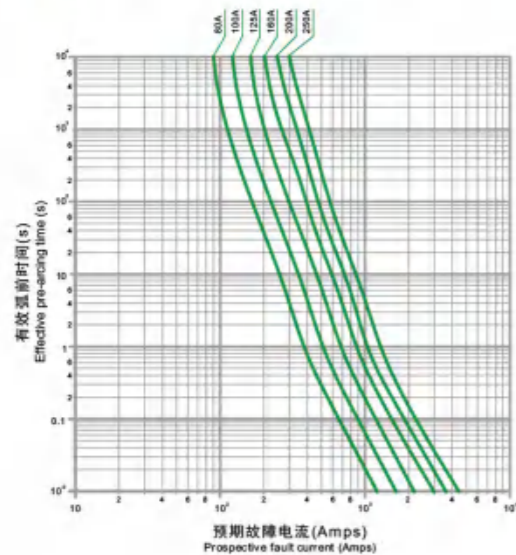


型号解释 / Model explanation



- ① ..... 银河熔断器代号 / Galaxy fuse code ..... YR
- ② ..... 光伏 / "Photovoltaic" ..... PV
- ③ ..... 熔断器最大额定电流 / Maximum rated current of fuse ..... 250A
- ④ ..... 熔断体额定电流 / Rated current of fuse link ..... E.g :200A

时间 - 电流曲线图 / Time-current curve



认证证书 / Certification



规格 / Specifications

- 额定电压 / Rated voltage: 1000Vdc/1500Vdc
- 额定电流 / Rated current: 250A

符合标准 / Standard

- IEC60269-1
- EN60269-6

产品特点 / Product features

- ≥24h 盐雾试验, 耐酸性环境  
≥24h salt spray test, resistance to acid environment
- 紫铜镀银接线端子, 温升低  
Silver-plated copper terminal blocks, low temperature rise

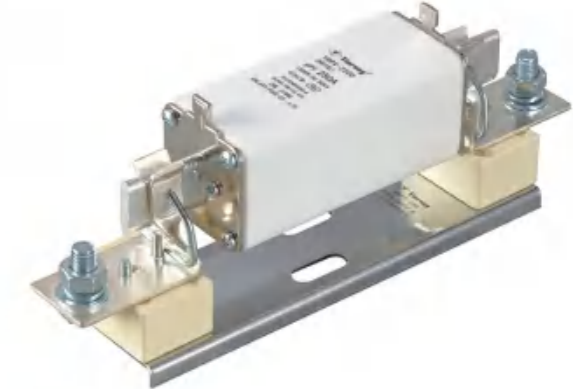
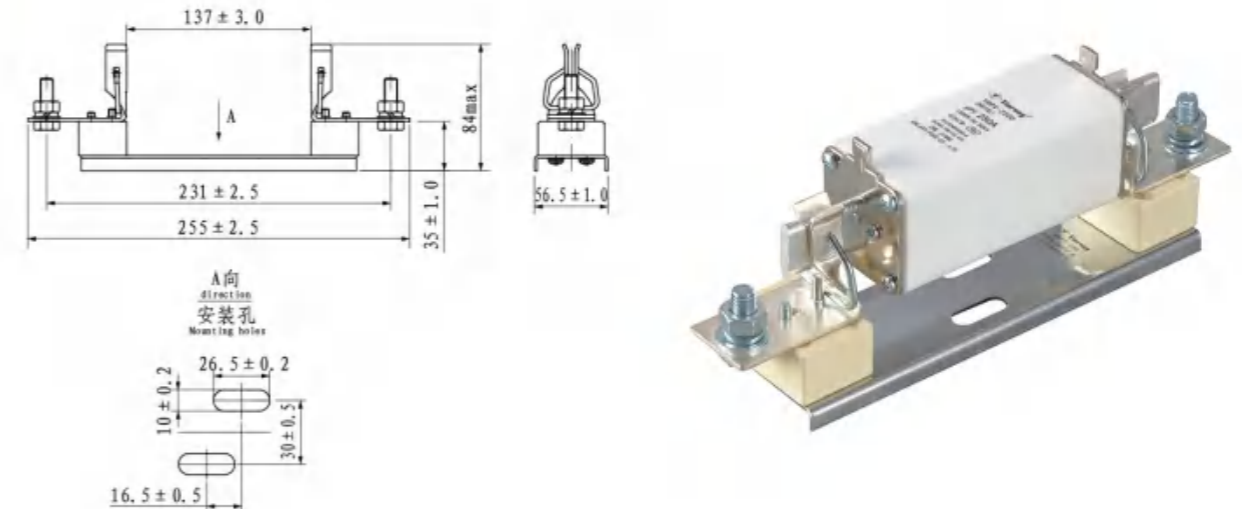


产品参数 / Product parameters

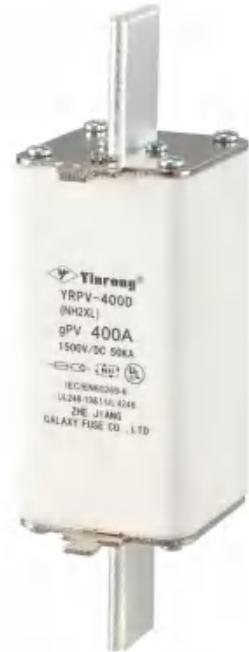
产品代码 Product code	额定电流 Rated current	额定电压 Rated voltage	安全认证 / Safety certificate			配装熔断体型号尺码 Fitted with fuse-link model size	产品净重 Net weight
			△	CE	UL		
YRPV-250D	250A	1000Vdc /1500Vdc	○	○	○	YRPV-250D	0.59kg

注: ●表示已取得安全认证; ○表示正在申请安全认证  
Note: ● Denotes for certification approved; ○ Denotes for pending certification

产品尺寸 (mm) / Product size (mm)





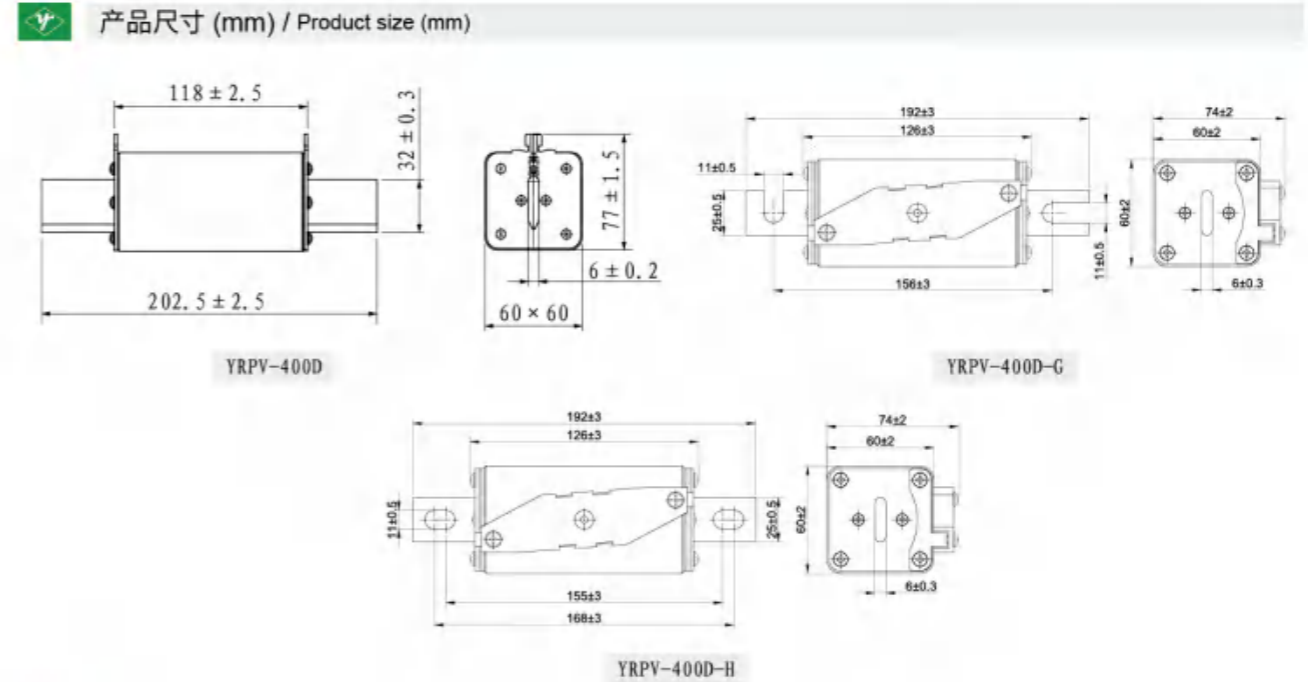


- 规格 / Specifications**
  - 额定电压 / Rated voltage: 1000Vdc/1500Vdc
  - 额定电流 / Rated current: 125A~400A
  - 保护类别 / Protection category: gPV— 光伏系统全范围保护  
Full range protection of PV system
  - 分断能力 / Breaking capacity: 30kA 50kA
  - 时间常数 / Time constant: 1-3ms
- 符合标准 / Standard**
  - IEC60269-6
  - GB/T13539.6
- 典型应用 / Typical application**
  - 保护光伏汇流箱和隔离开关、逆变器，分断 PV 阵列产生的故障过载电流。  
Protecting the PV combiner box, isolating switch and inverter, and breaking the fault overload current generated by the PV array.
- 产品特点 / Product features**
  - 温升功耗低，使用寿命长  
Low temperature rise, low power consumption and long service life
  - 标准化尺寸，结构紧凑  
Standardized size and compact structure
- 适用支持件 & 底座 / Applicable holder & base**
  - YRPV-400D

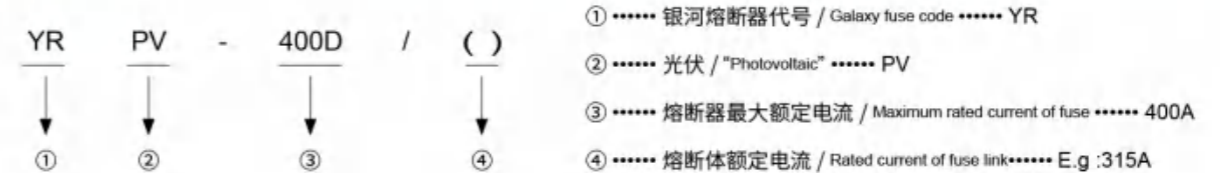
产品参数 / Product parameters

产品代码 Product code	额定电流 Rated current	分断能力 Breaking capacity	安全认证 / Safety certificate			功率损耗 Power loss 1.0In (W)	产品净重 Net weight
			△	CE	UL		
YRPV400(D)/125NH	125A	1000Vdc TUV&CE: 30kA	●	●	○	21.0	1.25kg
YRPV400(D)/160NH	160A		●	●	○	29.5	
YRPV400(D)/200NH	200A		●	●	○	35.6	
YRPV400(D)/250NH	250A		●	●	○	37.5	
YRPV400(D)/315NH	315A		●	●	○	46.3	
YRPV400(D)/350NH	350A		●	●	○	53.8	
YRPV400(D)/400NH	400A		●	●	○	62.4	
YRPV400D/225NH	225A	1500Vdc UL: 50kA	○	○	●	38.6	1.315kg
YRPV400D/250NH	250A		○	○	●	43.5	
YRPV400D/315NH	315A		○	○	●	52.3	
YRPV400D/355NH	355A		○	○	●	58.0	

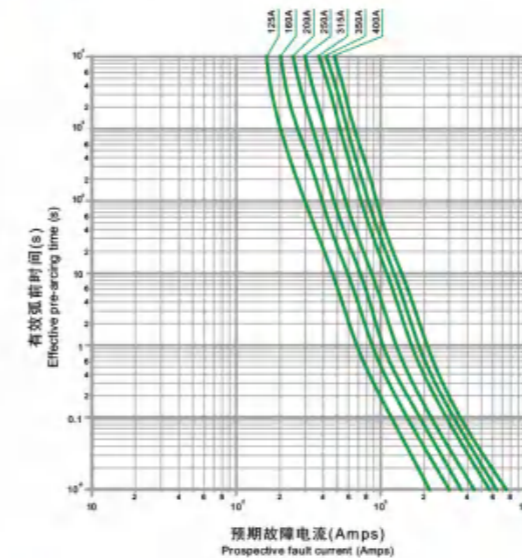
注: ●表示已取得安全认证; ○表示正在申请安全认证  
Note: ● Denotes for certification approved; ○ Denotes for pending certification



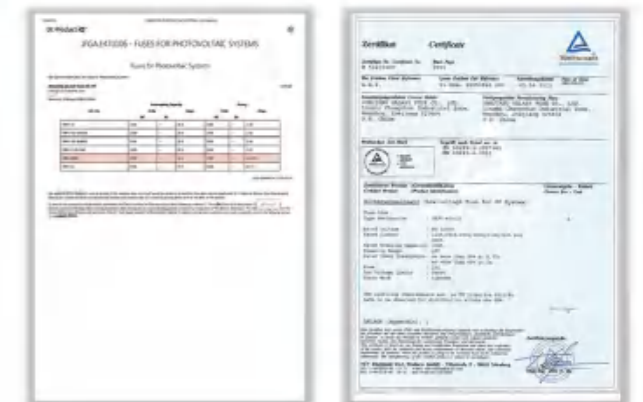
型号解释 / Model explanation



时间 - 电流曲线图 / Time-current curve



认证证书 / Certification







规格 / Specifications

- 额定电压 / Rated voltage: 1000Vdc/1500Vdc
- 额定电流 / Rated current: 400A

符合标准 / Standard

- IEC60269-6
- EN60269-6

产品特点 / Product features

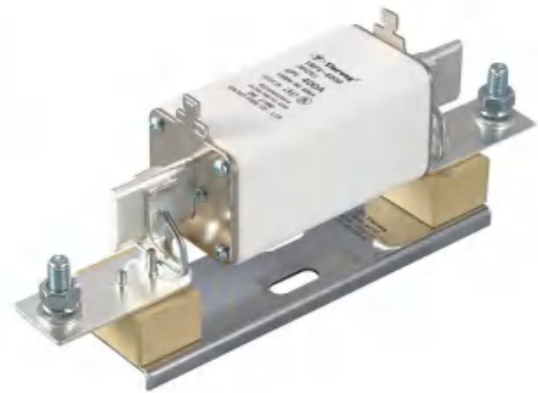
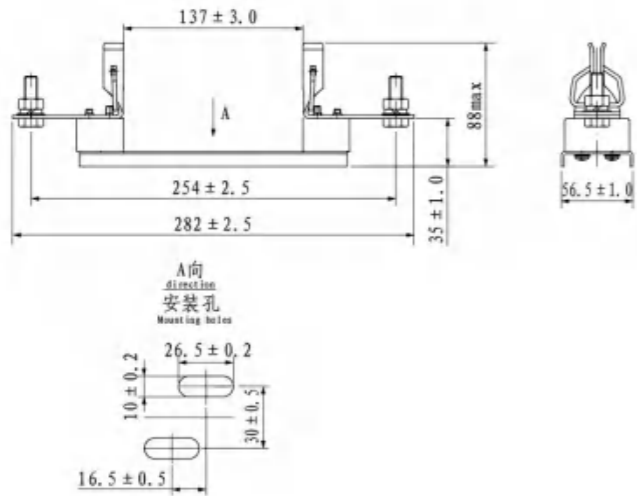
- ≥24h 盐雾试验, 耐酸性环境  
≥24h salt spray test, resistance to acid environment
- 紫铜镀银接线端子, 温升低  
Silver-plated copper terminal blocks, low temperature rise

产品参数 / Product parameters

产品代码 Product code	额定电流 Rated current	额定电压 Rated voltage	安全认证 / Safety certificate			配套熔断体型号尺码 Fitted with fuse-link model size	产品净重 Net weight
			△	CE	UL		
YRPV-400D	400A	1000Vdc / 1500Vdc	○	○	○	YRPV-400D	0.685kg

注: ●表示已取得安全认证; ○表示正在申请安全认证  
Note: ● Denotes for certification approved, ○ Denotes for pending certification

产品尺寸 (mm) / Product size (mm)



规格 / Specifications

- 额定电压 / Rated voltage: 1000Vdc/1500Vdc
- 额定电流 / Rated current: 315A~630A
- 保护类别 / Protection category: gPV— 光伏系统全范围保护  
Full range protection of PV system
- 分断能力 / Breaking capacity: 20kA
- 时间常数 / Time constant: 1-3ms

符合标准 / Standard

- IEC60269-6
- GB/T13539.6

典型应用 / Typical application

- 保护光伏汇流箱和隔离开关、逆变器, 分断 PV 阵列产生的故障过载电流。  
Protecting the PV combiner box, isolating switch and inverter, and breaking the fault overload current generated by the PV array.

产品特点 / Product features

- 温升功耗低, 使用寿命长  
Low temperature rise, low power consumption and long service life
- 标准化尺寸, 结构紧凑  
Standardized size and compact structure

适用支持件 & 底座 / Applicable holder & base

- YRPV-630D

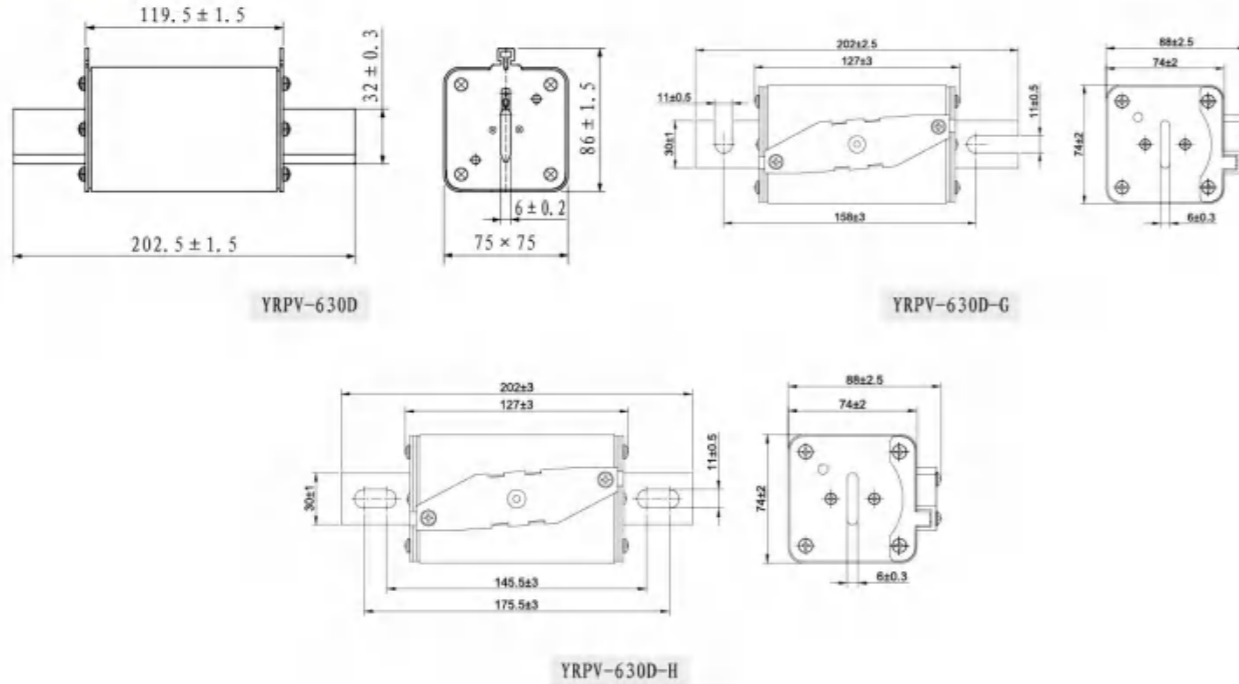
产品参数 / Product parameters

产品代码 Product code	额定电流 Rated current	分断能力 Breaking capacity	安全认证 / Safety certificate			功率损耗 Power loss 1.0In (W)	产品净重 Net weight
			△	CE	UL		
YRPV630D/315NH	315A	1000Vdc / 1500Vdc: 20kA	○	○	○	44.4	1.35kg
YRPV630D/350NH	350A		○	○	○	52.3	
YRPV630D/400NH	400A		○	○	○	58.2	
YRPV630D/500NH	500A		○	○	○	52.5	
YRPV630D/630NH	630A		○	○	○	91.9	

注: ●表示已取得安全认证; ○表示正在申请安全认证  
Note: ● Denotes for certification approved, ○ Denotes for pending certification



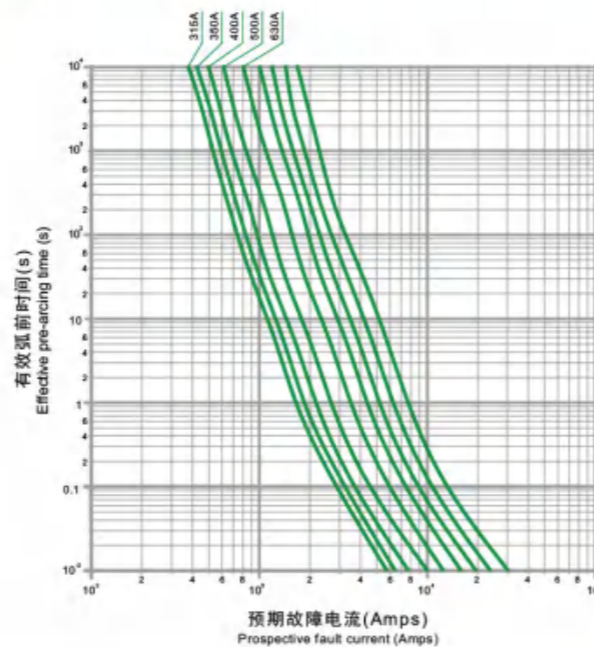
产品尺寸 (mm) / Product size (mm)



型号解释 / Model explanation

- YR PV - 630D / ( )
- ① 银河熔断器代号 / Galaxy fuse code ..... YR
- ② 光伏 / "Photovoltaic" ..... PV
- ③ 熔断器最大额定电流 / Maximum rated current of fuse ..... 630A
- ④ 熔断体额定电流 / Rated current of fuse link ..... E.g :500A

时间 - 电流曲线图 / Time-current curve

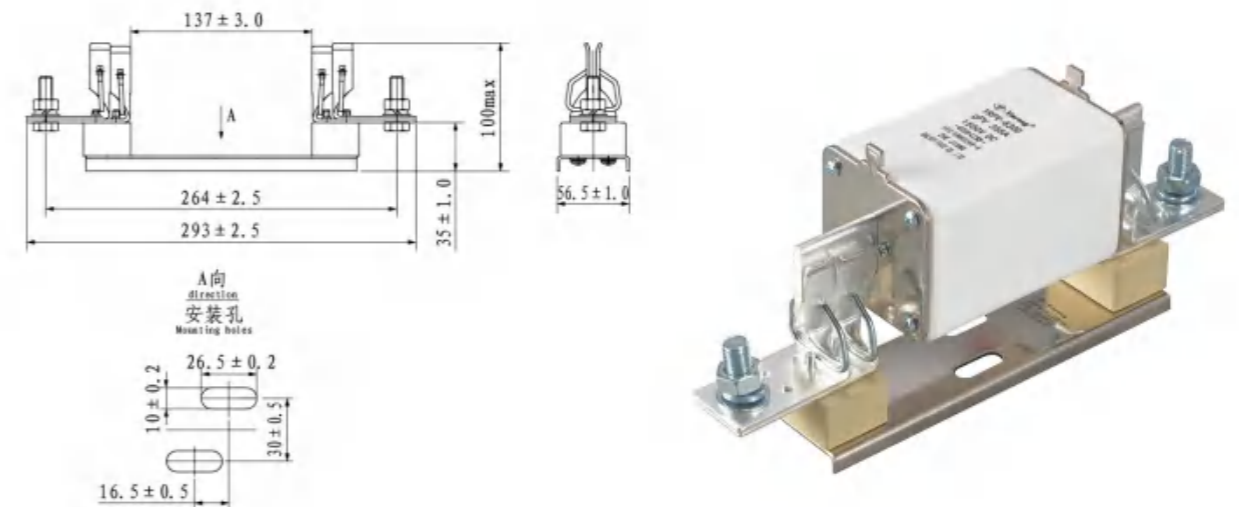


产品参数 / Product parameters

产品代码 Product code	额定电流 Rated current	额定电压 Rated voltage	安全认证 / Safety certificate			配套熔断体型号尺码 Fitted with fuse-link model size	产品净重 Net weight
			△	CE	UL		
YRPV-630D	630A	1000Vdc / 1500Vdc	○	○	○	YRPV-630D	0.93kg

注: ●表示已取得安全认证; ○表示正在申请安全认证  
Note: ● Denotes for certification approved; ○ Denotes for pending certification

产品尺寸 (mm) / Product size (mm)



规格 / Specifications

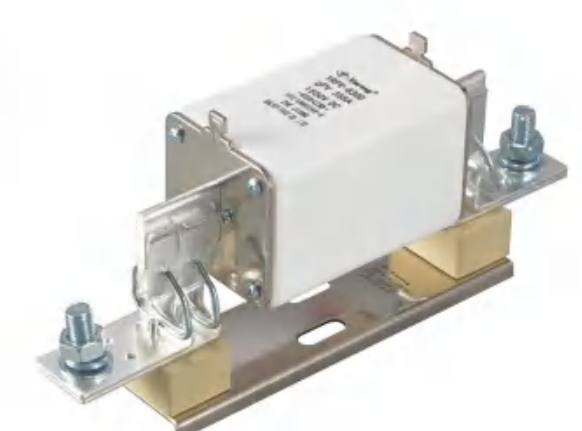
- 额定电压 / Rated voltage: 1000Vdc/1500Vdc
- 额定电流 / Rated current: 630A

符合标准 / Standard

- IEC60269-1
- EN60269-6

产品特点 / Product features

- ≥24h 盐雾试验, 耐酸性环境  
≥24h salt spray test, resistance to acid environment
- 紫铜镀银接线端子, 温升低  
Silver-plated copper terminal blocks, low temperature rise







规格 / Specifications

- 额定电压 / Rated voltage: 1000Vdc/1500Vdc
- 额定电流 / Rated current: 500A~1250A
- 保护类别 / Protection category: gPV— 光伏系统全范围保护  
Full range protection of PV system
- 分断能力 / Breaking capacity: 50kA
- 时间常数 / Time constant: 1-3ms

符合标准 / Standard

- IEC60269-6
- GB/T13539.6

典型应用 / Typical application

- 保护光伏汇流箱和隔离开关、逆变器，分断 PV 阵列产生的故障过载电流。  
Protecting the PV combiner box, isolating switch and inverter, and breaking the fault overload current generated by the PV array.

产品特点 / Product features

- 温升功耗低，使用寿命长  
Low temperature rise, low power consumption and long service life
- 标准化尺寸，结构紧凑  
Standardized size and compact structure

适用支持件 & 底座 / Applicable holder & base

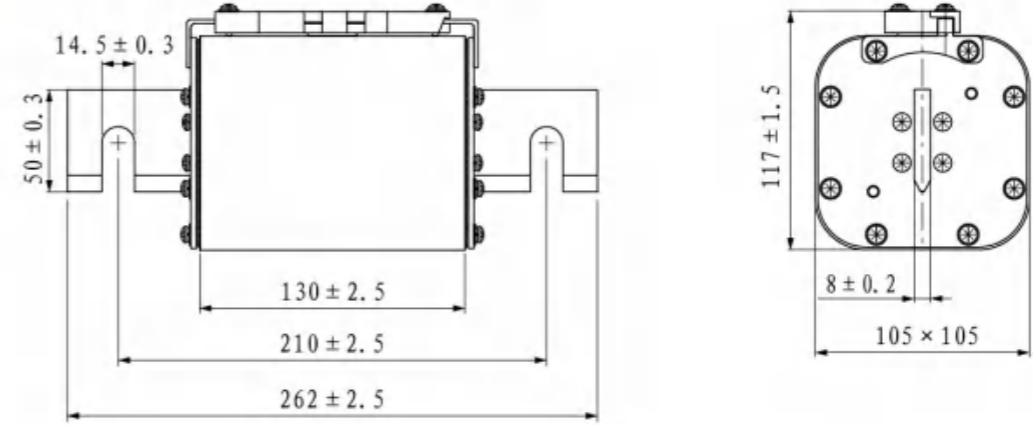
- YRPV-1250D

产品参数 / Product parameters

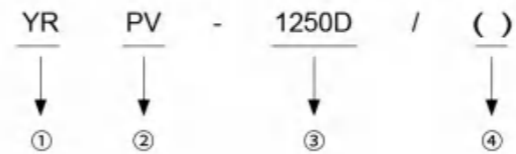
产品代码 Product code	额定电流 Rated current	分断能力 Breaking capacity	安全认证 / Safety certificate			功率损耗 Power loss 1.0In (W)	产品净重 Net weight
			△	CE	UL		
YRPV1250D/500NH	500A	1000Vdc/ 1500Vdc: 50kA	○	○	○	61	3.8kg
YRPV1250D/630NH	630A		○	○	○	73	
YRPV1250D/800NH	800A		○	○	○	88	
YRPV1250D/900NH	900A		○	○	○	100	
YRPV1250D/1000NH	1000A		○	○	○	112	
YRPV1250D/1250NH	1250A		○	○	○	125	

注：●表示已取得安全认证；○表示正在申请安全认证  
Note: ● Denotes for certification approved; ○ Denotes for pending certification

产品尺寸 (mm) / Product size (mm)

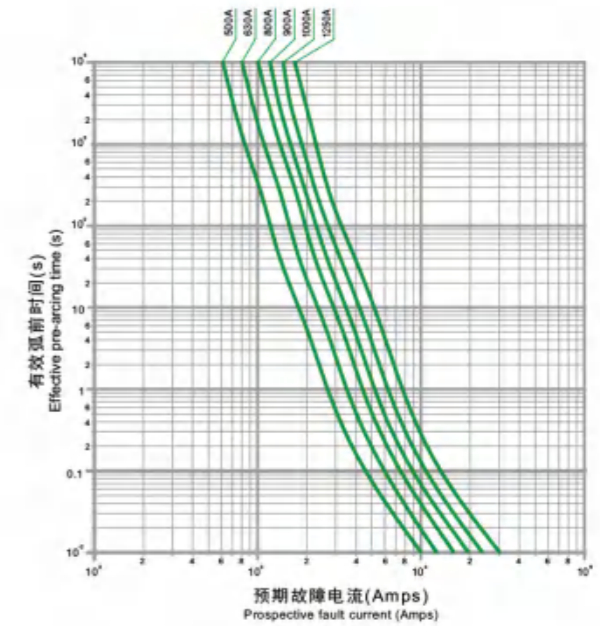


型号解释 / Model explanation



- ① ..... 银河熔断器代号 / Galaxy fuse code ..... YR
- ② ..... 光伏 / "Photovoltaic" ..... PV
- ③ ..... 熔断器最大额定电流 / Maximum rated current of fuse ..... 1250A
- ④ ..... 熔断体额定电流 / Rated current of fuse link ..... E.g :1000A

时间 - 电流曲线图 / Time-current curve







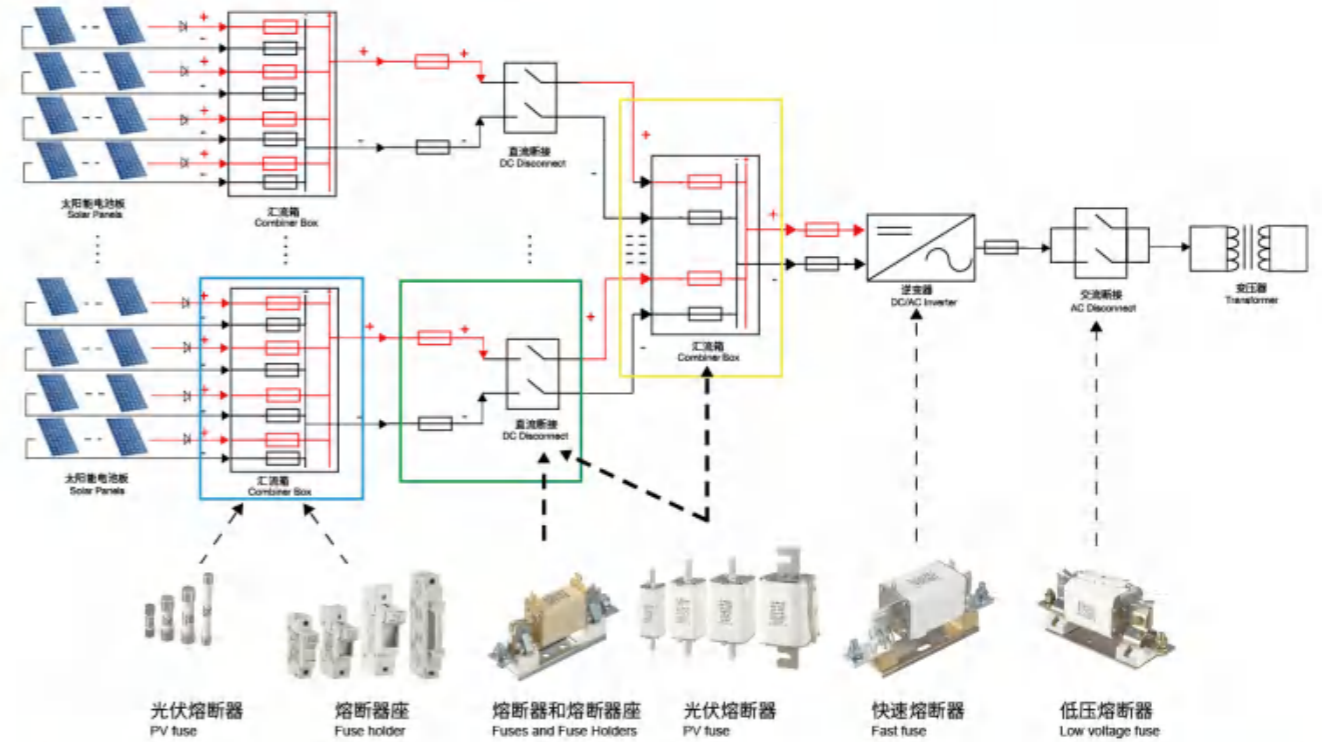
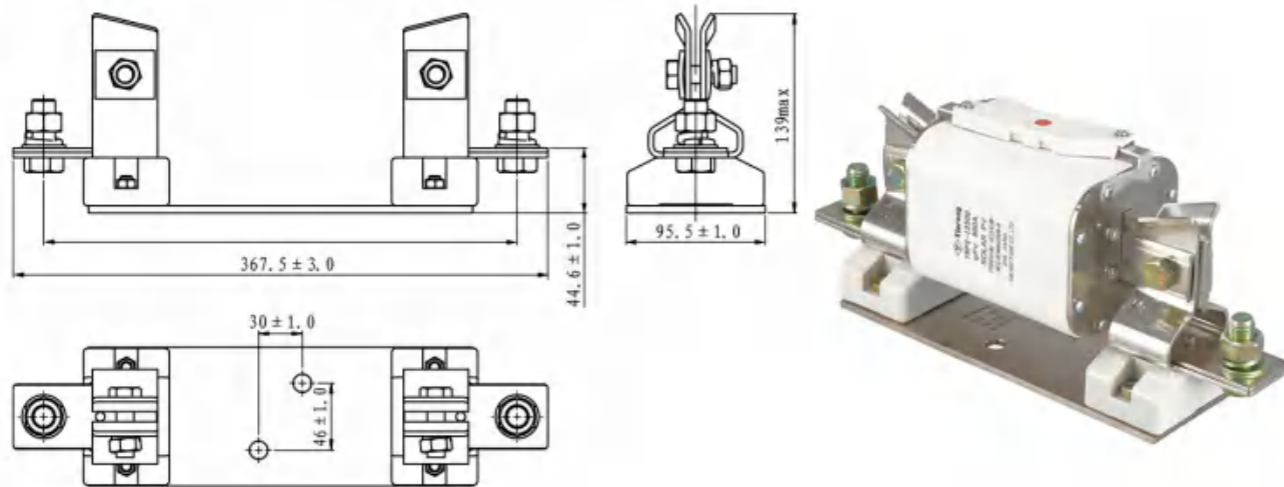
- 规格 / Specifications**
  - 额定电压 / Rated voltage: 1000Vdc/1500Vdc
  - 额定电流 / Rated current: 1250A
- 符合标准 / Standard**
  - IEC60269-1
  - EN60269-6
- 产品特点 / Product features**
  - ≥24h 盐雾试验, 耐酸性环境  
≥24h salt spray test, resistance to acid environment
  - 紫铜镀银接线端子, 温升低  
Silver-plated copper terminal blocks, low temperature rise

产品参数 / Product parameters

产品代码 Product code	额定电流 Rated current	额定电压 Rated voltage	安全认证 / Safety certificate			配装熔断体型号尺码 Fitted with fuse-link model size	产品净重 Net weight
			△	CE	UL		
YRPV-1250D	1250A	1000Vdc / 1500Vdc	○	○	○	YRPV-1250D	3.2kg

注: ●表示已取得安全认证; ○表示正在申请安全认证  
Note: ● Denotes for certification approved; ○ Denotes for pending certification

产品尺寸 (mm) / Product size (mm)



外形 shape	尺码 size	熔断器安装类型 Fuse Mounting Type	产品型号 Product number	额定电流 Rated current	额定电压 Rated voltage
圆筒形帽 cylindrical cap	Φ10.3x38mm	TH35-7.5	YRPV-30 (S)	2, 3, 4, 5, 6, 8, 10, 12, 15, 20, 25, 30	1000Vdc/1500Vdc
		螺栓连接式 Bolted			
		印刷电路板 (引脚) Printed circuit board (pins)			
	Φ10.3x85mm	TH35-7.5	YRPV-30L	2, 3, 4, 5, 6, 8, 10, 12, 15, 20, 25, 30	
Φ14.3x51mm	TH35-7.5	YRPV-40	10, 12, 15, 20, 25, 32, 40		
Φ14.3x65mm	TH35-7.5 螺栓连接式 Bolted	YRPV-63	10, 15, 20, 25, 32, 40, 50, 63		
方管刀型 Square tube knife	0	刀型触头 Knife contact	YRPV-160	40, 50, 63, 80, 100, 125, 160	
	1	刀型触头 Knife contact	YRPV-250	80, 100, 125, 160, 200, 250	
		螺栓连接式 Bolted			
	2	刀型触头 Knife contact	YRPV-400	125, 160, 200, 250, 315, 350, 400	
		螺栓连接式 Bolted			
3	刀型触头 Knife contact	YRPV-630	315, 350, 400, 500, 630		
4	刀型触头 Knife contact	YRPV-1250	500, 630, 800, 900, 1000, 1250		