



## Vertical Multi-stage Water Pump

### Model: YMPV

YINJIA Pump is a professional surface clean water pump manufacturer in China since 1990, has specialized in manufacturing various of surface clean water pumps, as well as providing quality vertical multi-stage water pump for the world. We are committed to providing high quality product at a competitive price and backed up with superior service. Welcome to inquiry for vertical multi-stage water pump.

YINJIA is a leading China vertical multi-stage water pump manufacturer, supplier and exporter. Adhering to the pursuit of perfect quality of products, so that our vertical multi-stage water pump have been satisfied by many customers. YMPV series vertical multi-stage water pump is a most popular type of centrifugal pumps, with three or more PPO impellers, it can make higher pressure than single stage pump, widely used at various sites that request high pressure. Distribution of water in combination with pressure sets and for pressure boosting.

## Product Feature And Application

### • APPLICATIONS

- Centrifugal vertical and horizontal multistage water pumps able to develop high pressure and a high water lift with a comparatively low power consumption.
- Universal pump for civil and industrial purposes, for high pressure system and for irrigation in agriculture and sports fittings.

### • DESIGN FEATURES

- Pump body/motor bracket: cast iron
- Pump casing: Stainless Steel AISI 304
- Diffuser: PPO
- Impeller: PPO
- 100% copper winding
- Built-in thermal protector for single phase motor
- Motor shaft: AISI 304 welded shaft
- Mechanical seal: Graphite/Ceramic/NBR/S.S304

### • SPECIAL FEATURES ON REQUEST

- Anti-rust treatment for casting
- AISI 1045 motor shaft
- Carbon/SiC/V mechanical seal
- Other voltage and frequency
- Insulation class: F

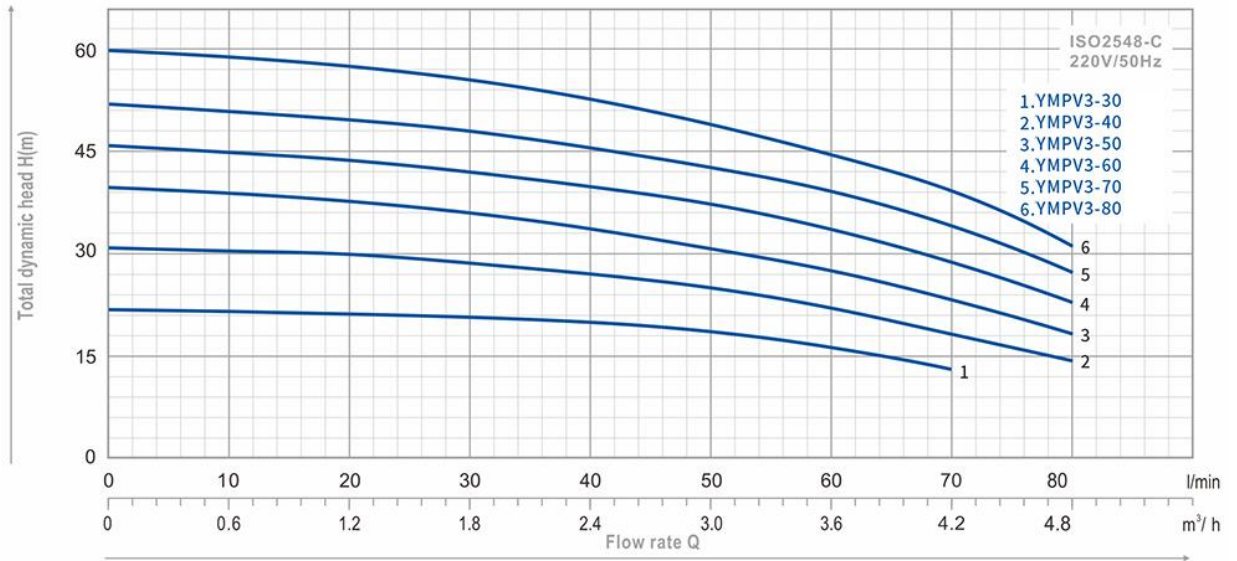
### • OPERATING LIMITS

- Total suction lift up to 6-8 mt. with foot valve
- Max. operating pressure: 8 bar.
- Max. ambient temperature: +40 °C
- Max. liquid temperature: +90 °C
- Max. altitude: +1000 mt.

- MOTOR**
  - Insulation class: B
  - Protection: IP44
  - Speed of rotation: 2850rpm
  - Continuous duty: S1

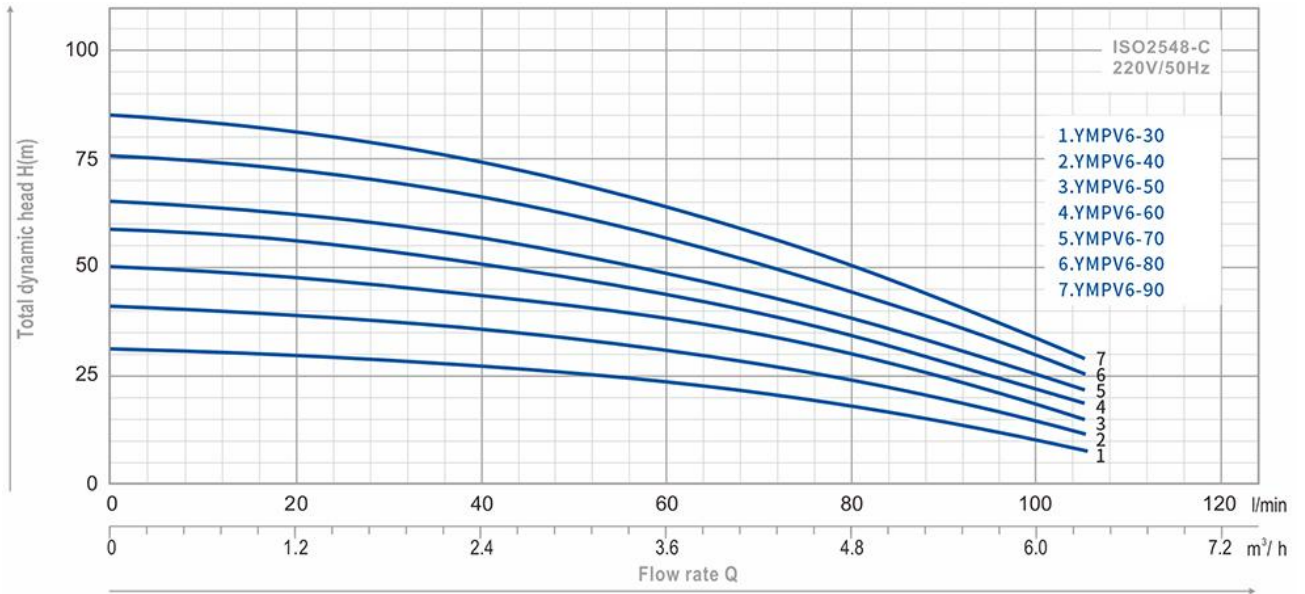
## Product Parameter (Specification)

### YMPV3 PERFORMANCE CHART



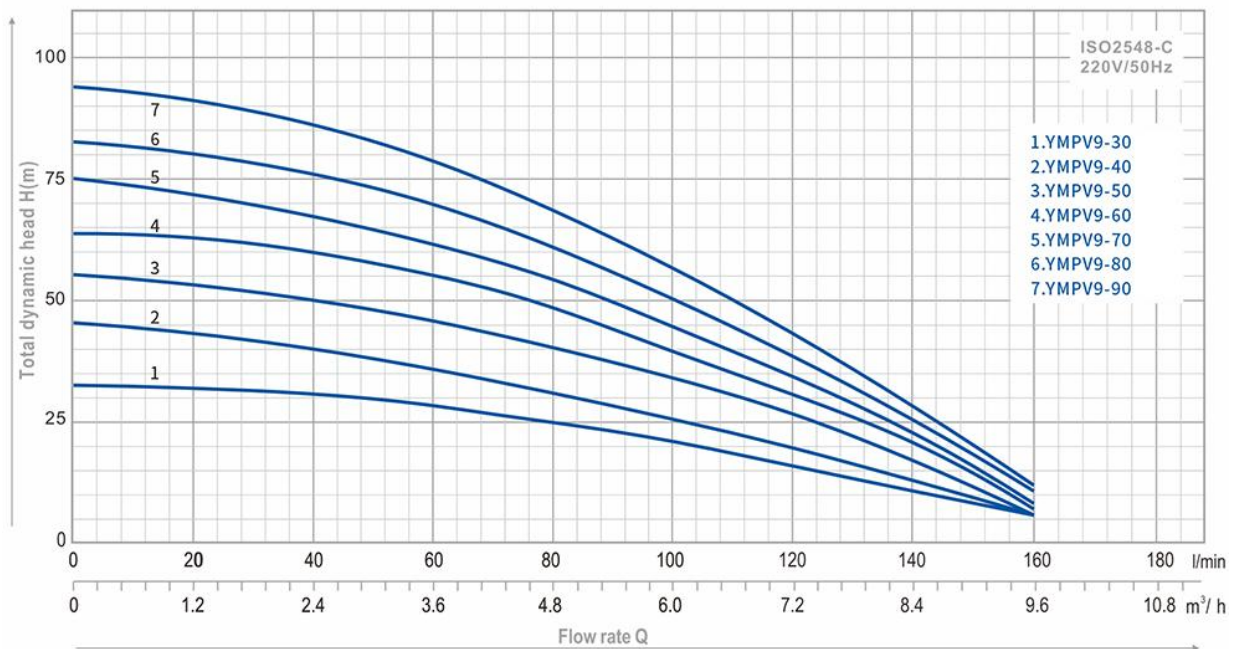
TYPE	Power		μF	Ampere I max.	Q l/min m <sup>3</sup> /h	Flow rate Q								DNA	DNM	PACKAGE DIMENSION (mm)			
	HP	kW				0	10	20	30	40	50	60	70			80	L	W	H
						0	0.6	1.2	1.8	2.4	3	3.6	4.2			4.8			
YMPV3-30	0.5	0.37	12	2.3	H (m)	22	22	21.5	21	20	18	16	13	-	1"	1"	440	220	220
YMPV3-40	0.75	0.55	16	3		31	30.5	30	28.5	27	25	22	18	14	1"	1"	465	220	220
YMPV3-50	0.85	0.65	20	4.2		40	39	38	36	33.5	30.5	27.5	23	18	1"	1"	490	220	220
YMPV3-60	1	0.75	20	4.5		46	45	44	42	40	37	33.5	28.5	23	1"	1"	515	220	220
YMPV3-70	1	0.75	20	5		52	51	50	48	45.5	41.5	39	34	27	1"	1"	540	220	220
YMPV3-80	1.1	0.8	25	6		60	59	57.5	55.5	52.5	48	45	39	31	1"	1"	565	220	220

### YMPV6 PERFORMANCE CHART



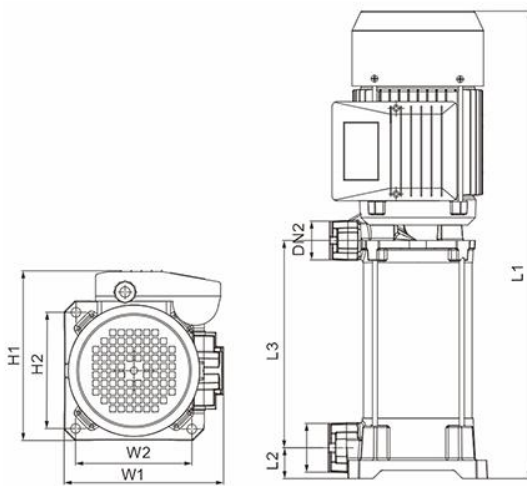
TYPE	Power		μF	Ampere I max.	Q l/min m³/h	0	10	20	40	60	80	100	110	DNA	DNM	PACKAGE DIMENSION (mm)		
	HP	kW				0	0.6	2.4	3.6	3.6	4.8	6	6.6			L	W	H
YMPV6-30	0.75	0.55	20	4.5	H (m)	33	32	31	28	23.5	18	10.5	7.5	1.25"	1"	550	250	255
YMPV6-40	1	0.75	25	5.8		43	42.5	41	38	32	25	15	12	1.25"	1"	575	250	255
YMPV6-50	1.25	0.95	30	6.5		52	51.5	50	46	40	32	20	15	1.25"	1"	600	250	255
YMPV6-60	1.5	1.1	35	7.8		62	61	59	55	47	37	23	19	1.25"	1"	620	250	255
YMPV6-70	1.75	1.35	40	8.6		69	68	66.5	60	52	40	27	22.5	1.25"	1"	645	250	255
YMPV6-80	2	1.5	45	10.2		80	80	77	70	60	47	32	27	1.25"	1"	675	250	255
YMPV6-90	2.25	1.75	45	11.2		90	88	86	79	67.5	51	36	30	1.25"	1"	695	250	255

### YMPV9 PERFORMANCE CHART



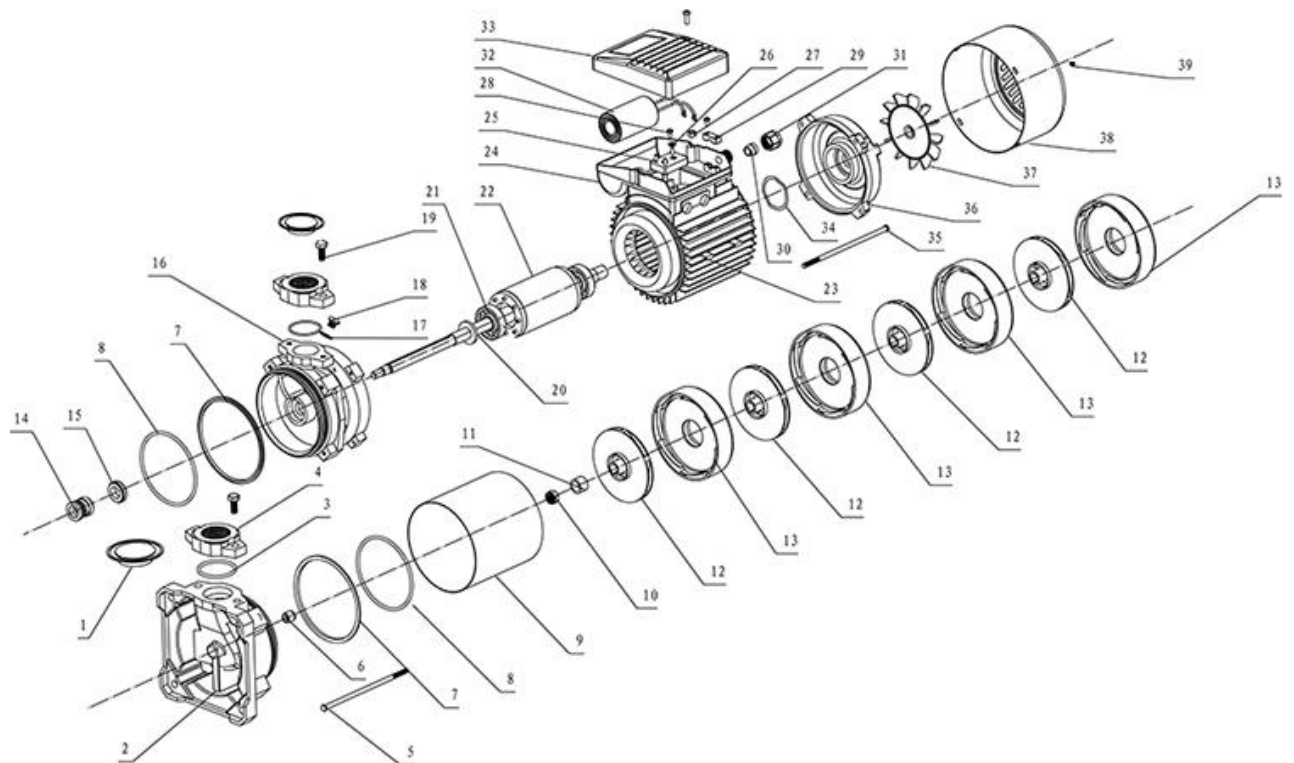
TYPE	Power		μF	Ampere I max.		Q l/min m <sup>3</sup> /h	Q								DNA	DNM	PACKAGE DIMENSION (mm)		
	HP	kW		1~	3~		0	30	60	80	100	120	140	160			L	W	H
YMPV9-30	1.5	1.1	30	6.2	-	H (m)	32	32	27	25	19	16	10	5	1.5"	1.25"	565	270	270
YMPV9-40	2	1.5	40	7.2	-		45	40	37	32	26	20	13	5	1.5"	1.25"	590	270	270
YMPV9-50	2.5	1.8	45	9	-		55	51	45	39	32	26	17	5	1.5"	1.25"	615	270	270
YMPV9-60	2.75	2	50	10.5	-		67	63	56	50	39	30	20	6	1.5"	1.25"	640	270	270
YMPV9-70	3	2.2	60	12	-		75	69	60	54	43	33	22	7	1.5"	1.25"	665	270	270
YMPV9-80	3	2.2	-	-	4.5		83	78	70	62	48	38	25	10	1.5"	1.25"	695	270	270
YMPV9-90	3.5	2.5	-	-	5.2		94	88	77	67	52	42	26	11	1.5"	1.25"	720	270	270

## DIMENSIONS



TYPE	L1	W1	H1	L2	L3	W2	H2
YMPV3-30	406	182	175	30	148	116	116
YMPV3-40	433	182	175	30	173	116	116
YMPV3-50	460	182	175	30	198	116	116
YMPV3-60	487	182	175	30	223	116	116
YMPV3-70	514	182	175	30	248	116	116
YMPV3-80	540	182	175	30	273	116	116
YMPV6-30	476	207	200	35	198	135	135
YMPV6-40	504	207	200	35	226	135	135
YMPV6-50	532	207	200	35	254	135	135
YMPV6-60	560	207	200	35	282	135	135
YMPV6-70	588	207	200	35	310	135	135
YMPV6-80	616	207	200	35	338	135	135
YMPV6-90	644	207	200	35	366	135	135
YMPV9-30	514	225	225	38.5	337	152	152
YMPV9-40	541.5	225	225	38.5	337	152	152
YMPV9-50	569	225	225	38.5	337	152	152
YMPV9-60	596.5	225	225	38.5	337	152	152
YMPV9-70	624	225	225	38.5	337	152	152
YMPV9-80	651.5	225	225	38.5	337	152	152
YMPV9-90	679	225	225	38.5	337	152	152

## YMPV Series Exploding Drawing



Ser.No.	Part Name	Ser.No.	Part Name	Ser.No.	Part Name	Ser.No.	Part Name
1	Plastic Cover	11	Copper plate	21	Bearing	31	Cable Presser
2	Pump body	12	Impeller	22	Rotor	32	Capacitor
3	O-ring	13	Diffuser	23	Stator	33	Terminal box cover
4	Flange	14	Mechanical seal	24	Terminal Box	34	Spring Washer
5	Motor Tie rod	15	Mechanical seal	25	Terminal block	35	Tie Bolt
6	Copper Plate	16	Front cover	26	Flat gasket	36	End Motor Cover
7	O ring	17	O ring	27	Screw	37	Fan
8	O ring	18	Drain Plug	28	Self-locking nut	38	Fan Cover
9	DOS Shell	19	Screw	29	Pressing Block	39	Screw
10	Self-locking nut	20	Splash Guard	30	Cable Sedl	40	