

## Electrical JET Water Pump



### Model: JET/L

YINJIA Pump is a professional surface clean water pump manufacturer in China since 1990, has specialized in manufacturing various of surface clean water pumps, as well as providing quality electrical JET water pump for the world. We are committed to providing high quality product at a competitive price and backed up with superior service. Welcome to inquiry for electrical JET water pump.

JET/L series electrical JET water pump belongs to the single-phase self-priming JET pump category. The electrical JET pumps have high performance in terms of head and flow rate, ideal for residential use when there is a need for the self-priming function, suitable to drain water from river and shallow well. Pumps should be installed in a covered area, protected against the weather.

## Product Feature And Application

### • APPLICATIONS

- Suitable for use with clean water, or non-aggressive liquids only, without sand or other solid impurities.
- Suitable for small living water supply, automatic water sprinkler system, small air conditioner system or supporting equipment etc.

### • DESIGN FEATURES

- Pump body/motor bracket: cast iron
- Impeller: Brass
- Ejection union: PPO
- 100% copper winding
- Built-in thermal protector for single phase motor
- Motor shaft: AISI 304 welded shaft
- Mechanical seal: Graphite/Ceramic/NBR/S.S304

### • SPECIAL FEATURES ON REQUEST

- Anti-rust treatment for casting
- PPO/SUS304 impeller
- Cast iron diffuser, brass nozzle
- AISI 1045 motor shaft
- Carbon/SiC/V mechanical seal
- Other voltage and frequency
- Insulation class: F

### • OPERATING LIMITS

- Total suction lift up to 9 mt. with foot valve
- Max. operating pressure: 8 bar.
- Max. ambient temperature: +40 °C
- Max. liquid temperature: +60 °C
- Max. altitude: +1000 mt.

### • MOTOR

- Insulation class: B

Fujian New Yinjia Pump Co.,Ltd.

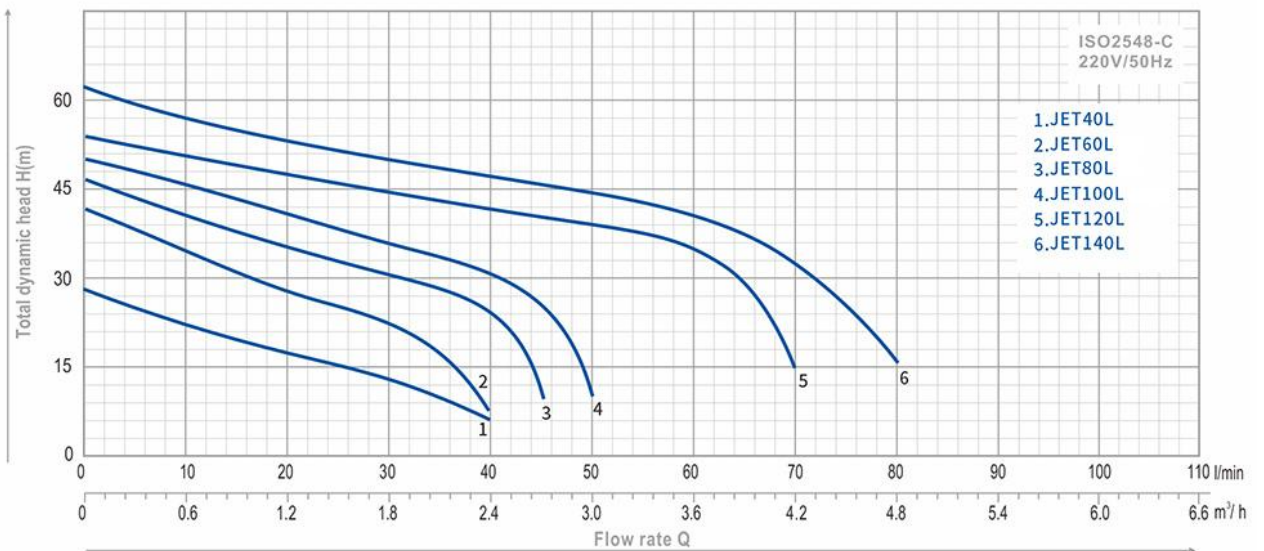
Tel: [+86-593-6558888](tel:+86-593-6558888)

E-mail: [sales-sh@inija.com](mailto:sales-sh@inija.com)

- Protection: IP44
- Speed of rotation: 2850rpm
- Continuous duty: S1

## Product Parameter (Specification)

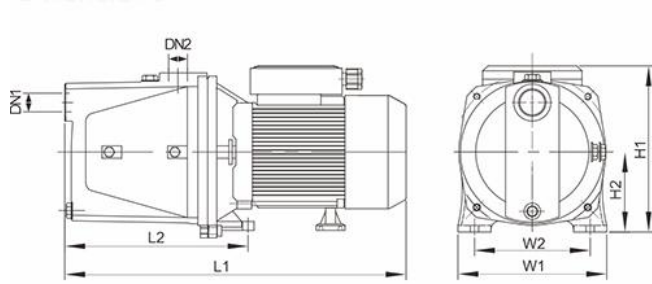
### PERFORMANCE



TYPE	Power		μF	Ampere I max.	Q l/min m³/h											DN1	DN2	N.W (kg)	Package Dimension (mm)		
	HP	KW				0	10	20	30	40	45	50	60	70	80				L	W	H
JET40L	0.3	0.22	8	1.8		28	22	17	13	6	-	-	-	-	-	1"	1"	10	420	200	205
JET60L	0.5	0.37	12	3.2		42	34.5	29	23	8	-	-	-	-	-	1"	1"	11.5	420	200	205
JET80L	0.75	0.55	16	4.0	H (m)	46	40.5	36	31	24	9.5	-	-	-	-	1"	1"	14.5	450	200	215
JET100L	1	0.75	20	4.5		50	46	41	36	31	26	9.5	-	-	-	1"	1"	15.5	450	205	220
JET120L	1.5	1.1	40	8		55	52	48	45	42	40.5	39	35.5	15	-	1.5"	1.25"	34	580	265	295
JET140L	2	1.5	45	10		62	57	53.5	50	48	46.5	44	41	33	16.5	1.5"	1.25"	35	580	265	295

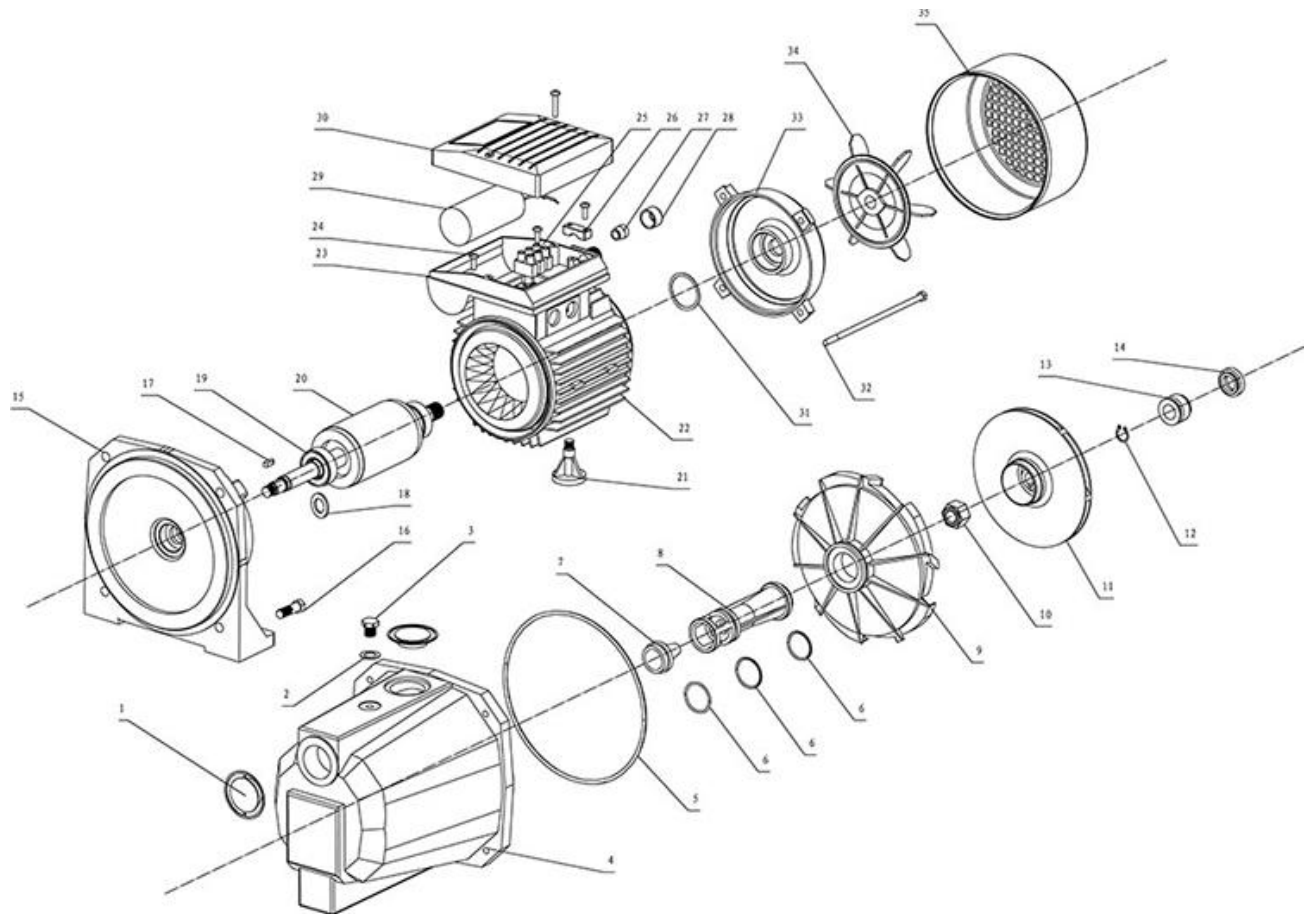
- JET40L - 0.22 kW / 0.3 HP - Max. Head 28m - Max. Flow 40 l/min - 1" water pump
- JET60L - 0.37 kW / 0.5 HP - Max. Head 42m - Max. Flow 40 l/min - 1" water pump
- JET80L - 0.55 kW / 0.75 HP - Max. Head 46m - Max. Flow 45 l/min - 1" water pump
- JET100L - 0.75 kW / 1 HP - Max. Head 50m - Max. Flow 55 l/min - 1" water pump
- JET120L - 1.1 kW / 1.5 HP - Max. Head 55m - Max. Flow 70 l/min - 1.5"\*1.25" water pump
- JET140L - 1.5 kW / 2 HP - Max. Head 62m - Max. Flow 80 l/min - 1.5"\*1.25" water pump

### DIMENSIONS



TYPE	L1	W1	H1	L2	W2	H2
JET40L	397	184	186	230	138	95
JET60L	397	184	186	230	138	95
JET80L	421	184	196	230	138	95
JET100L	421	184	196	230	138	95
JET120L	555	240	255	290	195	122
JET140L	555	240	255	290	195	122

### JET/L SERIES EXPLODING DRAWING



Ser.No.	Part Name	Ser.No.	Part Name	Ser.No.	Part Name
1	plastic cover	13	Mechanical seal	25	Connection Poles
2	Flat gasket	14	Mechanical seal	26	Pressing block
3	Drain Plug	15	Front Cover	27	Cable Hocdey
4	Pump body	16	Screw	28	Water-Proof plug
5	O ring	17	Shaft key	29	Capacitor
6	O ring	18	Splash guard	30	Terminal box Cover
7	Nozzle	19	Bearing	31	Spring Washer
8	Venturi Tube	20	rotor	32	Tie Bolt
9	Diffuser	21	Supporting Foot	33	End Motor Cover
10	Self-locking nut	22	Stator	34	Fan
11	Impeller	23	Terminal box	35	Fan Cover
12	Snap ring	24	Screw		



[www.yinjiapump.com](http://www.yinjiapump.com)

---

**Fujian New Yinjia Pump Co.,Ltd.**  
Tel: [+86-593-6558888](tel:+86-593-6558888)

**E-mail:** [sales-sh@inja.com](mailto:sales-sh@inja.com)