

## Self-priming Two Impeller Water Pump



### Model:CM2

YINJIA Pump is a professional surface clean water pump manufacturer in China since 1990, has specialized in manufacturing various of surface clean water pumps, as well as providing quality self-priming two impeller water pump for the world. We are committed to providing high quality product at a competitive price and backed up with superior service. Welcome to inquiry for self-priming two impeller water pump.

High quality self-priming two impeller water pump is offered by China manufacturer YINJIA. Buy self-priming two impeller water pump which is of high quality directly with low price. CM2 series two impeller deep suction pump belongs to the two impeller pump category, is a classical and popular pump in the global market. Self-priming twin-impeller water pumps with ejector for suction up to 9 mt. A suction up to 35 mt. depth can be allowed by taking the ejector down and connecting it to the pump by means of a double hose and a foot valve.

## Product Feature And Application

### • APPLICATIONS

- Suitable for use with clean water, or non-aggressive liquids only, without sand or other solid impurities.
- Suitable for small living water supply, automatic water sprinkler system, small air conditioner system or supporting equipment etc.

### • DESIGN FEATURES

- Pump body/motor bracket: cast iron
- Impeller: Brass
- 100% copper winding
- Built-in thermal protector for single phase motor
- Motor shaft: AISI 304 welded shaft
- Mechanical seal: Graphite/Ceramic/NBR/S.S304

### • SPECIAL FEATURES ON REQUEST

- Anti-rust treatment for casting
- Forged brass impeller
- AISI 1045 motor shaft
- Carbon/SiC/V mechanical seal
- Other voltage and frequency
- Insulation class: F

### • OPERATING LIMITS

- Total suction lift up to 9 mt. with foot valve
- Max. operating pressure: 8 bar.
- Max. ambient temperature: +40 °C
- Max. liquid temperature: +60 °C
- Max. altitude: +1000 mt.

### • MOTOR

- Insulation class: B

Fujian New Yinjia Pump Co.,Ltd.

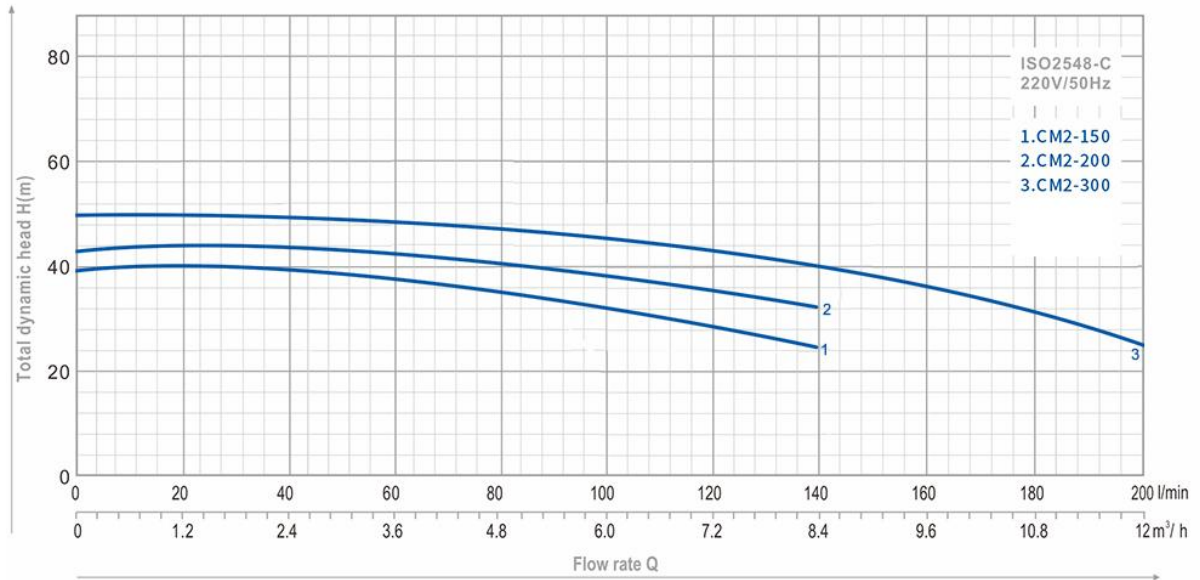
Tel: [+86-593-6558888](tel:+86-593-6558888)

E-mail: [sales-sh@inija.com](mailto:sales-sh@inija.com)

- Protection: IP44
- Speed of rotation: 2850rpm
- Continuous duty: S1

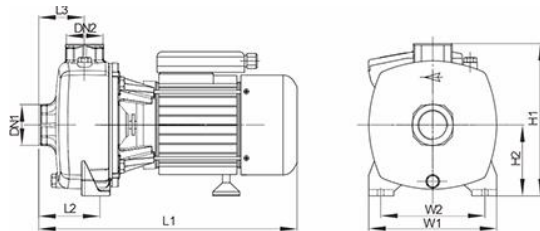
## Product Parameter (Specification)

### PERFORMANCE



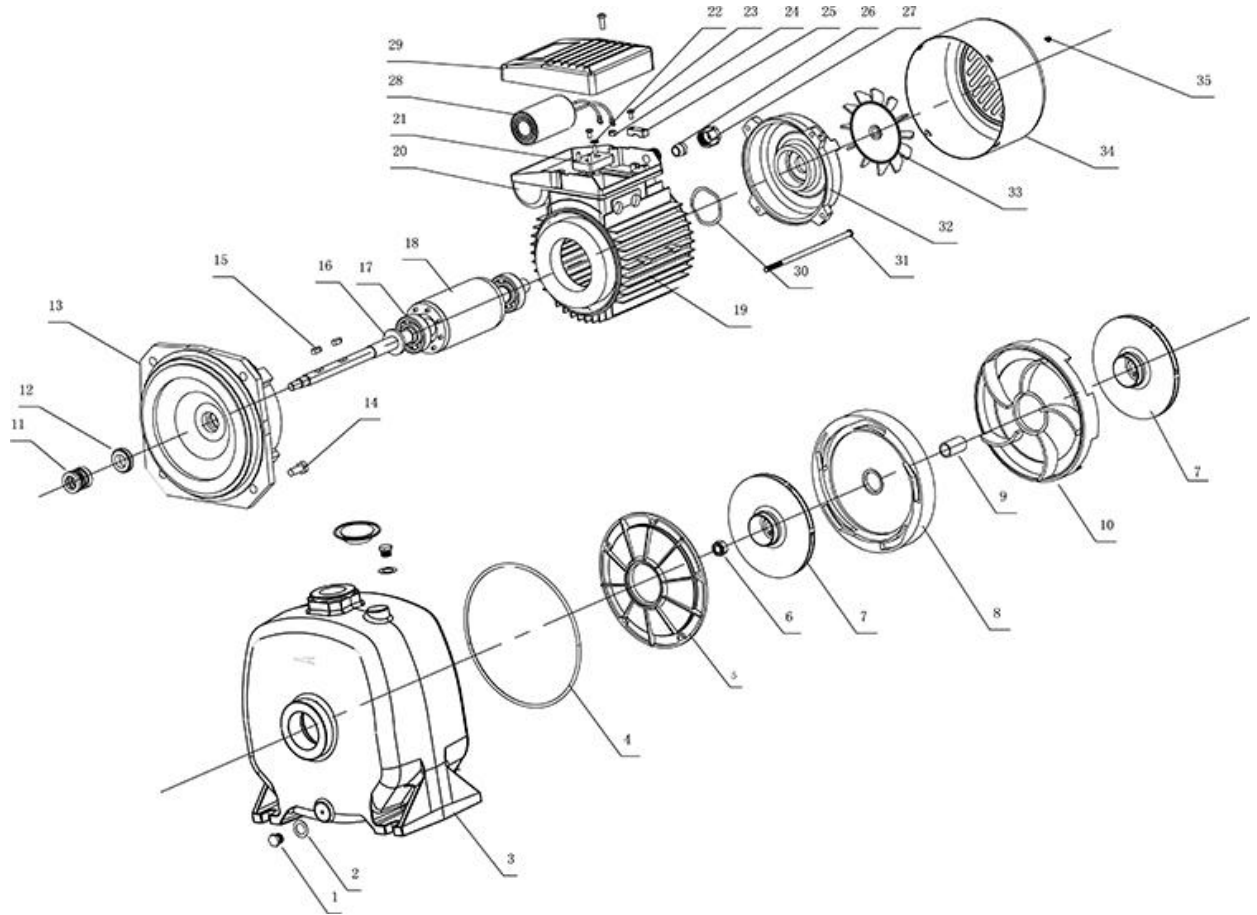
TYPE	Power		μF	Ampere I max.	Q l/min m³/h	0	20	40	60	80	90	100	110	120	140	160	200	DN1	DN2	N.W (kg)	Package Dimension (mm)		
	HP	kW				0	1.2	2.4	3.6	4.8	5.4	6	6.6	7.2	8.4	9.6	12				L	W	H
CM2-150	2	1.5	35	8	H (m)	39.5	38	36.5	34	32	30	28.5	27	26	24.5	-	-	1.5"	1.25"	23	425	230	265
CM2-200	3	2.2	45	10		43	42.5	42	41	40	39	38.5	36.5	34.5	32	-	-	1.5"	1.25"	24	425	230	265
CM2-300	4	3	60	12		49	48.7	48.5	47.5	47	46	45	44	43.5	40	36.5	25	1.5"	1.25"	28	475	240	280

### DIMENSIONS



TYPE	L1	W1	H1	L2	L3	W2	H2
CM2-150	415	205	245	100	73	167	113
CM2-200	415	205	245	100	73	167	113
CM2-300	423	205	250	100	73	167	113

### CM2 SERIES EXPLODING DRAWING



Ser.No.	Part Name	Ser.No.	Part Name	Ser.No.	Part Name
1	Drain Plug	13	Front Cover	25	Pressing Block
2	Flat Gasket	14	Screw	26	Cable Hocdey
3	Pump Body	15	Shaft Key	27	Water-Proof Plug
4	O Ring	16	Splash Guard	28	Capacitor
5	Diffuser Cover	17	Bearing	29	Terminal Box Cover
6	Self-Locking Nut	18	Rotor	30	Spring Washer
7	Impeller	19	Stator	31	Tie Bolt
8	Diffuser	20	Terminal Box	32	End Motor Cover
9	Impeller Spacer	21	Connection Poles	33	Fan
10	Diffusser	22	Flat Gasket	34	Fan Cover
11	Mechanical Seal	23	Screw	35	Screw
12	Mechanical Seal	24	Self-Locking Nut		