

New Peripheral Pump Household Use



Model:VM

YINJIA Pump is a professional surface clean water pump manufacturer in China since 1990, has specialized in manufacturing various of surface clean water pumps, as well as providing quality new peripheral pump household use pump for the world. We are committed to providing high quality product at a competitive price and backed up with superior service. Welcome to inquiry for new peripheral pump household use pump.

Vm series new peripheral pump household use belongs to the single-phase peripheral pump category, is our patent design pump, attractive appearance, compact and very silent. The small water pump is assembled with very resistant and durable materials which is able to guarantee a very high solidity and the almost total absence of wear over time. In addition to having a high construction quality, the pump is extremely practical to install due to its small size and also due to the suction placed on the front. Pumps should be installed in a covered area, protected against the weather.

Product Feature And Application

• APPLICATIONS

- Suitable for use with clean water, or non-aggressive liquids only, without sand or other solid impurities.
- Suitable for small living water supply, automatic water sprinkler system, small air conditioner system or supporting equipment etc.

• DESIGN FEATURES

- Pump body/motor bracket: cast iron
- Impeller: Brass
- 100% copper winding
- Built-in thermal protector for single phase motor
- Motor shaft: AISI 304 welded shaft
- Mechanical seal: Graphite/Ceramic/NBR/S.S304

• SPECIAL FEATURES ON REQUEST

- Anti-rust treatment for casting
- No block system
- AISI 1045 motor shaft
- Carbon/SiC/V mechanical seal
- Other voltage and frequency
- Insulation class: F

• OPERATING LIMITS

- Total suction lift up to 6-8 mt. with foot valve
- Max. operating pressure: 8 bar.
- Max. ambient temperature: +40 °C
- Max. liquid temperature: +90 °C
- Max. altitude: +1000 mt.

Fujian New Yinjia Pump Co.,Ltd.

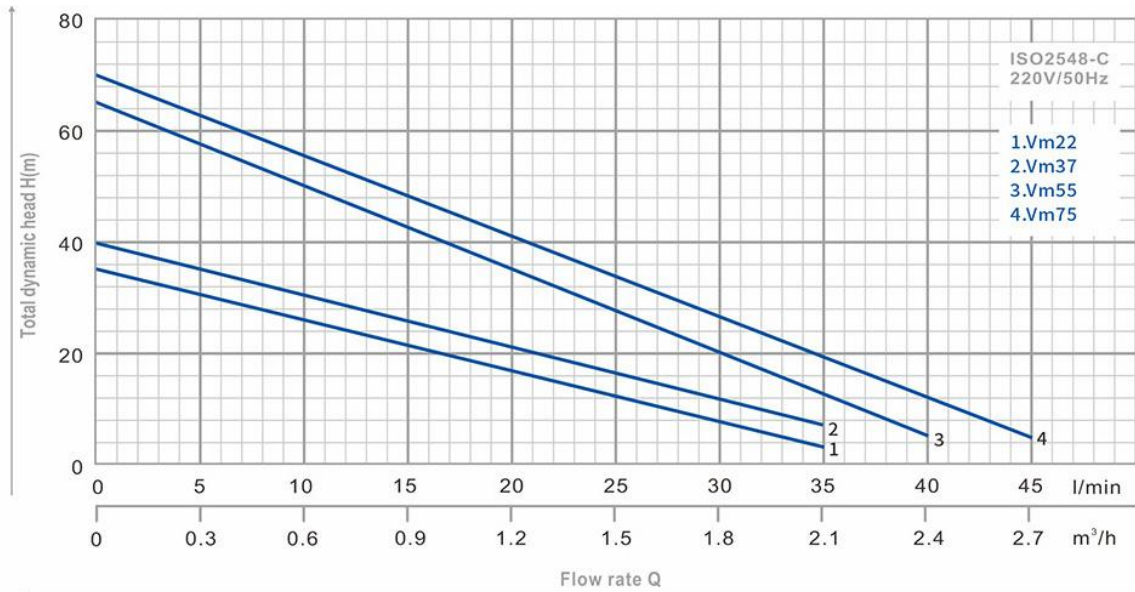
Tel: [+86-593-6558888](tel:+86-593-6558888)

E-mail: sales-sh@inija.com

- MOTOR**
 - Insulation class: B
 - Protection: IP44
 - Speed of rotation: 2850rpm
 - Continuous duty: S1

Product Parameter(Specification)

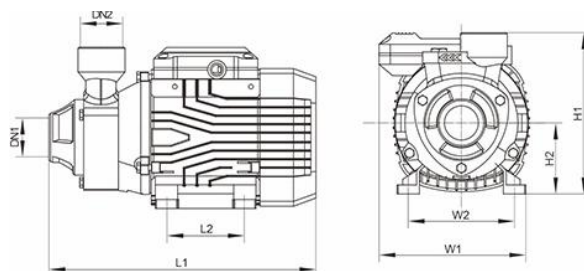
PERFORMANCE



TYPE	Power		μF	Ampere I max.	Q								DN1	DN2	N.W (kg)	Package Dimension (mm)		
	HP	kW			l/min	0	5	10	20	35	30	40				45	L	W
Vm22	0.3	0.22	8	1.7	35	29	25	16.5	3	7	-	-	1"	1"	5.2	255	145	170
Vm37	0.5	0.37	8	1.9	40	36	31.5	22	7	12	-	-	1"	1"	6	255	145	170
Vm55	0.75	0.55	16	3.7	65	58	50	35.5	13	20	5	-	1"	1"	8.5	290	175	190
Vm75	1.0	0.75	20	4.5	70	62	54	40	19	26	12	5	1"	1"	9.5	290	175	190

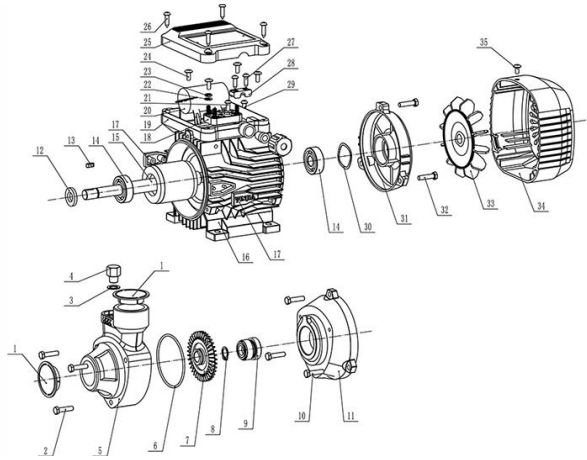
Vm22 - 0.22 kW / 0.3 HP - Max. Head 35m - Max. Flow 35 l/min - 1" water pump
 Vm37 - 0.37 kW / 0.5 HP - Max. Head 40m - Max. Flow 35 l/min - 1" water pump
 Vm55 - 0.55 kW / 0.75 HP - Max. Head 65m - Max. Flow 40 l/min - 1" water pump
 Vm75 - 0.75 kW / 1 HP - Max. Head 70m - Max. Flow 45 l/min - 1" water pump

DIMENSIONS



TYPE	L1	W1	H1	L2	W2	H2
Vm22	242	135	150	70	95	63
Vm37	242	135	150	70	95	63
Vm55	275	155	170	83	105	71
Vm75	275	155	170	83	105	71

VM37 EXPLODING DRAWING



Ser.No.	Part Name	Ser.No.	Part Name	Ser.No.	Part Name
1	plastic cover	13	Shaft key	25	Terminal box cover
2	Screw	14	Bearing	26	Screw
3	flat gasket	15	rotor	27	Screw
4	Drain Plug	16	Stator	28	Pressing block
5	Pump body	17	LOGO	29	Screw
6	O ring	18	Connection Poles	30	Spring Washer
7	Impeller	19	Terminal box base	31	End Motor Cover
8	Snap ring	20	Capacitor	32	bolt
9	Mechanical seal	21	Screw	33	Fan
10	bolt	22	brass gasket	34	Fan Cover
11	Front Cover	23	brass nut	35	Screw
12	Splash guard	24	Screw		