

Industrial Standard Pump



Model:CM

YINJIA Pump is a professional surface clean water pump manufacturer in China since 1990, has specialized in manufacturing various of surface clean water pumps, as well as providing industrial standard pump for the world. We are committed to providing high quality product at a competitive price and backed up with superior service. Welcome to inquiry for industrial standard pump.(monoblok pump)

YINJIA is industrial standard pump manufacturers and suppliers in China who can wholesale industrial standard pump. We can provide professional service and better price for you. CM series industrial standard pump is a popular commercial pump in the global market,as well as close coupled monoblock industrial centrifugal pump. It is with single impeller and horizontal design, which manufactured according to DIN24255/EN733.They are widely used on industrial applications, water supply systems, circulating and booster installations.

Product Feature And Application

• APPLICATIONS

- Centrifugal,monoblock and single-impeller electrical pumps with pump body,with connection to the motor by means of a support unit.With flanged inlet and delivery openings (to UNI 2237 PN 10 standards) and threaded counter-flanges.
- These machines are idea for pumping clean water and other chemically and mechanically non-aggressive liquids.
- To be used for a wide variety of applications in civil,agricultural,industrial or general plant uses.Water supply,spray of flowing irrigation,high pressure system,fire fighting sets,heating,conditioning and any other general serbice requiring transfer of clean liquids

• OPERATING LIMITS

- Temperature of liquid form -10°C TO $+120^{\circ}\text{C}$
- Ambient temperature form -10°C TO $+40^{\circ}\text{C}$

• DESIGN FEATURES

- Max perting pressure 10 bar
- Pump body/motor bracker:cast iron
- Impeller:cast iron
- Bearing:C&U
- 100%copper winding
- Mechanical seal:Carbon/SiC/NBR/SUS304
- Motor shaft:AISI 304 welded shaft

• PERFORMANCE RANGE

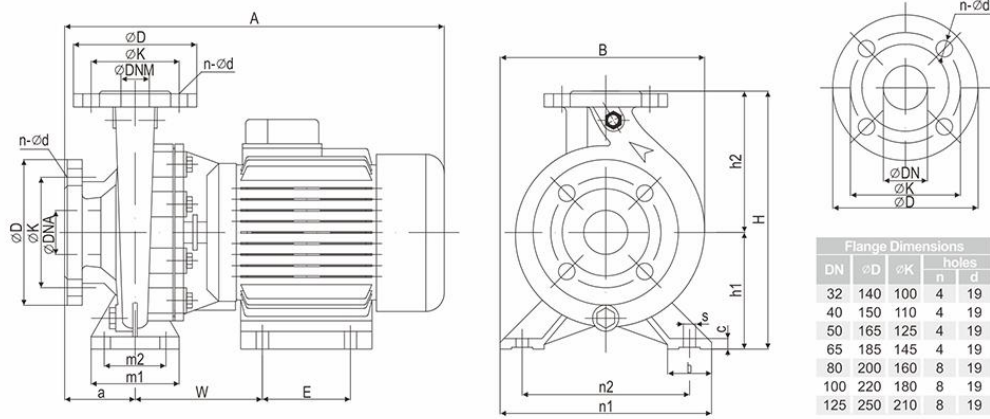
- Speed: 2900 rpm
- Max. Flow: 216 m³/h
- Max. Head: 100 mt
- Power range: 1.5-22 kW
- Inlet/Outlet:50x32mm-100x80mm

- **MOTOR**
 - 2-pole induction motor
 - Insulation class:B
 - Protection:IP44
 - Continuous duty:S1
- **SPECIAL FEATURES ON REQUEST**
 - Anti -rust- treatment for casting
 - AISI 304 pump body
 - AISI 304 or Brass impeller
 - AISI 1045 motor shaft
 - Other voltage and frequency
 - Insulation class:F

Product Parameter (Specification)

[PERFORMANCE PDF](#)

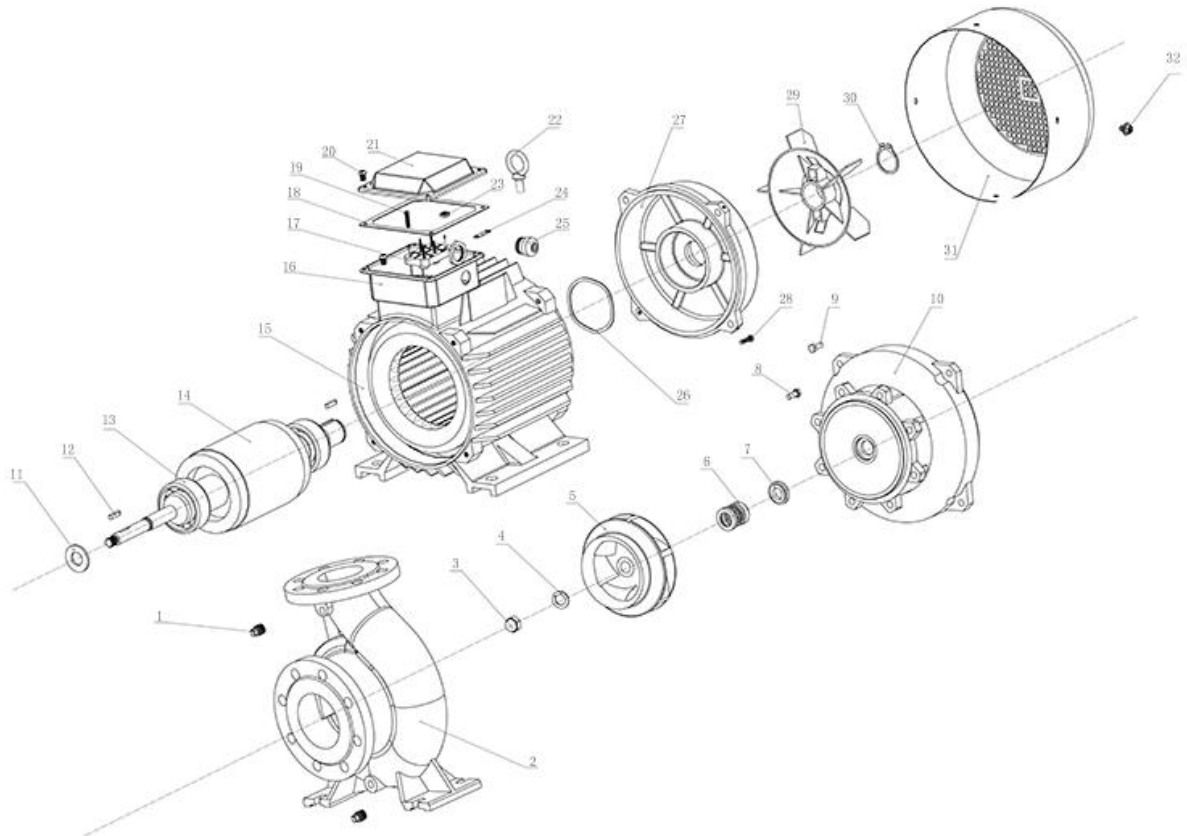
[DIMENSIONS](#)



DN	$\varnothing D$	$\varnothing K$	holes	
			n	d
32	140	100	4	19
40	150	110	4	19
50	165	125	4	19
65	185	145	4	19
80	200	160	8	19
100	220	180	8	19
125	250	210	8	19

Model	DNA	DNM	a	h1	W	m1	m2	n1	n2	b	c	s	A	B	H	E
CM32-160C	50	32	80	132	-	100	70	240	190	50	12	14	435	240	292	-
CM32-160B	50	32	80	132	-	100	70	240	190	50	12	14	435	240	292	-
CM32-160A	50	32	80	132	144	100	70	240	190	50	12	14	475	240	292	140
CM32-200C	50	32	80	160	147	100	70	240	190	50	14	14	500	267	340	140
CM32-200B	50	32	80	160	179	100	70	240	190	50	14	14	569	267	340	140
CM32-200A	50	32	80	160	179	100	70	240	190	50	14	14	569	267	340	140
CM32-250C	50	32	100	180	179	125	95	320	250	65	14	14	589	328	405	140
CM32-250B	50	32	100	180	164	125	95	320	250	65	14	14	674	328	405	210
CM32-250A	50	32	100	180	164	125	95	320	250	65	14	14	674	328	405	210
CM40-160C	65	40	80	132	-	100	70	240	190	50	14	14	475	245	292	-
CM40-160B	65	40	80	132	142	100	70	240	190	50	14	14	475	245	292	140
CM40-160A	65	40	80	132	147	100	70	240	190	50	14	14	500	245	292	140
CM40-200B	65	40	100	160	179	100	70	265	212	50	14	14	589	275	340	140
CM40-200A	65	40	100	160	179	100	70	265	212	50	14	14	589	275	340	140
CM40-250B	65	40	100	180	164	125	95	320	250	65	14	14	674	328	405	210
CM40-250A	65	40	100	180	164	125	95	320	250	65	14	14	674	328	405	210
CM50-125C	65	50	100	132	-	100	70	240	190	50	14	14	455	250	292	-
CM50-125B	65	50	100	132	139	100	70	240	190	50	14	14	495	250	292	140
CM50-125A	65	50	100	132	147	100	70	240	190	50	14	14	520	250	292	140
CM50-160C	65	50	100	160	147	100	70	265	212	50	14	14	520	272	340	140
CM50-160B	65	50	100	160	179	100	70	265	212	50	14	14	589	272	340	140
CM50-160A	65	50	100	160	179	100	70	265	212	50	14	14	589	272	340	140
CM50-200C	65	50	100	160	179	100	70	265	212	50	14	14	520	296	360	140
CM50-200B	65	50	100	160	164	100	70	265	212	50	14	14	674	296	360	210
CM50-200A	65	50	100	160	164	100	70	265	212	50	14	14	674	296	360	210
CM50-250D	65	50	100	180	164	125	95	320	250	65	14	14	674	340	405	210
CM50-250C	65	50	100	180	164	125	95	320	250	65	14	14	674	340	405	210
CM50-250B	65	50	100	180	205	125	95	320	250	65	14	14	719	340	405	254
CM50-250A	65	50	100	180	205	125	95	280	250	65	14	14	767	340	340	241
CM65-125C	80	65	100	160	154	125	95	280	212	65	14	14	527	280	340	140
CM65-125B	80	65	100	160	186	125	95	280	212	65	14	14	596	280	340	140
CM65-125A	80	65	100	160	186	125	95	280	212	65	14	14	596	280	340	140
CM65-160C	80	65	100	160	186	125	95	280	212	65	14	14	596	290	360	140
CM65-160B	80	65	100	160	171	125	95	280	212	65	14	14	681	290	360	210
CM65-165A	80	65	100	160	171	125	95	280	212	65	14	14	681	290	360	210
CM65-200C	80	65	100	180	169	125	95	320	250	65	14	14	679	332	405	210
CM65-200B	80	65	100	180	169	125	95	320	250	65	14	14	724	332	405	210
CM65-200A	80	65	100	180	210	125	95	320	250	65	14	14	772	332	405	254
CM80-160C	100	80	125	180	171	125	95	320	250	50	14	14	706	330	405	210
CM80-160B	100	80	125	180	171	125	95	320	250	50	14	14	751	330	405	254
CM80-160A	100	80	125	180	212	125	95	320	250	50	14	14	799	330	405	241

CM Series Exploding Drawing



Ser.No.	Part Name	Ser.No.	Part Name	Ser.No.	Part Name
1	Drain Plug	12	Flat Key	23	Nut
2	Pump body	13	Bearing	24	Connecting plate
3	Nut	14	Rotor	25	Cable nuts
4	Washer	15	Stator	26	Spring Washer
5	Impeller	16	Terminal Box	27	End Motor Cover
6	Mechanical seal	17	Terminal connection block	28	Screws
7	Mechanical seal	18	Terminal Box Seal Washer	29	Fan
8	Screws	19	Screw	30	Ring
9	Screws	20	Screw	31	Fan Cover
10	Front Cover	21	Terminal box cover	32	Screw
11	O ring	22	Hanging Ring		