

## Horizontal Multi-stage Water Pump



### Model:YMP

YINJIA Pump is a professional surface clean water pump manufacturer in China since 1990, has specialized in manufacturing various of surface clean water pumps, as well as providing quality horizontal multi-stage water pump for the world. We are committed to providing high quality product at a competitive price and backed up with superior service. Welcome to inquiry for horizontal multi-stage water pump.

YINJIA is China manufacturer & supplier who mainly produces horizontal multi-stage water pump with many years of experience. Hope to build business relationship with you. YMP series horizontal multi-stage water pump is a most popular type of centrifugal pumps, with three or more impellers, it can make higher pressure than single stage pump, widely used at various sites that request high pressure.

## Product Feature And Application

### • APPLICATIONS

- Centrifugal vertical and horizontal multistage water pumps able to develop high pressure and a high water lift with a comparatively low power consumption .
- Universal pump for civil and industrial purposes,for high pressure system and for irrigation in agriculture and sports fittings.

### • DESIGN FEATURES

- Pump body/motor bracket: cast iron
- Pump casing: Stainless Steel AISI 304
- Diffuser: PPO
- Impeller: PPO
- 100% copper winding
- Built-in thermal protector for single phase motor
- Motor shaft: AISI 304 welded shaft
- Mechaniacal seal: Graphite/Ceramic/NBR/S.S304

### • SPECIAL FEATURES ON REQUEST

- Anti-rust treatment for casting
- AISI 1045 motor shaft
- Carbon/SiC/V mechanical seal
- Other voltage and frequency
- Insultation class: F

### • OPERATING LIMITS

- Total suction lift up to 6-8 mt. with foot valve
- Max. operating pressure: 8 bar.
- Max. ambient temperature: +40 °C
- Max. liquid temperature: +90 °C
- Max. altitude: +1000 mt.

### • MOTOR

- Insultation class: B
- Protection: IP44

Fujian New Yinjia Pump Co.,Ltd.

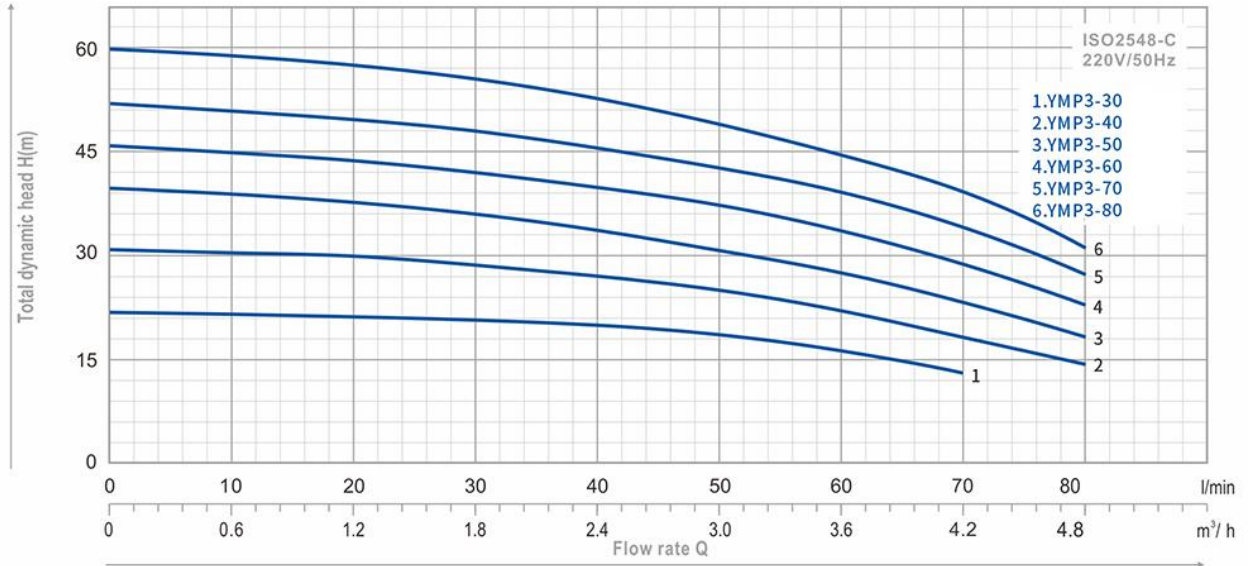
Tel: [+86-593-6558888](tel:+86-593-6558888)

E-mail: [sales-sh@inija.com](mailto:sales-sh@inija.com)

- Speed of rotation: 2850rpm
- Continuous duty: S1

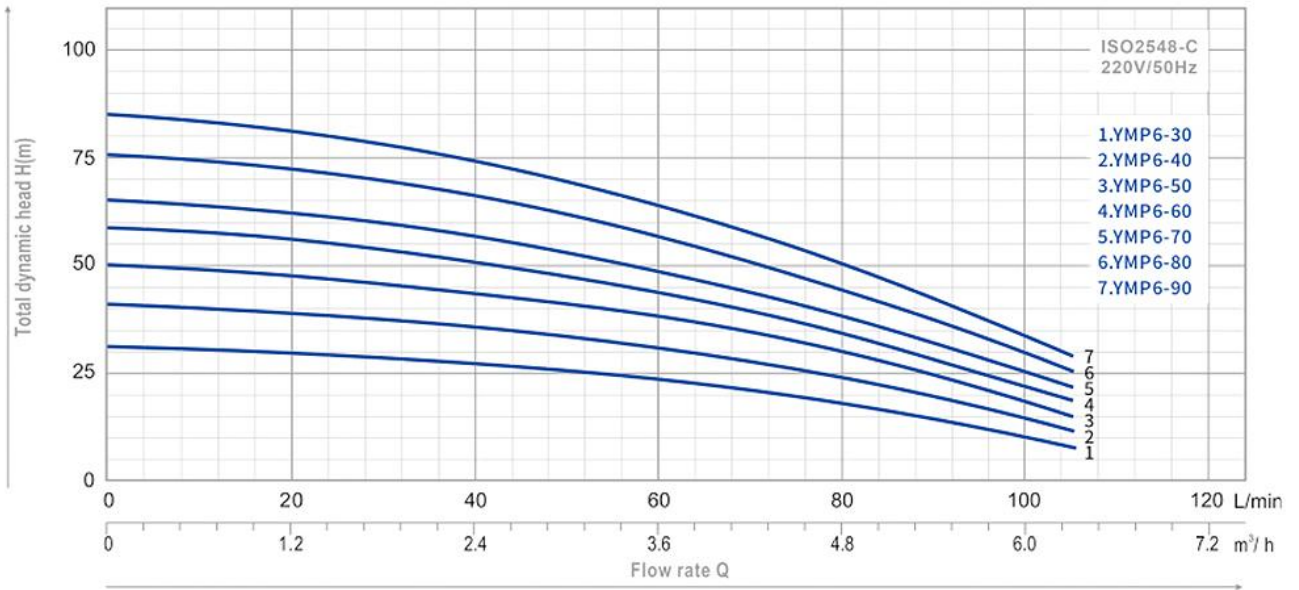
## Product Parameter (Specification)

### YMP3 PERFORMANCE CHART



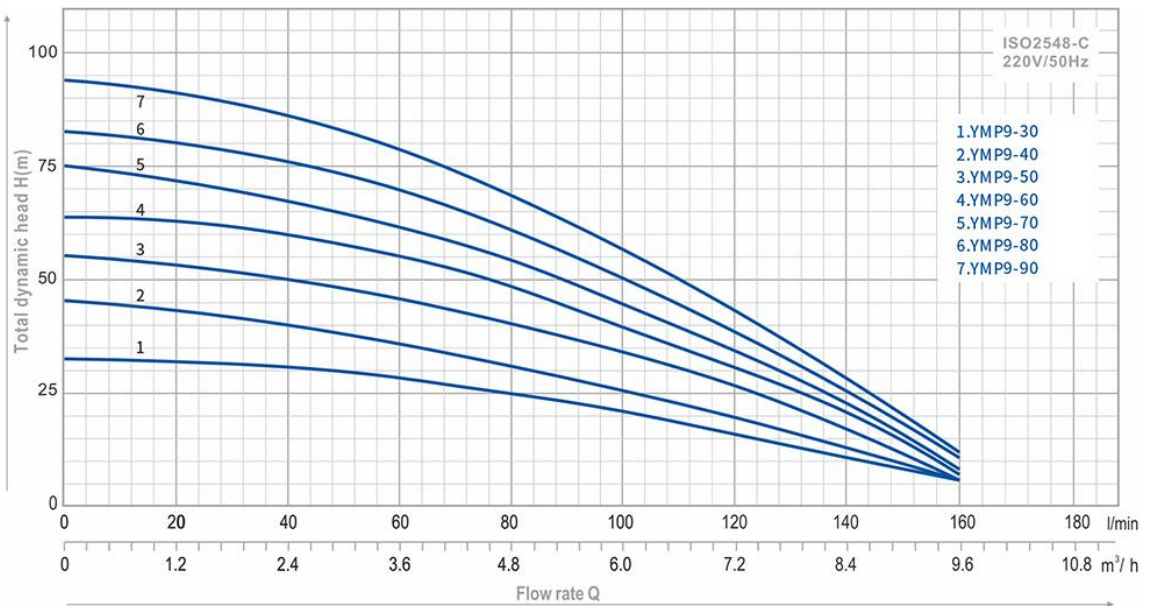
TYPE	Power		$\mu\text{F}$	Ampere $I_{\text{max}}$	Q l/min m <sup>3</sup> /h											DNA	DNM	PACKAGE DIMENSION (mm)		
	HP	kW				0	10	20	30	40	50	60	70	80	L			W	H	
YMP3-30	0.5	0.37	12	2.3	H (m)	22	22	21.5	21	20	18	16	13	-	1"	1"	440	220	220	
YMP3-40	0.75	0.55	16	3		31	30.5	30	28.5	27	25	22	18	14	1"	1"	465	220	220	
YMP3-50	0.85	0.65	20	4.2		40	39	38	36	33.5	30.5	27.5	23	18	1"	1"	490	220	220	
YMP3-60	1	0.75	20	4.5		46	45	44	42	40	37	33.5	28.5	23	1"	1"	515	220	220	
YMP3-70	1	0.75	20	5		52	51	50	48	45.5	41.5	39	34	27	1"	1"	540	220	220	
YMP3-80	1.1	0.8	25	6		60	59	57.5	55.5	52.5	48	45	39	31	1"	1"	565	220	220	

### YMP6 PERFORMANCE CHART



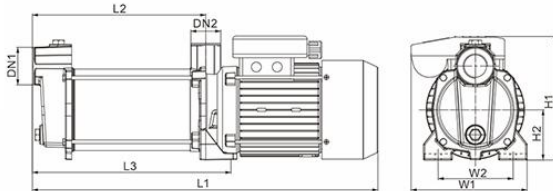
TYPE	Power		μF	Ampere I max.	Q l/min m³/h	H (m)								DNA	DNM	PACKAGE DIMENSION (mm)		
	HP	kW				0	10	20	40	60	80	100	110			L	W	H
YIMP6-30	0.75	0.55	20	4.5	33	32	31	28	23.5	18	10.5	7.5	1.25"	1"	550	250	255	
YIMP6-40	1	0.75	25	5.8	43	42.5	41	38	32	25	15	12	1.25"	1"	575	250	255	
YIMP6-50	1.25	0.95	30	6.5	52	51.5	50	46	40	32	20	15	1.25"	1"	600	250	255	
YIMP6-60	1.5	1.1	35	7.8	62	61	59	55	47	37	23	19	1.25"	1"	620	250	255	
YIMP6-70	1.75	1.35	40	8.6	69	68	66.5	60	52	40	27	22.5	1.25"	1"	645	250	255	
YIMP6-80	2	1.5	45	10.2	80	80	77	70	60	47	32	27	1.25"	1"	675	250	255	
YIMP6-90	2.25	1.75	45	11.2	90	88	86	79	67.5	51	36	30	1.25"	1"	695	250	255	

### YIMP9 PERFORMANCE CHART



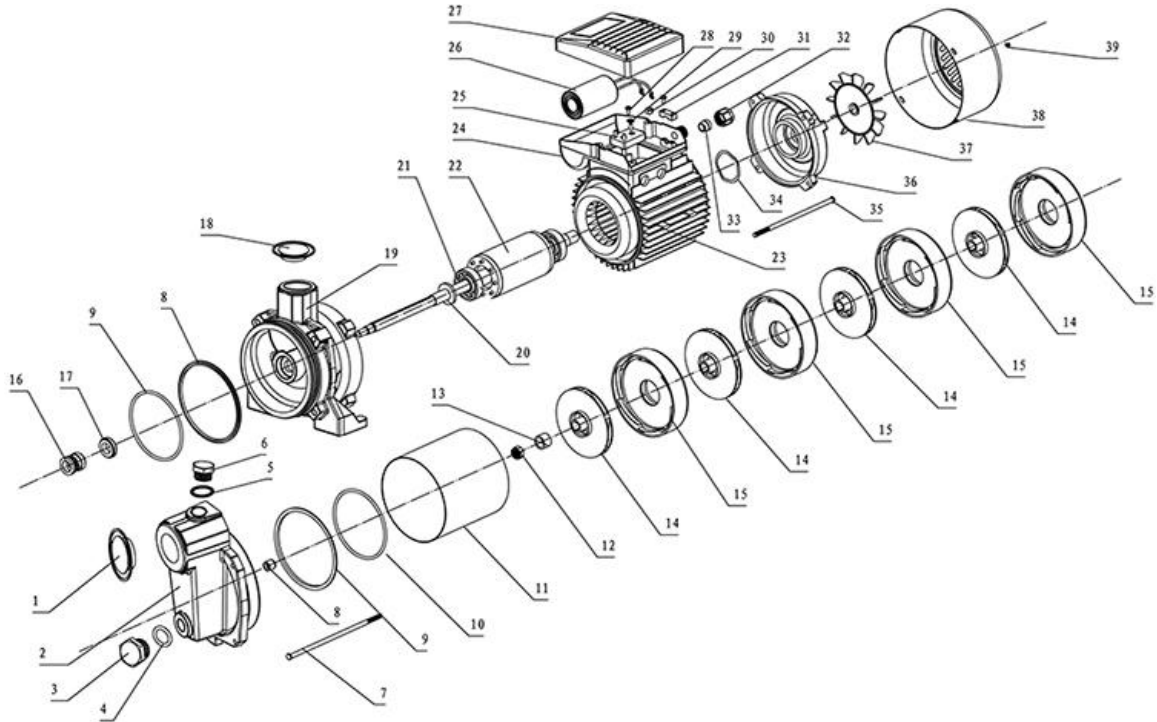
TYPE	Power		μF	Ampere I max.		Q l/min m <sup>3</sup> /h	0 30 60 80 100 120 140 160									DNA	DNM	PACKAGE DIMENSION (mm)		
	HP	kW		1~	3~		0 1.8 3.6 4.8 6 7.2 8.4 9.6											L	W	H
							H (m)													
YMP9-30	1.5	1.1	30	6.2	-	H (m)	32	32	27	25	19	16	10	5	1.5"	1.25"	565	270	270	
YMP9-40	2	1.5	40	7.2	-		45	40	37	32	26	20	13	5	1.5"	1.25"	590	270	270	
YMP9-50	2.5	1.8	45	9	-		55	51	45	39	32	26	17	5	1.5"	1.25"	615	270	270	
YMP9-60	2.75	2	50	10.5	-		67	63	56	50	39	30	20	6	1.5"	1.25"	640	270	270	
YMP9-70	3	2.2	60	12	-		75	69	60	54	43	33	22	7	1.5"	1.25"	665	270	270	
YMP9-80	3	2.2	-	-	4.5		83	78	70	62	48	38	25	10	1.5"	1.25"	695	270	270	
YMP9-90	3.5	2.5	-	-	5.2		94	88	77	67	52	42	26	11	1.5"	1.25"	720	270	270	

## DIMENSIONS



TYPE	L1	W1	H1	L2	L3	W2	H2
YMP3-30	403	155	175	175	204	100	71
YMP3-40	429.5	155	175	200	229	100	71
YMP3-50	456	155	175	225	254	100	71
YMP3-60	482.5	155	175	250	279	100	71
YMP3-70	509	155	175	275	304	100	71
YMP3-80	535.5	155	175	300	329	100	71
YMP6-30	469	186	198	195	236	120	80
YMP6-40	497	186	198	223	264	120	80
YMP6-50	525	186	198	251	292	120	80
YMP6-60	553	186	198	279	320	120	80
YMP6-70	581	186	198	307	348	120	80
YMP6-80	609	186	198	335	376	120	80
YMP6-90	637	186	198	363	404	120	80
YMP9-30	517	195	223	212	241	135	90
YMP9-40	544.5	195	223	239.5	268.5	135	90
YMP9-50	572	195	223	267	296	135	90
YMP9-60	599.5	195	223	294.5	323.5	135	90
YMP9-70	627	195	223	322	351	135	90
YMP9-80	654.5	195	223	349.5	378.5	135	90
YMP9-90	682	195	223	377	406	135	90

## YMPV SERIES EXPLODING DRAWING



Ser.No.	Part Name	Ser.No.	Part Name	Ser.No.	Part Name	Ser.No.	Part Name
1	Front cover	11	DOS Shell	21	Splash Guard	31	Pressing block
2	Pump body	12	Self-locking nut	22	Rotor	32	Cable Presser
3	Drain Plug	13	Copper plate	23	Stator	33	Cable sedl
4	O ring	14	Impeller	24	Terminal Box	34	Spring Washer
5	O ring	15	Diffuser	25	Terminal block	35	Tie Bolt
6	Drain Plug	16	Mechanical seal	26	capacitor	36	End Motor Cover
7	Motor Tie rod	17	Mechanical seal	27	Terminal box cover	37	Fan
8	Copper Plate	18	Front cover	28	Self-locking nut	38	Fan Cover
9	O ring	19	Front cover	29	Flat gasket	39	Screw
10	O ring	20	Splash Guard	30	Screw	40	