

## Electrical JET Pumps



### Model: JETA

YINJIA Pump is a professional surface clean water pump manufacturer in China since 1990, has specialized in manufacturing various of surface clean water pumps, as well as providing quality electrical JET pumps for the world. We are committed to providing high quality product at a competitive price and backed up with superior service. Welcome to inquiry for electrical JET pumps.

YINJIA as a professional high quality Electrical JET Pumps manufacturer, you can rest assured to buy Electrical JET Pumps from our factory and we will offer you the best after-sale service and timely delivery. JET/A series electrical JET pumps belongs to the single-phase self-priming JET pump category, is a best seller pump in the global market, like 110V/60HZ for Philippines also available. The electrical JET pumps have high performance in terms of head and flow rate, ideal for residential use when there is a need for the self-priming function. Pumps should be installed in a covered area, protected against the weather.

## Product Feature And Application

### • APPLICATIONS

- Suitable for use with clean water, or non-aggressive liquids only, without sand or other solid impurities.
- Suitable for small living water supply, automatic water sprinkler system, small air conditioner system or supporting equipment etc.

### • DESIGN FEATURES

- Pump body/motor bracket: cast iron
- Impeller: Brass
- Ejection union: PPO
- 100% copper winding
- Built-in thermal protector for single phase motor
- Motor shaft: AISI 304 welded shaft
- Mechanical seal: Graphite/Ceramic/NBR/S.S304

### • SPECIAL FEATURES ON REQUEST

- Anti-rust treatment for casting
- PPO/SUS304 impeller
- Cast iron diffuser, brass nozzle
- AISI 1045 motor shaft
- Carbon/SiC/V mechanical seal
- Other voltage and frequency
- Insulation class: F

### • OPERATING LIMITS

- Total suction lift up to 9 mt. with foot valve
- Max. operating pressure: 8 bar.
- Max. ambient temperature: +40 °C

Fujian New Yinjia Pump Co.,Ltd.

Tel: [+86-593-6558888](tel:+86-593-6558888)

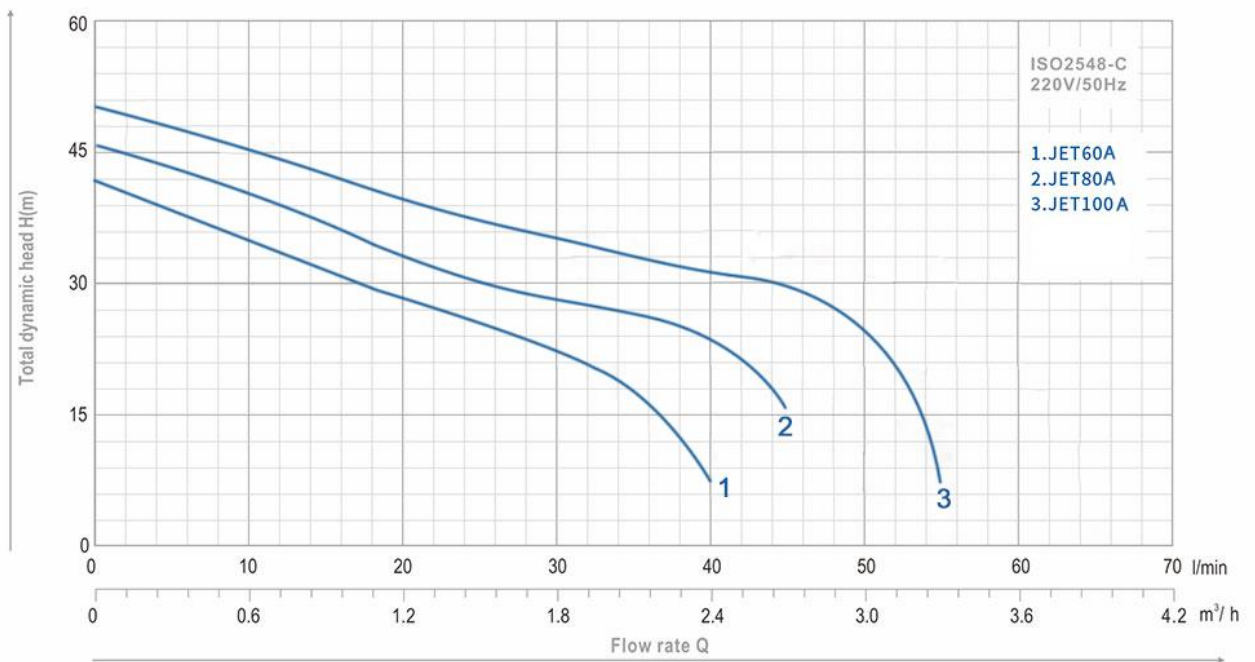
E-mail: [sales-sh@inija.com](mailto:sales-sh@inija.com)

- Max. liquid temperature: +60 °C
- Max. altitude: +1000 mt.

- **MOTOR**
  - Insulation class: B
  - Protection: IP44
  - Speed of rotation: 2850rpm
  - Continuous duty: S1

## Product Parameter (Specification)

### PERFORMANCE



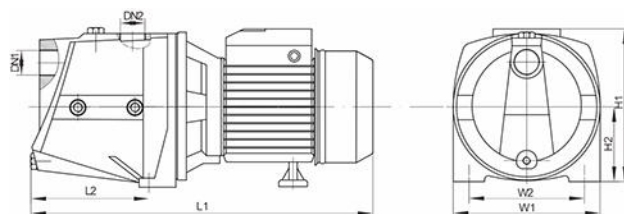
TYPE	Power		μF	Ampere I max.	Q l/min m³/h	H (m)								DN1	DN2	N.W (kg)	Package Dimension (mm)		
	HP	kW				0	10	20	30	40	45	50	55				L	W	H
JET60A	0.5	0.37	12	3.2	42	35	28	23.5	8	-	-	-	1"	1"	13.8	435	200	205	
JET80A	0.75	0.55	16	3.7	46	40.5	33.5	28.5	24	16	-	-	1"	1"	16.8	450	205	220	
JET100A	1	0.75	20	4.5	50	45.5	40	35.5	31.5	30	25	7.5	1"	1"	17.8	450	205	220	

JET60A - 0.37 kW / 0.5 HP - Max. Head 42m - Max. Flow 40 l/min - 1" water pump

JET80A - 0.55 kW / 0.75 HP - Max. Head 46m - Max. Flow 45 l/min - 1" water pump

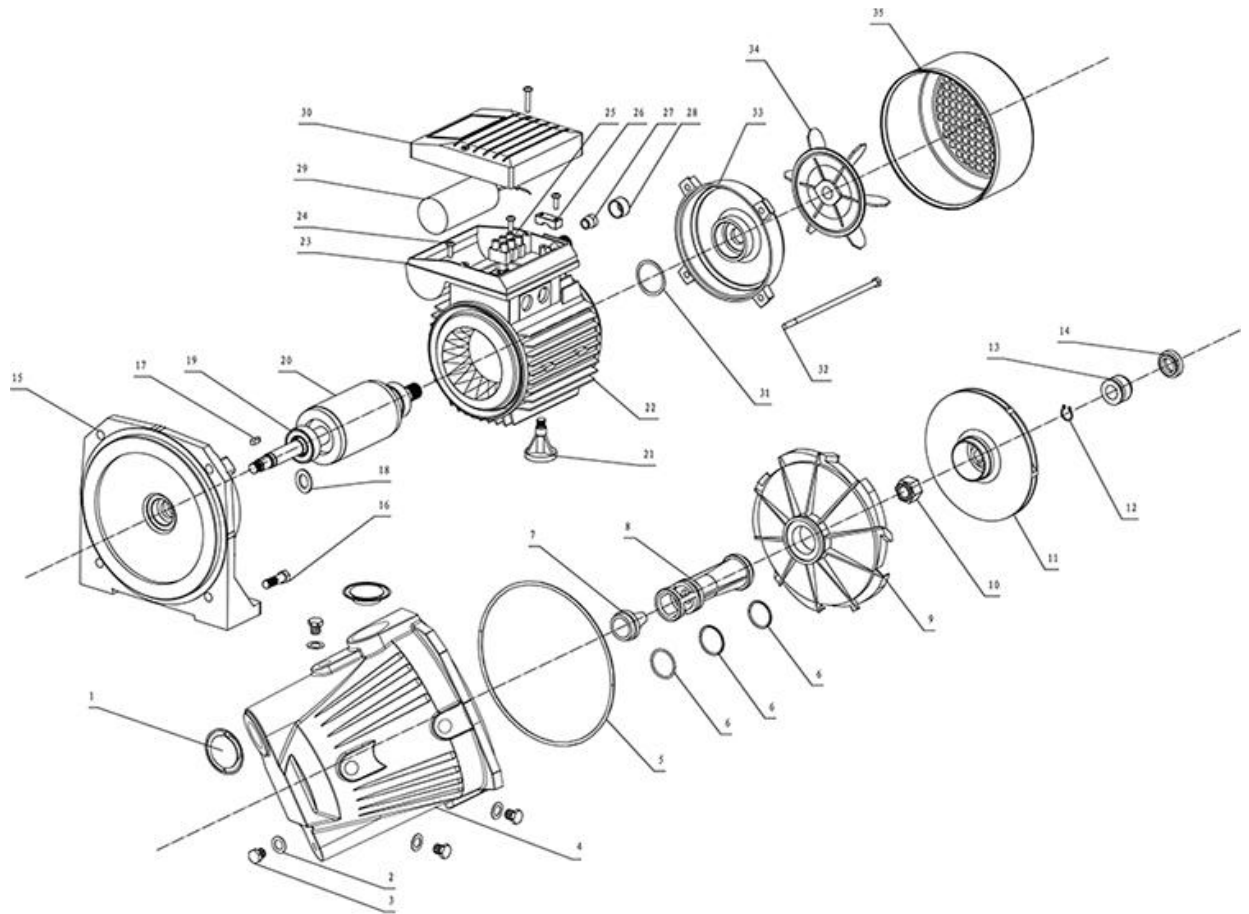
JET100A - 0.75 kW / 1 HP - Max. Head 50m - Max. Flow 55 l/min - 1" water pump

### DIMENSIONS



TYPE	L1	W1	H1	L2	W2
JET60A	359	195	209	92	158
JET80A	385	195	209	92	158
JET100A	385	195	209	92	158

## JETA SERIES EXPLODING DRAWING



Ser.No.	Part Name	Ser.No.	Part Name	Ser.No.	Part Name
1	plastic cover	13	Mechanical seal	25	Connection Poles
2	Flat gasket	14	Mechanical seal	26	Pressing block
3	Drain Plug	15	Front Cover	27	Cable Hocdey
4	Pump body	16	Screw	28	Water-Proof plug
5	O ring	17	Shaft key	29	Capacitor
6	O ring	18	Splash guard	30	Terminal box Cover
7	Nozzle	19	Bearing	31	Spring Washer
8	Venturi Tube	20	rotor	32	Tie Bolt
9	Diffuser	21	Supporting Foot	33	End Motor Cover
10	Self-locking nut	22	Stator	34	Fan
11	Impeller	23	Terminal box	35	Fan Cover
12	Snap ring	24	Screw		