

Cast Iron Peripheral Water Pump



Model:PM16

YINJIA Pump is a professional surface clean water pump manufacturer in China since 1990, has specialized in manufacturing various of surface clean water pumps, as well as providing quality cast iron peripheral water pump for the world. We are committed to providing high quality product at a competitive price and backed up with superior service. Welcome to inquiry for cast iron peripheral water pump.

The PM16 cast iron peripheral water pump belongs to the single-phase peripheral pump category. Its power of only 0.37 kW makes it one of the most used items for applications where high flow rates and heads are not required but this also has the advantage of having an item with small dimensions and very low energy consumption.

Product Feature And Application

• APPLICATIONS

- Suitable for use with clean water, or non-aggressive liquids only, without sand or other solid impurities.
- Suitable for small living water supply, automatic water sprinkler system, small air conditioner system or supporting equipment etc.

• DESIGN FEATURES

- Pump body/motor bracket: cast iron
- Impeller: Brass
- 100% copper winding
- Built-in thermal protector for single phase motor
- Motor shaft: AISI 304 welded shaft
- Mechanical seal: Graphite/Ceramic/NBR/S.S304

• SPECIAL FEATURES ON REQUEST

- Anti-rust treatment for casting
- No block system
- AISI 1045 motor shaft
- Carbon/SiC/V mechanical seal
- Other voltage and frequency
- Insulation class: F

• OPERATING LIMITS

- Total suction lift up to 6-8 mt. with foot valve
- Max. operating pressure: 8 bar.
- Max. ambient temperature: +40 °C
- Max. liquid temperature: +90 °C
- Max. altitude: +1000 mt.

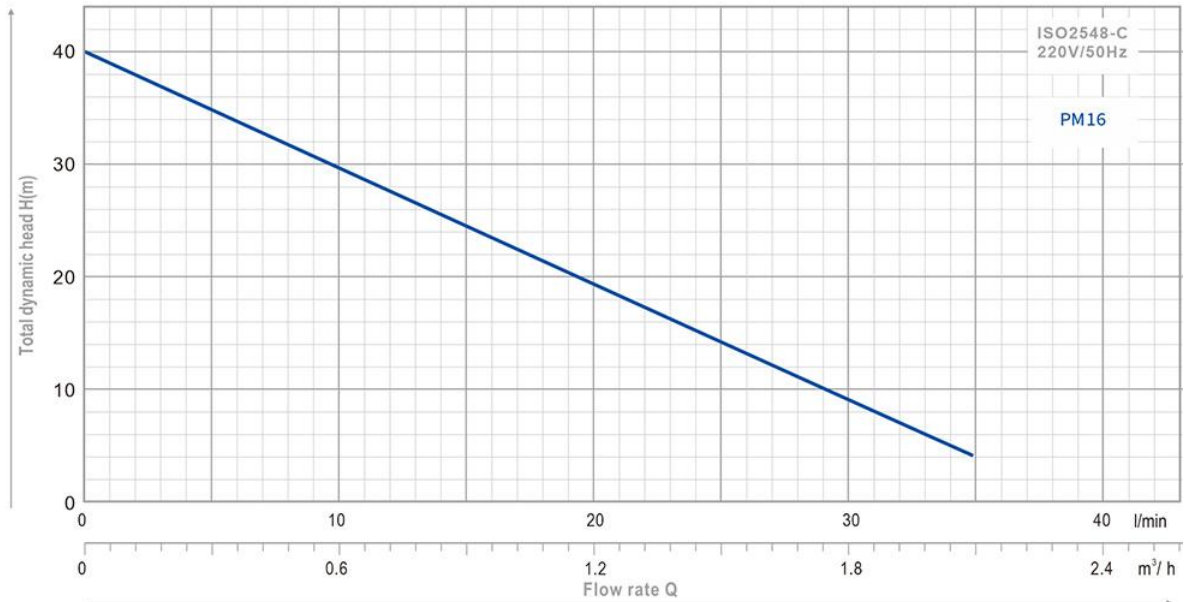
• MOTOR

- Insulation class: B
- Protection: Ip44

- Speed of rotation: 2850rpm
- Continuous duty: S1

Product Parameter (Specification)

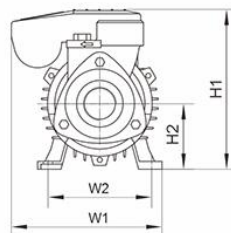
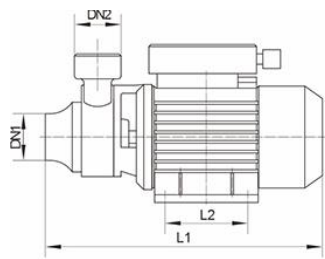
PERFORMANCE



TYPE	Power		μF	Ampere I max.	Q						DN1	DN2	N.W (kg)	Package Dimension (mm)			
	HP	kW			l/min	0	5	10	20	30				35	L	W	H
PM16	0.4	0.3	10	2.3	H (m)	40	36	31.5	22	12	7	1"	1"	7	300	205	175

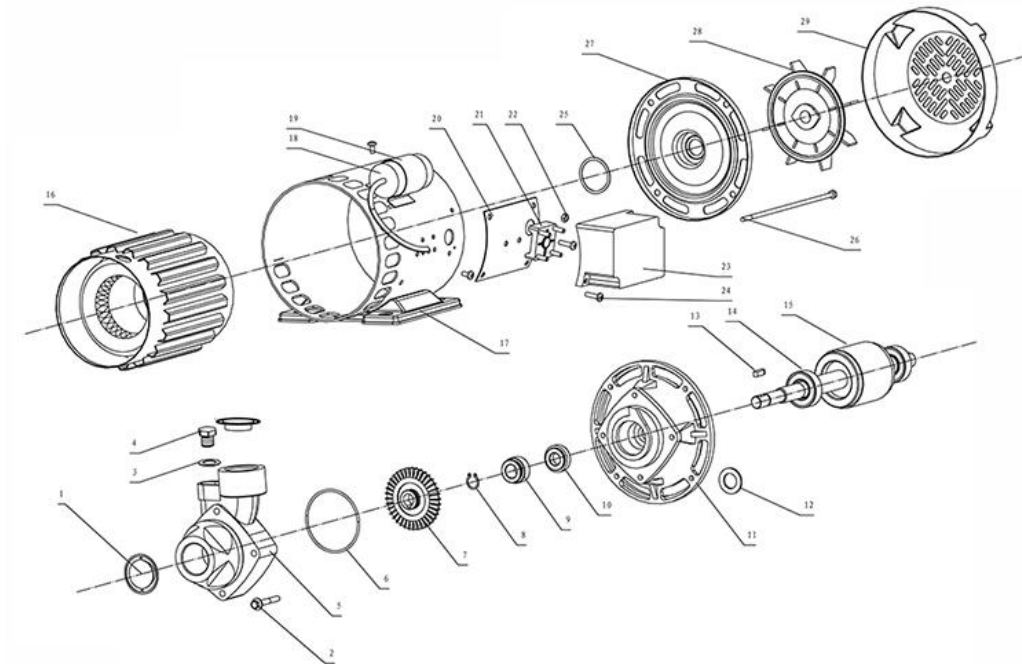
PM16 - 0.37 kW / 0.5 HP - Max. Head 40m - Max. Flow 35 l/min - 1" water pump

DIMENSIONS



TYPE	L1	W1	H1	L2	W2	H2
PM16	278	120	170	90	176	71

PM16 EXPLODING DRAWING



Ser.No.	Part Name	Ser.No.	Part Name	Ser.No.	Part Name
1	plastic cover	11	Front Cover	21	Connection Poles
2	Screw	12	Splash guard	22	Self-Locking Nut
3	flat gasket	13	Shaft key	23	Terminal box Cover
4	Drain Plug	14	Bearing	24	Screw
5	Pump body	15	Rotor	25	Spring Washer
6	O ring	16	Stator	26	Tie rod
7	Impeller	17	Stator	27	End Motor Cover
8	Snap ring	18	Capacitor	28	Fan
9	Mechanical seal	19	Steel Sheet	29	Fan Cover
10	Mechanical seal	20	Rubber Washer		