

## AC JET Cleaning Self-priming Pump



### Model: JETN

YINJIA Pump is a professional surface clean water pump manufacturer in China since 1990, has specialized in manufacturing various of surface clean water pumps, as well as providing quality AC JET cleaning self-priming pump for the world. We are committed to providing high quality product at a competitive price and backed up with superior service. Welcome to inquiry for AC JET cleaning self-priming pump.

YINJIA is AC JET cleaning self-priming pump manufacturers and suppliers in China who can wholesale AC JET cleaning self-priming pump. JET/N series AC JET ceaning self-priming pump belongs to the single-phase self-priming JET pump category. The electrical JET pumps have high performance in terms of head and flow rate, ideal for residential use when there is a need for the self- priming function, suitable to drain water from river and shallow well. Pumps should be installed in a covered area, protected against the weather.

## Product Feature And Application

### • APPLICATIONS

- Suitable for use with clean water, or non-aggressive liquids only, without sand or other solid impurities.
- Suitable for small living water supply, automatic water sprinkler system, small air conditioner system or supporting equipment etc.

### • DESIGN FEATURES

- Pump body/motor bracket: cast iron
- Impeller: Brass
- Ejection union: PPO
- 100% copper winding
- Built-in thermal protector for single phase motor
- Motor shaft: AISI 304 welded shaft
- Mechanical seal: Graphite/Ceramic/NBR/S.S304

### • SPECIAL FEATURES ON REQUEST

- Anti-rust treatment for casting
- PPO/SUS304 impeller
- Cast iron diffuser, brass nozzle
- AISI 1045 motor shaft
- Carbon/SiC/V mechanical seal
- Other voltage and frequency
- Insulation class: F

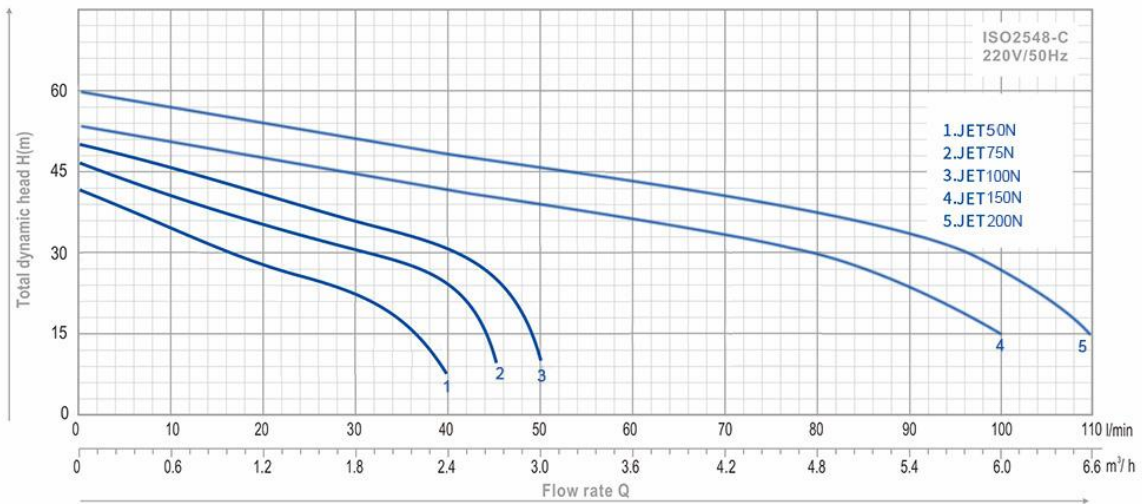
### • OPERATING LIMITS

- Total suction lift up to 9 mt. with foot valve
- Max. operating pressure: 8 bar.
- Max. ambient temperature: +40 °C
- Max. liquid temperature: +60 °C
- Max. altitude: +1000 mt.

- MOTOR**
  - Insulation class: B
  - Protection: IP44
  - Speed of rotation: 2850rpm
  - Continuous duty: S1

## Product Parameter (Specification)

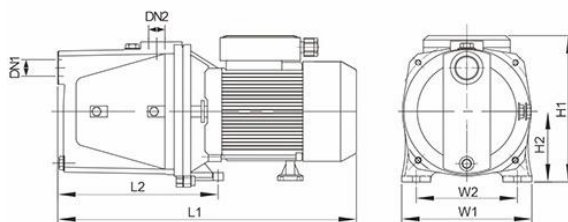
### PERFORMANCE



TYPE	Power		μF	Ampere I max.	Q l/min m³/h	0	10	20	30	40	45	50	60	70	80	90	100	110	DN1	DN2	N.W (kg)	Package Dimension (mm)		
	HP	kW				0	0.6	1.2	1.8	2.4	2.7	3.0	3.6	4.2	4.8	6.4	6	6.6				L	W	H
<b>JET50N</b>	0.5	0.37	12	3.2	42	34.5	29	23	8	-	-	-	-	-	-	-	-	-	1"	1"	11.6	460	213	225
<b>JET75N</b>	0.75	0.55	16	4.0	46	40.5	36	31	24	-	-	-	-	-	-	-	-	-	1"	1"	11.6	460	213	225
<b>JET100N</b>	1	0.75	20	4.5	50	46	41	36	26	9.4	-	-	-	-	-	-	-	-	1"	1"	15.6	460	213	225
<b>JET150N</b>	1.5	1.1	30	8	53	51	48	45	42	40.5	39	36.5	33	30	24	15	-	-	1.25"	1"	30	535	245	255
<b>JET200N</b>	2	1.5	45	10	60	57	54	51.5	48.5	47	45.5	43	40.5	38	34.5	28	15	-	1.25"	1"	31	535	245	255

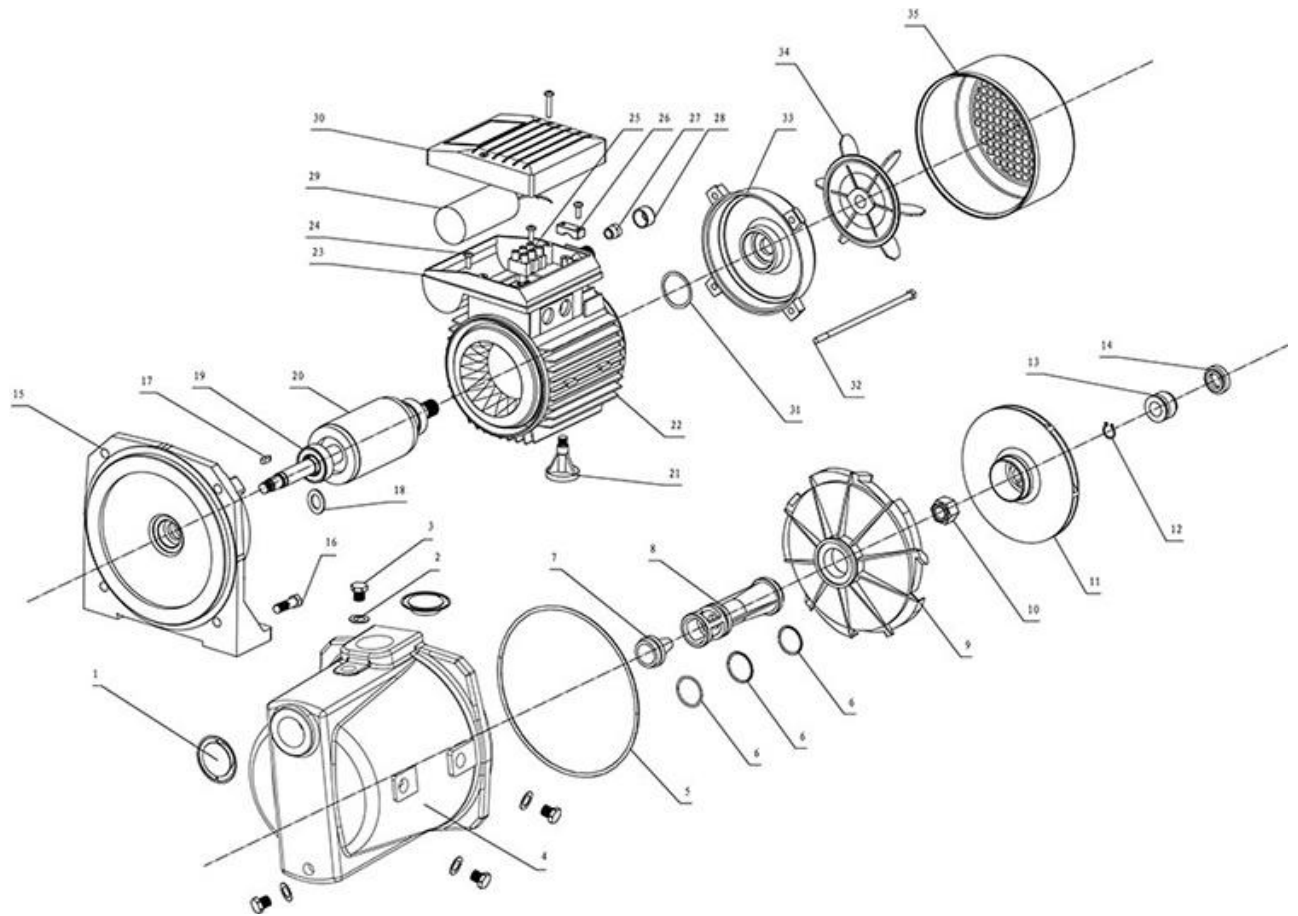
- JET50N - 0.37 kW / 0.5 HP - Max. Head 42m - Max. Flow 40 l/min - 1" water pump
- JET75N - 0.55 kW / 0.75 HP - Max. Head 46m - Max. Flow 45 l/min - 1" water pump
- JET100N - 0.75 kW / 1 HP - Max. Head 50m - Max. Flow 50 l/min - 1" water pump
- JET150N - 1.1 kW / 1.5 HP - Max. Head 53m - Max. Flow 100 l/min - 1.25"\*1" water pump
- JET200N - 1.5 kW / 2 HP - Max. Head 60m - Max. Flow 110 l/min - 1.25"\*1" water pump

### DIMENSIONS



TYPE	L1	W1	H1	L2	W2	H2
<b>JET50N</b>	397	180	200	222	140	97
<b>JET75N</b>	413	180	200	222	140	97
<b>JET100N</b>	413	180	200	222	140	97
<b>JET150N</b>	516	220	240	270	170	115
<b>JET200N</b>	516	220	240	270	170	115

## JET/N EXPLODING DRAWING



Ser.No.	Part Name	Ser.No.	Part Name	Ser.No.	Part Name
1	plastic cover	13	Mechanical seal	25	Connection Poles
2	Flat gasket	14	Mechanical seal	26	Pressing block
3	Drain Plug	15	Front Cover	27	Cable Hocdey
4	Pump body	16	Screw	28	Water-Proof plug
5	O ring	17	Shaft key	29	Capacitor
6	O ring	18	Splash guard	30	Terminal box Cover
7	Nozzle	19	Bearing	31	Spring Washer
8	Venturi tube	20	Rotor	32	Tie Bolt
9	Diffuser	21	Supporting Foot	33	End Motor Cover
10	Self-locking nut	22	Stator	34	Fan
11	Impeller	23	Terminal box	35	Fan Cover
12	Snap ring	24	Screw		