

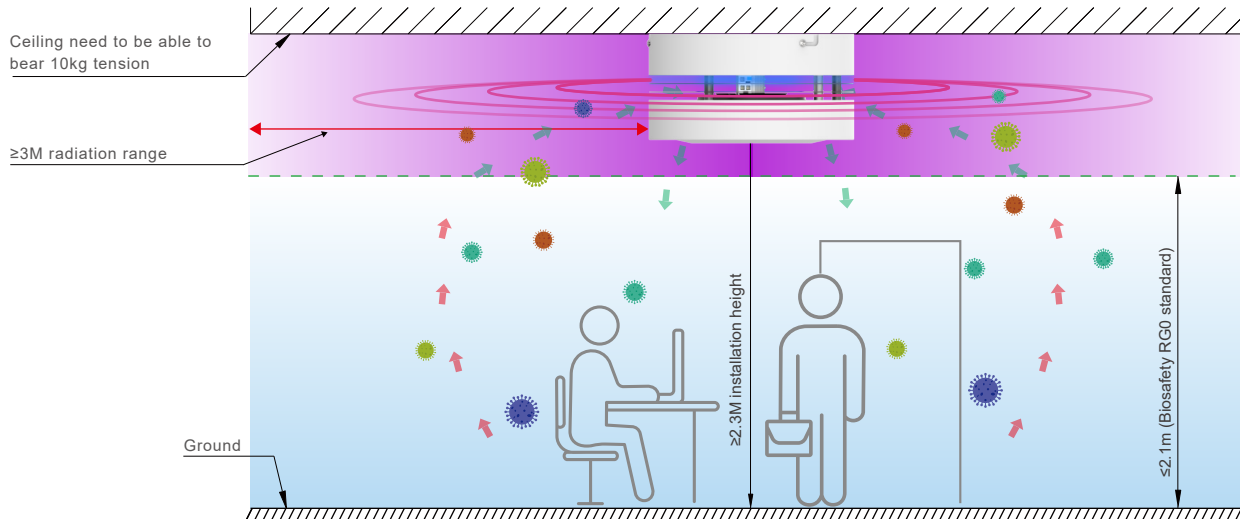


Canpuri  **U32-01/02**
Round upper air purification device



Purification principle

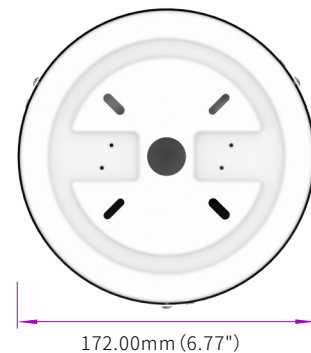
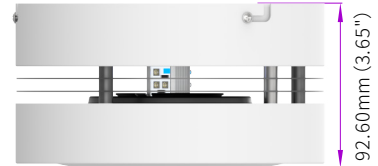
There is an ultraviolet upper air radiation device inside, which forms a UVC upper layer of the space. The inside fan of device causes the indoor air convection effect to remove the fine particles floating in the air. bacteria and viruses rise to the UV flat radiation layer, and use the upper air radiation to purify viruses and bacteria.



Product parameters

SPECIFICATIONS

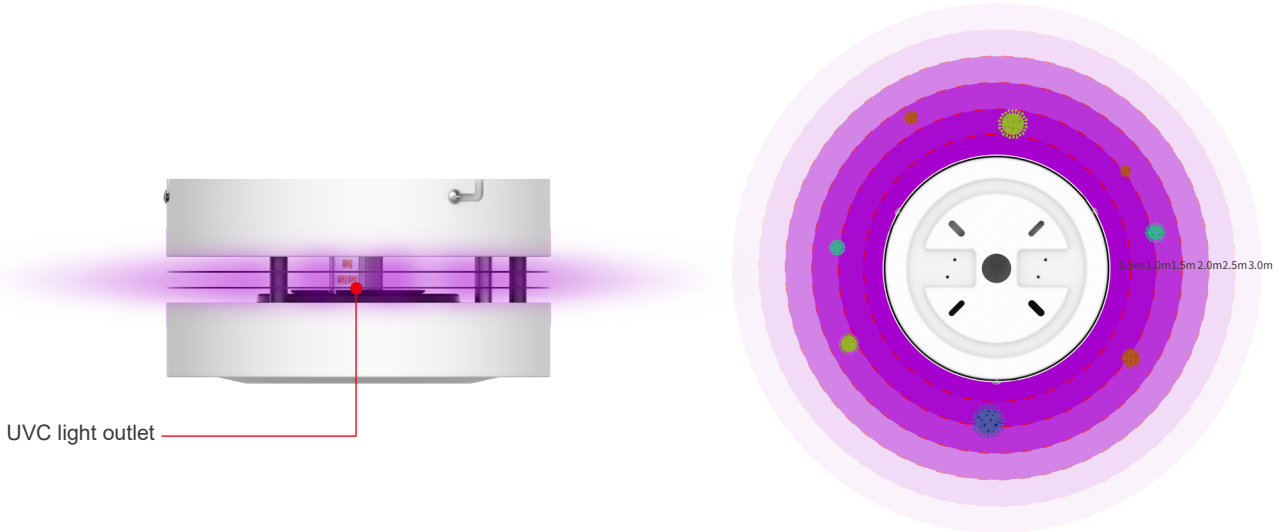
Model No.	U32-10W-01/02
Power(W)	10±2W
Input voltage(V)	100-277V AC
Wave length(nm)	275nm
Radiation Intensity (0.5m from the UVC Chip) ($\mu\text{W}/\text{cm}^2$)	25.38 $\mu\text{W}/\text{cm}^2$
UVC source type	UVC-LED with 30° quartz lens
LED life	lifespan up to 10000 hours UVC maintenance rate:≥70%
Working temperature(°C)	-10°C~+40°C
Product size(mm)	Ø172mm*92.6mm
Warranty	2 year



Product features

01 The light-emitting design of the circular upper air layer:

360° uvc outlet, improve the purification area, also high effective for virus. 2.3m installation height, safe for occupied area.



Test value of ultraviolet irradiance in the range of 0.5m~3m

360 ° light output

U32 Ultraviolet spectrum irradiance test value						
Test distance(m):	0.5m	1.0m	1.5m	2.0m	2.5m	3.0m
Value($\mu\text{w}/\text{cm}^2$):	25.38 $\mu\text{w}/\text{cm}^2$	6.47 $\mu\text{w}/\text{cm}^2$	3.73 $\mu\text{w}/\text{cm}^2$	2.33 $\mu\text{w}/\text{cm}^2$	1.91 $\mu\text{w}/\text{cm}^2$	1.54 $\mu\text{w}/\text{cm}^2$

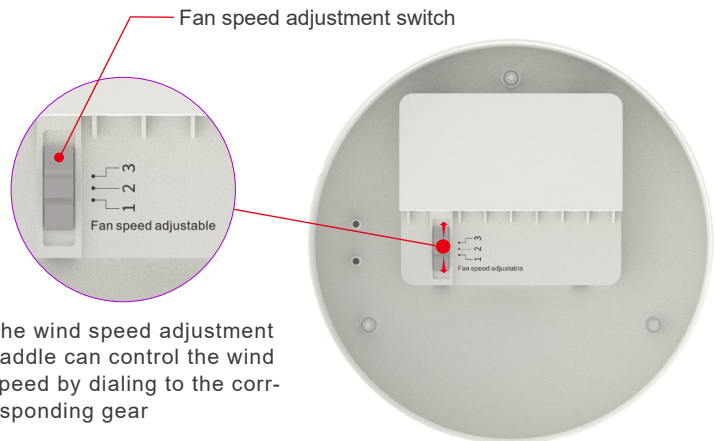
Note: This data comes from a third-party laboratory, the data is for reference only.

02 Fan speed adjustment:

The wind speed can be adjusted according to the actual application scene. The wind speed is divided into 3 gears, each of which is 1st gear, 2nd gear, 3rd gear.

Gear Parameters		
Level	Air Volume(CFM)	Noise(dB)
Level 1	6.5(CFM)	36.86(dB)
Level 2	8.7(CFM)	39.72(dB)
Level 3	12.7(CFM)	45.92(dB)

Note: This data comes from a third-party laboratory, the data is for reference only.



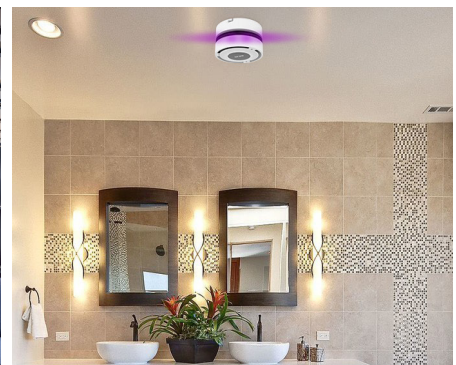
The wind speed adjustment paddle can control the wind speed by dialing to the corresponding gear



Level 1 Fan Speed: < 36.86dB
Application: Living room, Hotel, School



Level 2 Fan Speed: < 39.72dB
Application: Office, Hospital, Bank

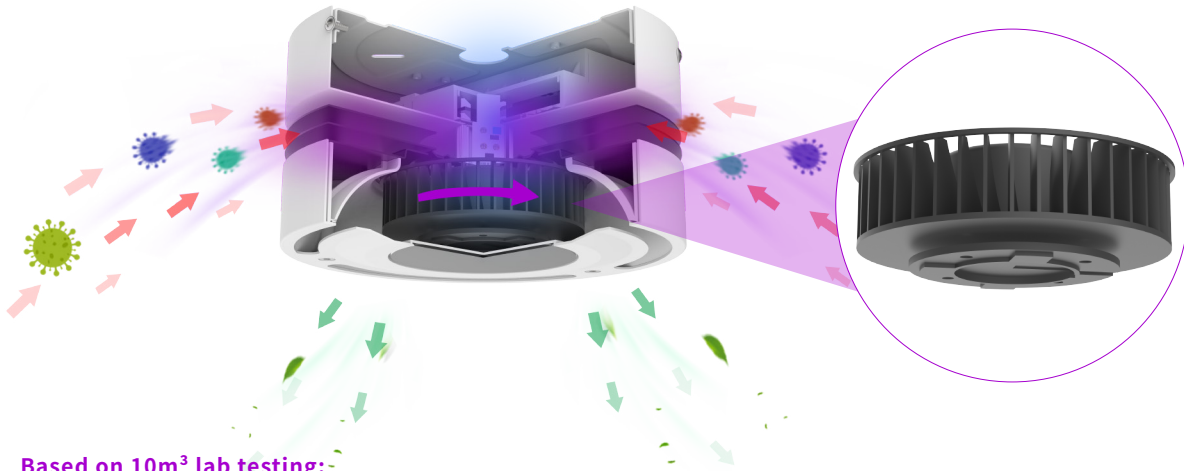


Level 3 Fan Speed: < 45.92dB
Application: Supermarket, Toilet, Kitchen

Product features

03 Centrifugal fan improves purification efficiency:

With high quality industry fan of 70000H lifespan, for better ventilation, air inlet at side and air outlet in the bottom, for more air flow to bring higher purification rate.



Based on 10m³ lab testing:

Fan gear	Bacteria	Spatial scope	Killing time (h)	Killing rate
1	staphylococcus albus	10m ³	2.5h	>72.1%
2	staphylococcus albus	10m ³	2.5h	>99.6%
3	staphylococcus albus	10m ³	2.5h	>99.9%

Note: This data comes from a third-party laboratory, the data is for reference only.

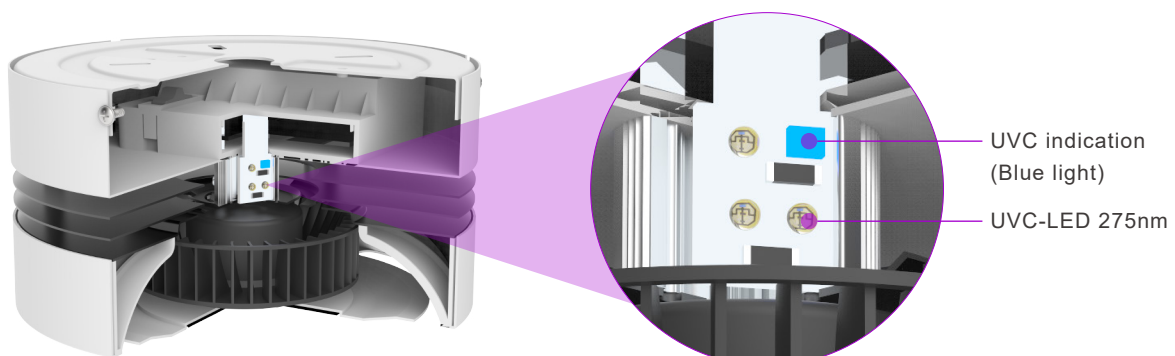
Recommended application, purification volume & time:

Fan gear	Category	Spatial scope	recommended purification time(h)
1	Purification volume corresponding to a single product (m ³)	25m ³	>3h
	Purification area corresponding to a single product (m ²)	10m ² (Irradiation size: 3.16*3.16m)	
2	Purification volume corresponding to a single product (m ³)	25m ³	>2.5h
	Purification area corresponding to a single product (m ²)	10m ² (Irradiation size: 3.16*3.16m)	
3	Purification volume corresponding to a single product (m ³)	25m ³	>2h
	Purification area corresponding to a single product (m ²)	10m ² (Irradiation size: 3.16*3.16m)	

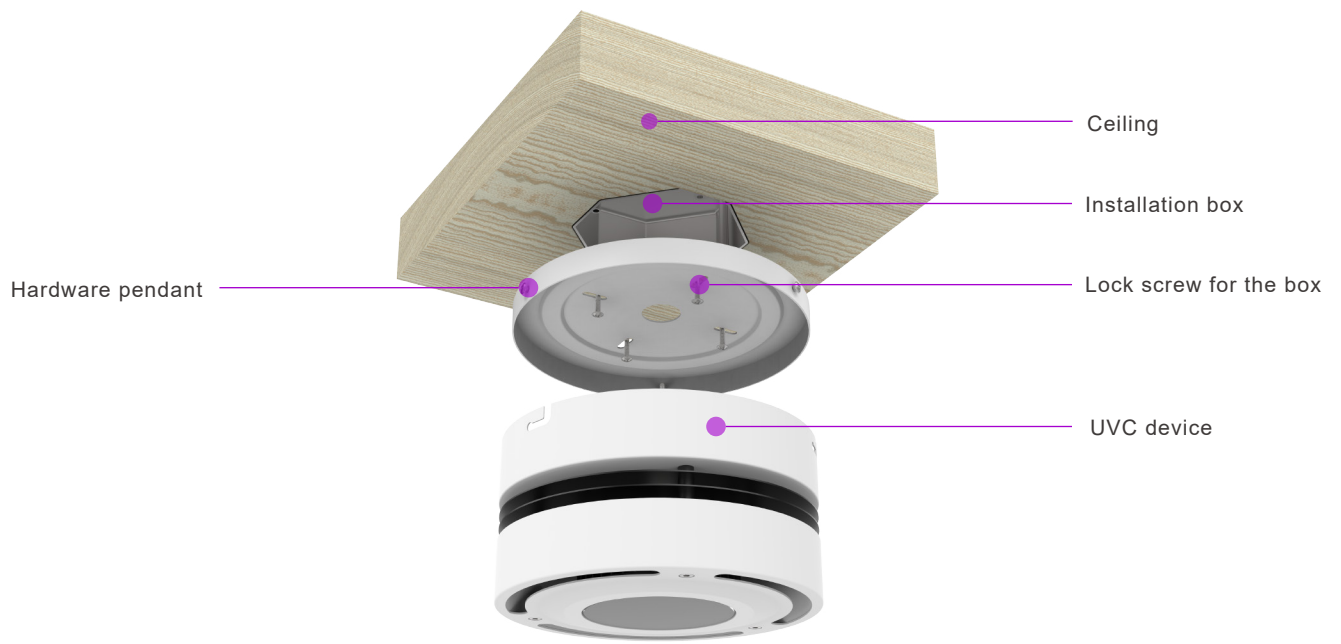
Note: Based on wall mounting installation in enclosed space, for detailed specs, please refer to the exact application; It is recommend to keep this device on always to purify the air.

04 Newest UV LED applied, longer lifespan:

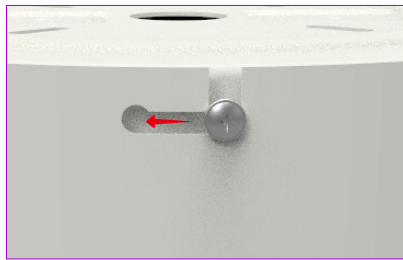
10000 hours UVC maintenance rate: ≥70%, built-in 3 sides of total 9pcs UVC LED.



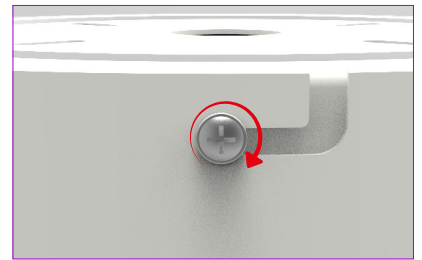
Installation method 1: Ceiling installation



Step ①: lock the cold-rolled sheet on the octagonal box..

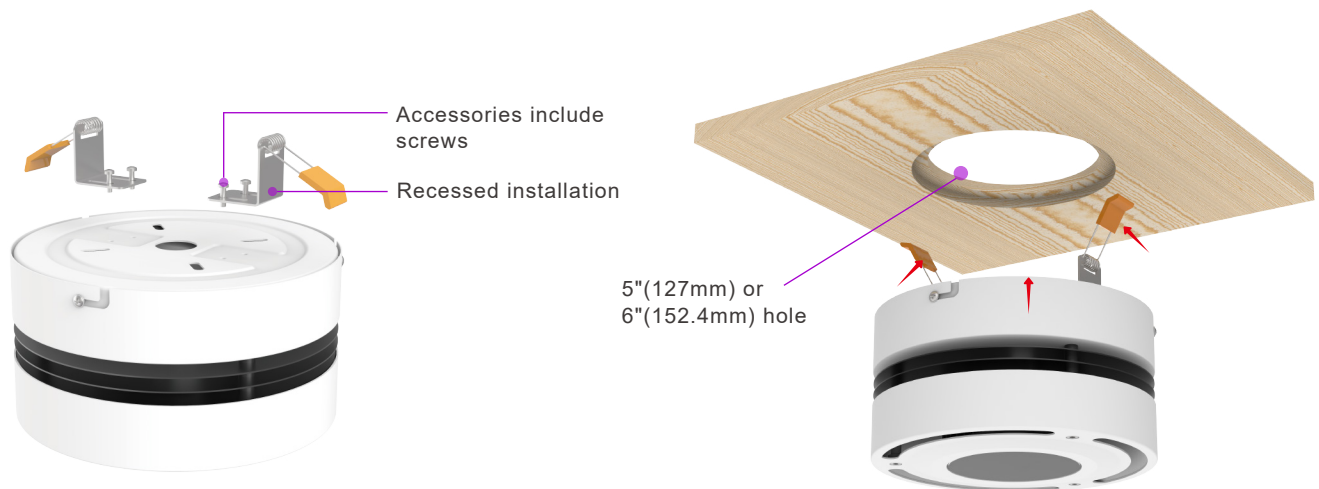


Step ②: Rotate the main unit into the card slot.



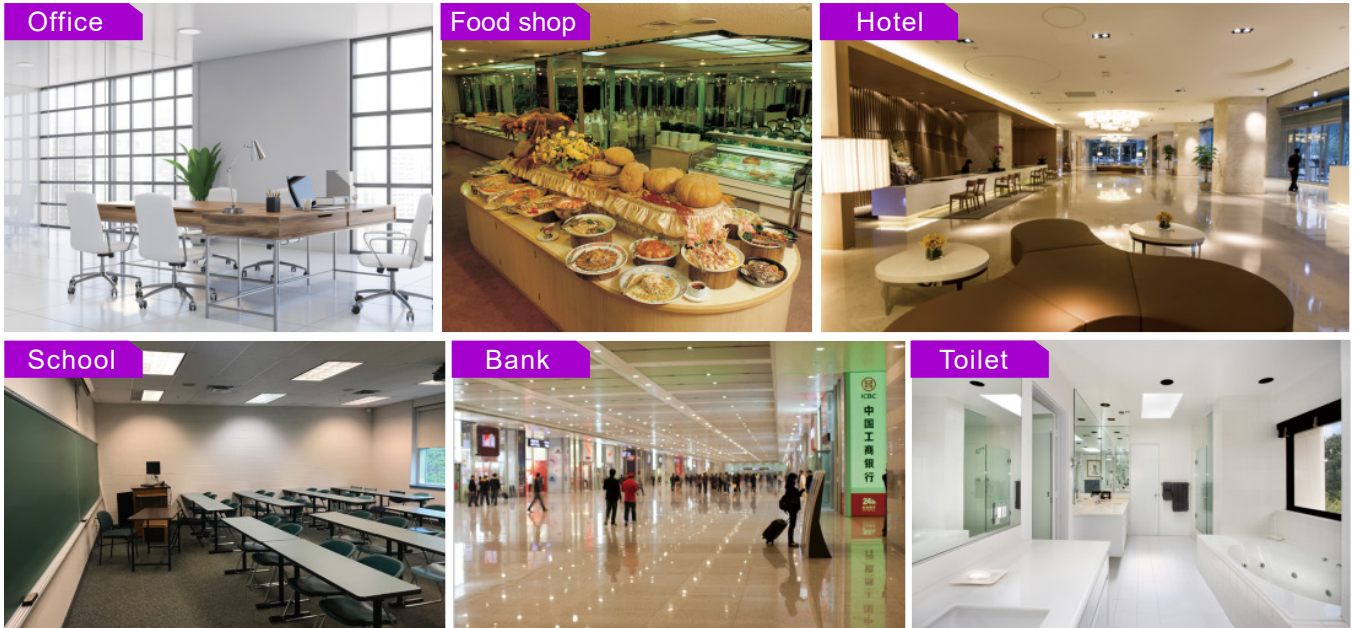
Step ③: Lock and fix the connection between the host and the cover by fixing screws.

Installation method 2: Embedded installation



Installation steps: Fix the embedded installation piece in the accessory bag on the host with a tool, and adjust the distance between the two installation pieces according to the 5-inch or 6-inch hole in the ceiling.

Applications



Application : Most indoor places like Office, Food shop, Hotel, Hospital, School, Bank, Toilet, etc.

Packing

Model No.	N.W per lamp (kg) (lbs=kgx2.2)	G.W per lamp (kg) (lbs=kgx2.2)	G.W per carton (kg) (lbs=kgx2.2)	Inner box size (mm) (x0.0393=inch)	Outer box size (mm) (x0.0393=inch)	Quantity per carton
U32-10W-01/02	1.33kg	1.53kg	16kg	185*98*185mm	575*310*203mm	9pcs/Carton

S/N	Name	Qty
1	UVC Device	1
2	Recessed Installation Accessories	1
3	Inner Color Box	1
4	User's Manual	1
5	Giftbox	1
6	Master Carton	1

⚠ Disclaimer:

- The ultraviolet rays of this product cannot be used for lighting purposes and in applications or activities which may cause and or lead to death, personal or animals injury and/or damage to the environment.
- UV-C luminaires systems must only be sold and installed and replaced by professionals according to our stringent safety and legal requirements.
- When using this UVC product for indoor, please close the doors and windows, keep the room clean and dry, and reduce dust and moisture.
- When UVC is irradiated on the object for a long time, it will cause irreversible damage to the object that is not UV resistant, and the object may undergo chemical or physical changes, such as the plastic items that are not UV resistant will become brittle and breakable. When using this UVC product, if there are UV-sensitive items such as oil paintings, plants, and utensils that are within the range of the upper air UV radiation, they should be covered, otherwise, they may be aged or damaged.
- The installation height of the UVC upper air device should refer to the user manuals and/or the mounting instructions. Within the range of ultraviolet radiation, if the wall or ceiling is a smooth reflective surface (such as mirrors, bright stainless steel, etc.), there is a risk that the ultraviolet rays will be reflected the safety area of below 2.1m.
- We do not promise or warrant that the use of the Products will protect any user from or prevent infection and/or contamination with any viruses, bacteria, protozoa, fungi, illness or disease.
- There is high efficiency UVC generating device inside. No disassemble and open it except the professionals, as it may cause injury when ultraviolet rays are directly exposed to eyes or skin. Maintenance personnel need to wear professional uv protection goggles and skin protection before repair.
- The UVC Products are not intended for and must not be used for medical purposes.
- In addition to and without limitation of any exclusions or limitations of liability of us as set forth in any agreement for the sale, distribution or otherwise making available of the UV-C lamp/fixture/devices, we shall have no responsibility or liability whatsoever for any claim or damage that may arise from or relate to any use of the UV-C lamp/ fixture/devices outside of their intended use or contrary to their installation and operation instructions, each as described in this document, the user manuals and/or the mounting instructions.
- The product must be designated by the manufacturer's professional and technical personnel, other personnel are not allowed to dismantle or replace without authorization.



SHENZHEN GUANKE TECHNOLOGIES CO.,LTD

Add: Floor 19/20, block B, building 4 Huaqiang Creative industrial park,biyan community, guangming street, guangming district, shenzhen

Tel: +86 755 27165559

Fax: + 86 755 27543939

E-mail: info@gkuvc.com

Web: www.gkuvc.com