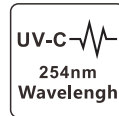
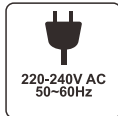




GKU15-06

145W

AIR PURIFICATION UVC PURIFICATION TROFFER LIGHT



Device Parameters

Power (W)	145W	Remote Control Type	Infrared Control
Voltage (V)	220~240V AC	Dimension(mm)	595*595*142.8mm
Lumen (lm)	4700(5000K)/4800(4000K)/4500(3000K)	Work Temperature (°C)	-5°C~+40°C
Color Temperature(K)	3000K/4000K/5000K	Working Environment Humidity(RH)	≤80%RH
Storage Temperature (°C)	0°C~+60°C	Remote control detection angle	120°
Installation height(M)	≥2.1M	Installation Options	Hanging/embedded installation

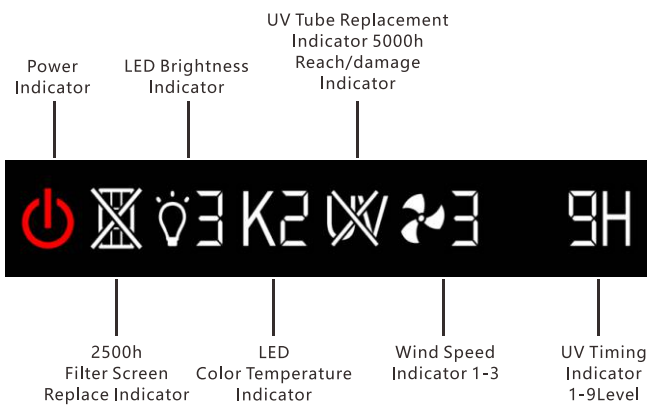
LED Parameters

Power (W)	Lumen (LM)	CCT (K)	PF	CRI(Ra)	Light Effect (Lm/W)
50	≥4500	3000/4000/5000	≥0.9	≥80	≥90

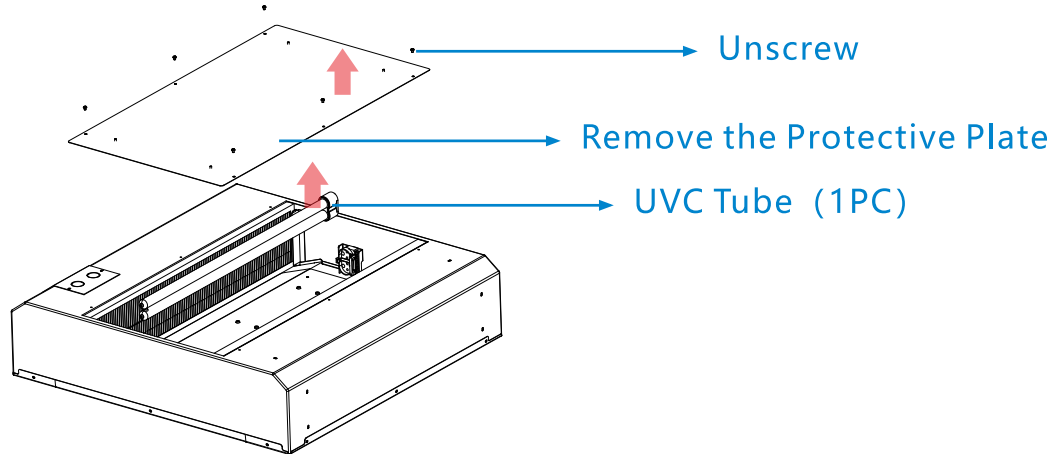
UVC Parameters

Power (W)	UV Output (μW/cm ²)	Work Temperature (°C)	Length (mm)	Diameter (mm)	Lifespan (H)	Storage Temperature (°C)
75	165 (Naked light test at 1 meter distance)	-5°C~+40°C	530	17	5000	0°C~+60°C

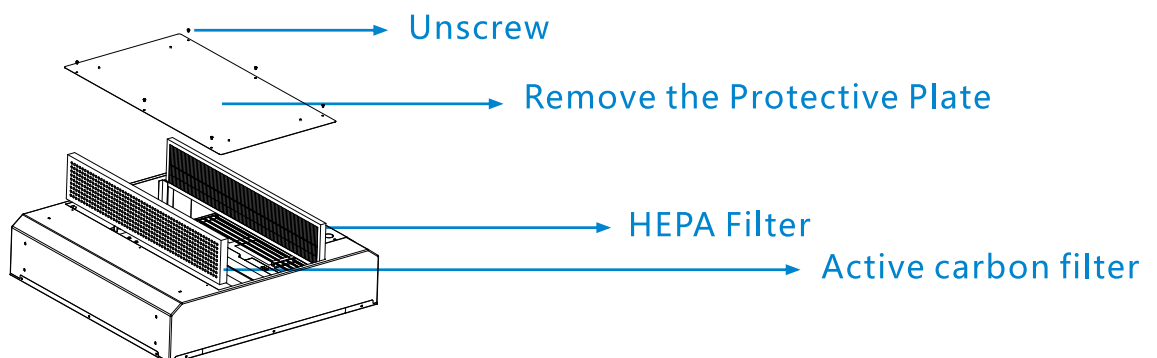
LED Display



UVC Tube Replacement



Filter Replacement



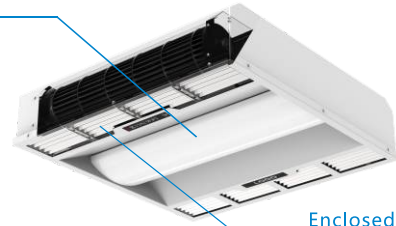
Features

Enclosed UVC Light Source

The UVC light source is in a light-enclosed space. Irradiate the accelerated airflow to eliminate the viruses and bacteria. Therefore, This allows for the purification of the air in an enclosed space, while ensuring that day to day business activities can continue underneath that area while the device is active.

Notice: The warranty of UVC tube is 1 year

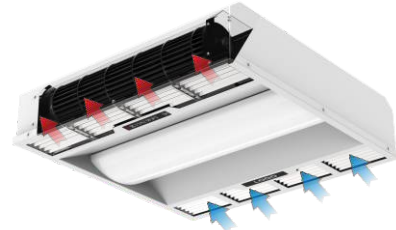
LED Light



Enclosed UVC Light Space

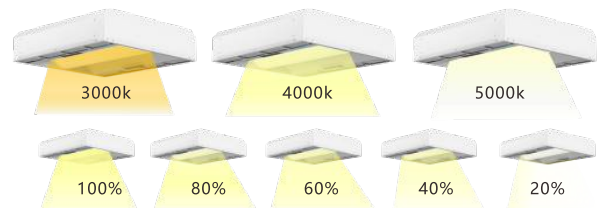
Air Circulation System with Filters

Special Air circulation system accelerate the airflow to improve the efficiency of eliminating the viruses. Designed with HEPA and Active filters can effectively filter and clean the air.



LED troffer Light

LED Color Temperature Adjustable;
LED Brightness Adjustable 20%/40%/60%/80%/100%;

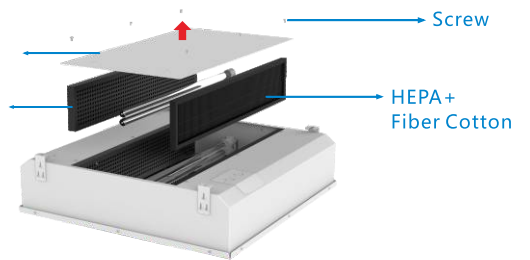


Replaceable Filters and UVC Tubes

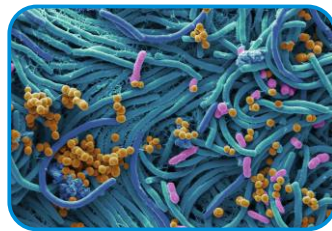
The HEPA will filter the particles to make sure the light-enclosed space is clean, which can filter 99.7% of particles ≥ 0.3 microns.

Remove the Protective Plate to replace the UVC tubes and filters

Active Carbon+ Antibacterial Agents



E. coli effective elimination rate is 99.9%



Effectively purification Staphylococcus aureus 99.9%

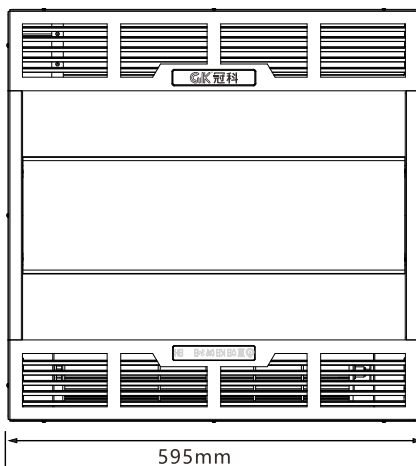


Effectively purification the virus 99.9%



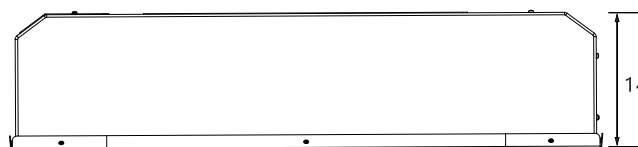
Schematic diagram of UV disinfection

Dimension



595mm

595mm

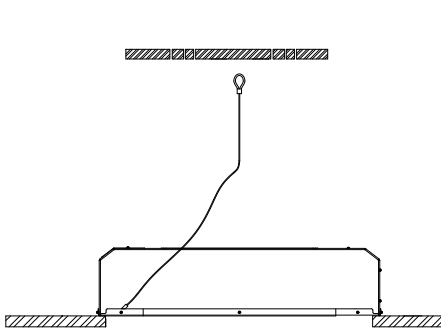


142.8mm

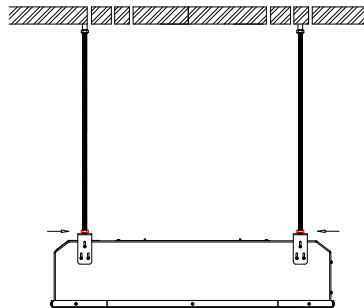
Application



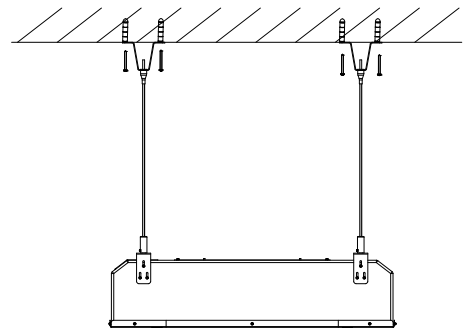
Installation Methods



Embedded into the Ceiling



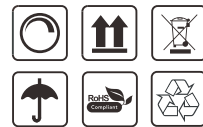
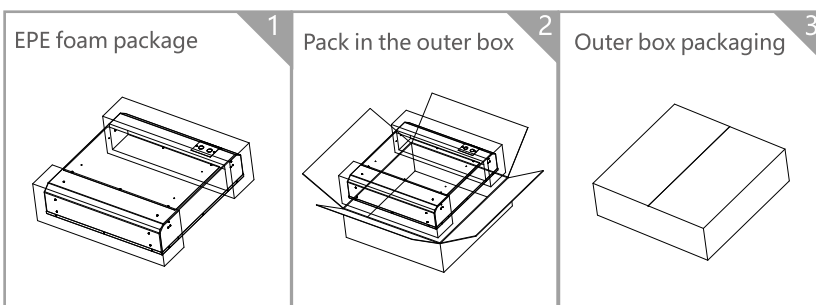
Hanging



Stainless steel rope hanging

Package

NW/Device (kg) (lbs=kgx2.2)	GW/Carton (kg) (lbs=kgx2.2)	Carton Size(mm) (x0.0393=inch)	Quantity / Carton
10kg ±200g	12.5kg±200g	677x677x212mm	1PCS



⚠ CAUTIONS

- Risk of electric shock. Do not use where directly exposed to water.
- Do not take apart the device without our permission.

Disclaimer

1. The ultraviolet rays of this product cannot be used for lighting purposes and in applications or activities which may cause and or lead to death, personal or animals injury and/or damage to the environment.
2. UV-C luminaires systems must only be sold and installed and replaced by professionals according to our stringent safety and legal requirements.
3. When using this UVC product for indoor, please close the doors and windows, keep the room clean and dry, and reduce dust and moisture.
4. When UVC is irradiated on the object for a long time, it will cause irreversible damage to the object that is not UV resistant, and the object may undergo chemical or physical changes, such as the plastic items that are not UV resistant will become brittle and breakable. When using this UVC product, if there are UV-sensitive items such as oil paintings, plants, and utensils that are within the range of the upper air UV radiation, they should be covered, otherwise, they may be aged or damaged.
5. There is high efficiency UVC generating device inside. No disassemble and open it except the professionals, as it may cause injury when ultraviolet rays are directly exposed to eyes or skin. Maintenance personnel need to wear professional uv protection goggles and skin protection before repair.
6. The UVC Products are not intended for and must not be used for medical purposes.
7. In addition to and without limitation of any exclusions or limitations of liability of us as set forth in any agreement for the sale, distribution or otherwise making available of the UV-C lamp/fixture/devices, we shall have no responsibility or liability whatsoever for any claim or damage that may arise from or relate to any use of the UV-C lamp/fixture/devices outside of their intended use or contrary to their installation and operation instructions, each as described in this document, the user manuals and/or the mounting instructions.
8. The product must be designated by the manufacturer's professional and technical personnel, other personnel are not allowed to dismantle or replace without authorization.

Warnings and Safety:

An UV-C lamp/fixture/device product breaking is extremely unlikely to have any impact on your health. If the UV-C quartz tube breaks, ventilate the room for 30 minutes and remove the parts, preferably with gloves. Put them in a sealed plastic bag and take it to your local waste facilities for recycling. Do not use a vacuum cleaner.



Floor 19/20, Block 4B#, Huaqiang Creative industrial park,
Biyuan Community, Guangming St., Guangming Dist.,
Shenzhen 518107, China

Tel: +86-755-27165559
E-mail: info@gkuvc.com

Fax: +86-755-27543939
Web: www.gkuvc.com