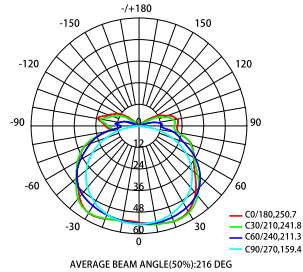


# UVC LINEAR MANUAL

## Ultraviolet Purification Lamp

### Product Features and Specification model:

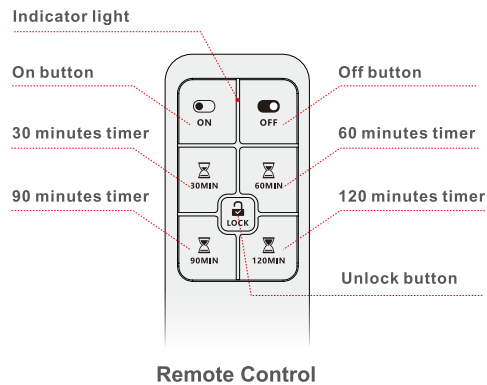
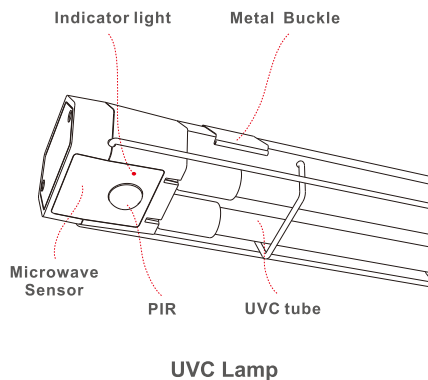
Built-in dual protection of microwave induction and PIR induction, which can automatically turn off the UVC lamp when someone passes by. A variety of interfaces are reserved for connection to the mains, and double insulated cables can be used, or metal hoses can be used for wiring. High-strength barbed wire protection design. It can prevent the UVC lamp tube from being stably removed from the lamp, and also prevent the lamp tube from being damaged when the lamp is moved to install, and prevent the UVC lamp tube from being crushed by foreign objects.



### U12 UVC LAMP SUGGESTED AREA AND TIME

MODEL	Influenza ( $\mu\text{W}\cdot\text{S}/\text{cm}^2$ )	Purification time/area for 1 meter distance to lamp	Purification time/area for 1.5 meter distance to lamp	Purification time/area for 2 meter distance to lamp	Purification time/area for 2.5 meter distance to lamp	Purification time/area for 3 meter distance to lamp	Purification time/area for 3.5 meter distance to lamp
U12-40W	6600	1min <sub>2</sub> ( 3.55m <sup>2</sup> )	2min <sub>2</sub> ( 7.23m <sup>2</sup> )	4min <sub>2</sub> ( 12.19m <sup>2</sup> )	7min <sub>2</sub> ( 18.43m <sup>2</sup> )	12min <sub>2</sub> ( 25.95m <sup>2</sup> )	21min <sub>2</sub> ( 34.74m <sup>2</sup> )
U12-60W		1min <sub>2</sub> ( 4.06m <sup>2</sup> )	1.5min <sub>2</sub> ( 7.98m <sup>2</sup> )	2min <sub>2</sub> ( 13.19m <sup>2</sup> )	4min <sub>2</sub> ( 19.67m <sup>2</sup> )	6min <sub>2</sub> ( 27.43m <sup>2</sup> )	8min <sub>2</sub> ( 36.47m <sup>2</sup> )
U12-80W		1min <sub>2</sub> ( 4.57m <sup>2</sup> )	1.5min <sub>2</sub> ( 8.74m <sup>2</sup> )	2min <sub>2</sub> ( 14.18m <sup>2</sup> )	3min <sub>2</sub> ( 20.91m <sup>2</sup> )	4min <sub>2</sub> ( 28.92m <sup>2</sup> )	6min <sub>2</sub> ( 38.2m <sup>2</sup> )

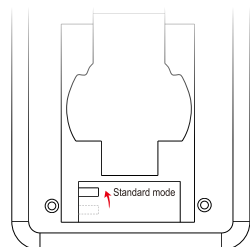
### Instructions



### Manual of remote controller:

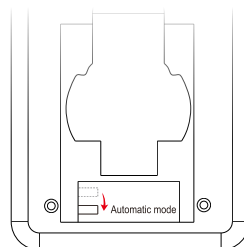
Manual of remote controller (choose the model before using)

Two models: standard model and automatic model, switch button under back battery.



#### Standard model:

When the module is triggered to turn off the light, it will not start automatically after detecting no one there. If you need to turn on the light, you need to press the ON button.



#### Automatic model:

When the movement detected, lamp turn off; then lamp will turn on in 2 minutes when no movement detected; and it will go for repeated process like this if any movements detected.

### Manual of remote controller (please select model before using)

1. Two models: standard model and automatic model, swift button under back battery.
2. Standard model: the lamp not automatic on after 2 minutes without detection.
3. Automatic model: the lamp automatic on after 2 minutes without detection.
4. Power the lamp with voltage within the range on lamp, otherwise the lamp will be broken.
5. Press the "lock" button to start. choose any button, it will take around 18 seconds to turn on after the sounds stop.
6. The continuous sounds to warn people out of the purification area asap.
7. Five different purification time setting (ON/30MIN/60MIN/90MIN/120MIN) ; "ON" means no time limited.
8. If you want to cancel the time setting, press OFF. Each time the lamp sounds around 18 seconds then on without detection.
9. Our remote controller is well paired with lamp one on one, considering about too sensitive signal.
10. After the lamp is powered on, press the "120MIN" button within 5 seconds, you can rematch the remote with the lamp.

**Note: Other buttons are out of function, if the "lock button" not pressed**

#### Prompt tone description:

The main unit prompts intermittent or continuous sound, and the indicator light flashes to indicate that the UVC lamp is about to turn on. Warn people or animals to leave the illuminated area as soon as possible to prevent injury from UVC exposure.

#### Sensor description:

Sensor detection: 1 Microwave + 1 PIR sensor, automatically turn on once the light switch on. The light will be tun off automatically when unintended entry detected.

#### Battery manual instruction:

Take off the tape on battery (model: CR2032 3V) for first time use, press any key, there is light, means OK for the remote controller.

### ⚠ CAUTIONS

1. Press the "LOCK" button before operating other function buttons.
2. After the UVC lamp is working normally, the lamp is turned off by the artificial trigger sensor module. If there is no abnormal detection within 2 minutes, the lamp will automatically turn on and work normally. The suspended time will not count in the timer.
3. The signal of the remote control is a non-linear wave signal, and might be work through a wall.

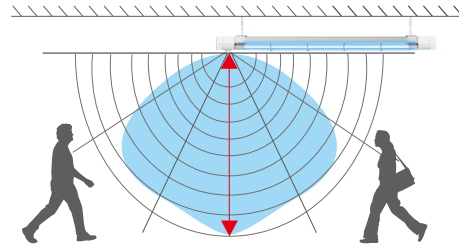
## Technical Specifications

Operating temperature : -10 ~ + 35°C,  
Operating environment humidity: <80% ,  
Storage temperature: -20 ~ + 60°C ,  
Sensor detection range: 360 degrees,  
Sensor detection distance: 0-5 meter,  
Sensor type: 1Microwave + 1 PIR sensor,  
Remote control distance: 10 meter.

Principles and purification factors  
purification factor: Ultraviolet 253.7nm  
The principle of purification: Use the C-band ultraviolet light emitted by the ultraviolet lamp to destroy the bacteria and DNA of bacteria for purification.

#### Applications:

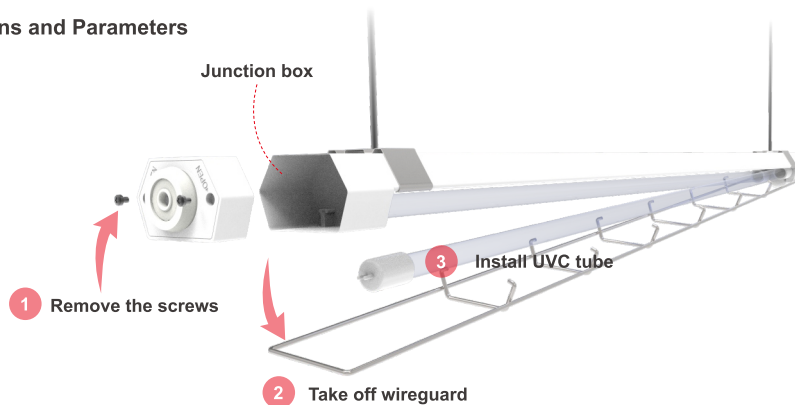
The product is suitable for purification of indoor places such as medical institutions, schools, offices, commercial places, product industry, pharmaceutical industry and household use.



Sensor detection distance:  
5 meter(16.4ft)

## UVC Operation instructions for lamp tube installation

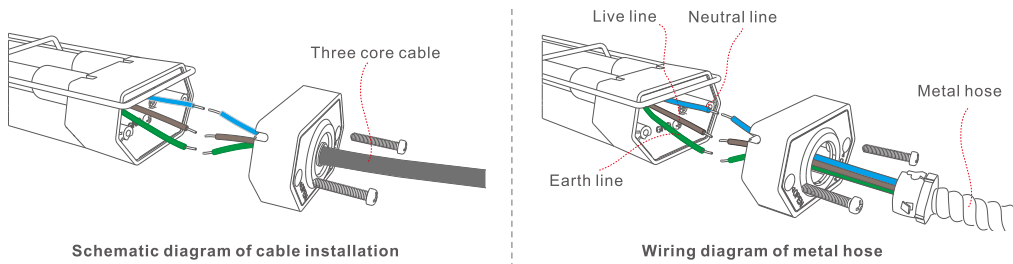
### Parts functions and Parameters



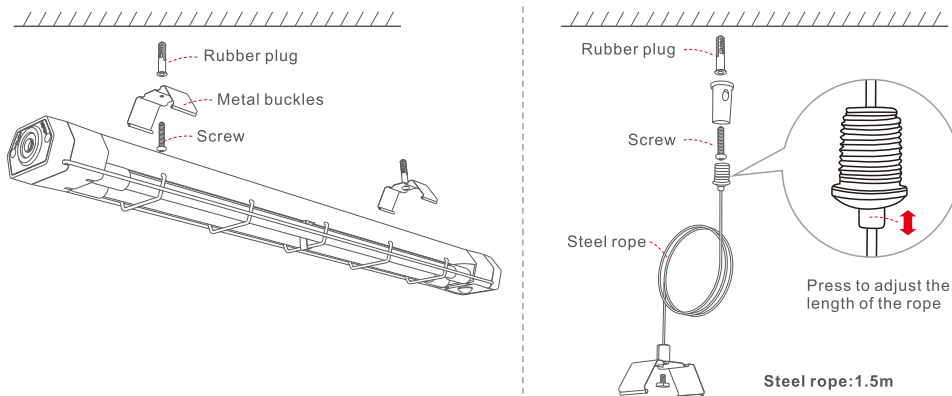
### ⚠ Caution

1. Please make sure the input voltage within the range on the lamp.
2. Before installation, remove the bubble cotton on the tube otherwise the lamp will not have purification function.

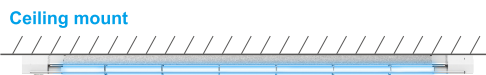
## Wiring instruction



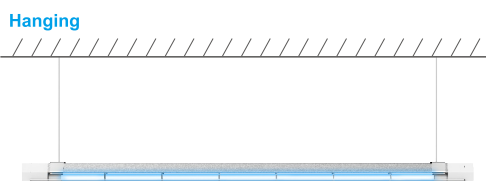
## Installation diagram (wall mount and hanging)



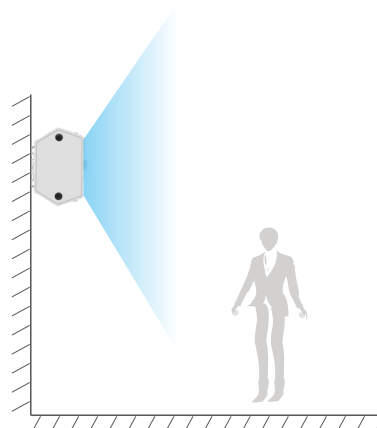
## Different installation



**Recommended installation height: 2.6-4 m**



**Recommended installation height: 2.6-4m**



**Recommended installation height: 2.3-4m**

**Note : The sensors are added adaptive function to avoid false trigger, and the sensing distance is intelligently adjusted from short to long, and it will be stable with 5 meters after 1 min.**

## Precautions for use

1. Only professional maintenance is allowed, so as not to damage the precision electronic components.
2. If the ambient temperature is too high (above 35 °C), the PIR sensing distance will be shortened (It is normal). At the same time, there is a possibility that the lamp is turned off by mistake, do avoid installing the lamp in direct air flow location (such as: cold / hot water outlet, exhaust fan, near the electric furnace, etc.). The sensor head cannot be blocked or covered otherwise there will be a risk of PIR sensor failure.
3. The microwave sensor may turn off the light by mistake in heavy rain. The lights will be turned off by mistake when there is a sewer pipe flowing around. Poor sensing of objects moving at a uniform speed. There should be no metal shielding in front of the microwave sensor. There must be no vibration at the installation location, which will turn off the lights by mistake.
4. Keep a distance of 1 meter at least between each light, otherwise the microwave sensor might fail to detect.

## Trouble shooting

No.	Failure analysis	Solution
1	No beep (the indicator light is off)	1. Confirm whether it connect to the main power; 2. Confirm whether the remote control has a battery and whether the positive and negative batteries are installed correctly;
2	No beep (the indicator light will be turn on)	Please send it back for repair;
3	Prompt sound (indicator light not turn on)	Please send it back for repair;
4	Remote dose not work	Confirm whether the host is powered on. If the host is powered on, press the remote control "LOCK" first, and then press other function buttons; Whether the voltage of the remote control battery is too low, the battery needs to be replaced;
5	"UVC lamp" can not turn on	Confirm whether the lamp is powered on. If the lamp is powered on, confirm the remote control is operating correctly or try to replace another new tube to confirm whether the tube is dead, if there is still not work then return to repair.
6	The light appears to trigger the light off	Check whether the "Precautions" in this manual. If you have avoided the high-level issues and still have no improvement, please return to repair; Confirm whether the ambient temperature exceeds the operating temperature of the whole lamp.

### Warning:

1. UVC is harmful to human body or animals, please do not expose directly to the skin and eyes, please leave immediately once the lighting buzzing.
2. If the body is slightly uncomfortable, please leave the UVC light source immediately.
3. In severe cases, headache, dizziness, increased body temperature, eye irritation, or decreased vision, Skin irritation, itching, swelling, etc. please consult your doctor immediately.



## Additional Note:

1. The product cannot be used for lighting purposes.
2. The product can only be used for the purification of the object surface and air, can not be used for the purification of the surface of the human body. During the use of the product, the surface of UV purification lamp should be kept clean. If there is dust or oil on the lamp surface, please wipe it in time. It is recommended to wipe it with a damp cloth and then dry it. Never rinse it with water.
3. When you use the product for indoor air purification, please close the doors and windows to keep the room clean and dry, and reduce dust and moisture. If the room temperature is lower than -10 degrees or higher than 35 degrees, it is not recommended for use. Please open the doors and windows for 10 minutes after purification.
4. When using this product to purification the surface of objects, keep a distance of not more than 1.2 meter from the irradiation surface. The closer to the lamp, the better the purification effect. The best purification location is near the lamp tube. If there are paintings, plants, utensils, and other ultraviolet sensitive items in the room, they should be covered.
5. Long time to irradiate UVC to the object, irreversible damage will occur to the object that is not resistant to ultraviolet rays, and the object will have chemical changes, If the surface of the white object is exposed, the illumination will change the objects color that will appear in pale. Plastic items that are not UV resistant will become brittle.
6. After purification, please put away the product and the remote control to avoid accidental light on and accidental injury.
7. If the UV purification lamp is accidentally broken, it should be ventilated in time and wear gloves or clean up with a mercury vacuum cleaner or with other suitable means that avoids generating dust and mercury vapor. Do not use a standard vacuum cleaner.
8. After handling broken lamps, remove protective clothing and thoroughly wash hands before eating, smoking, or using toilet facilities

## Warranty

Within 1 year after the purchase date, you can get free warranty service if the defective caused by the manufacturing process, technology, and components. The free service cannot be obtained under the following circumstances:

1. Beyond the effective service or free maintenance period.
2. Man-made damage caused by improper use. For example, improper installation, use not in accordance with the instructions, damage caused by incorrect use, etc. Damage caused by transportation or other accidents. Other damage caused by force majeure (such as natural disaster, abnormal voltage, etc.)
3. The normal product aging, wiring, etc., which does not affect the normal use of the product. Other non-product design, technology, manufacturing, quality and other problems cause failure and damage.