



GKL35-60W-01 | PURIFICATION TROLLEY

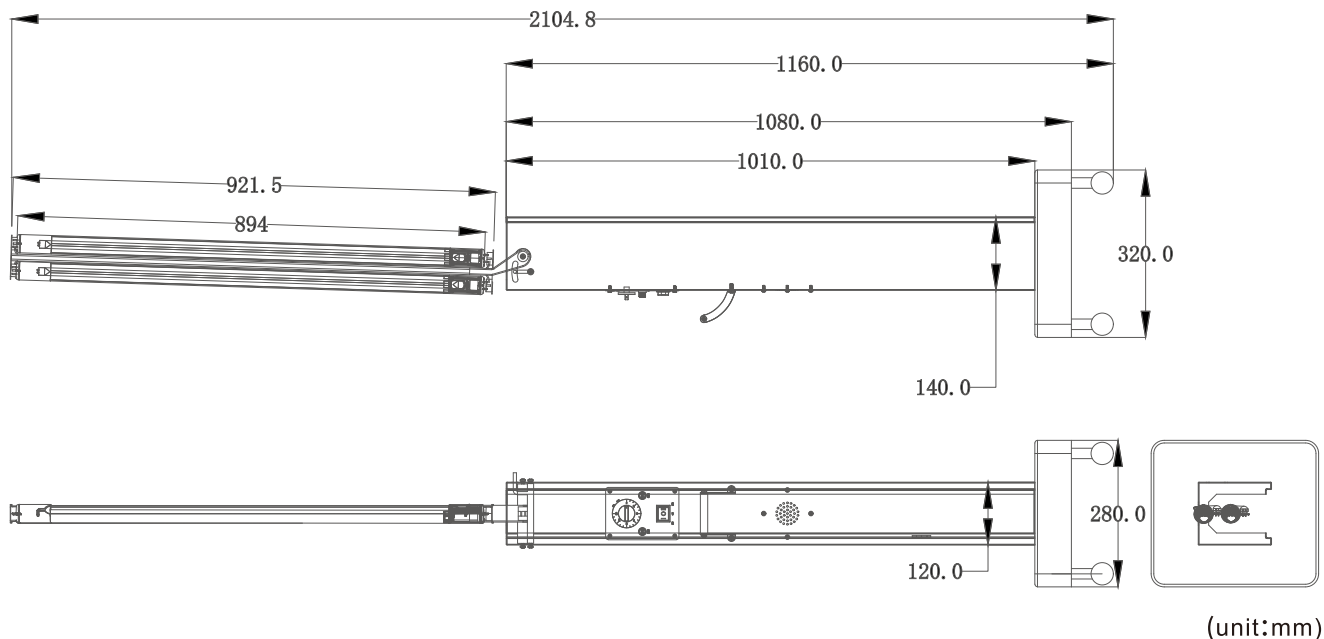


Specification

Model	Watt	Input Voltage	Cable type	Tube Type	Dimension	Working Temperature (°C)	Warranty	Color
L35-60W-01	60W±20%	100-120V/220-240V 50~60Hz	Default American 3pin plug (customizable)	U18-30W-01(2pcs) U18-30W-02(2pcs) T8- G13-894mm	280*320*1160mm	10~35°C	UV tube-1 year trolley bracket-3years	White

Tube type note: According to input voltage, UV tube is available for U18-30W-01 (100-120V) / U18-30W-02 (220V-240V) or T8-G13-894mm tube with rectifier that coincidence with input voltage on the market (Power is less than or equal to 30W).

Dimensions

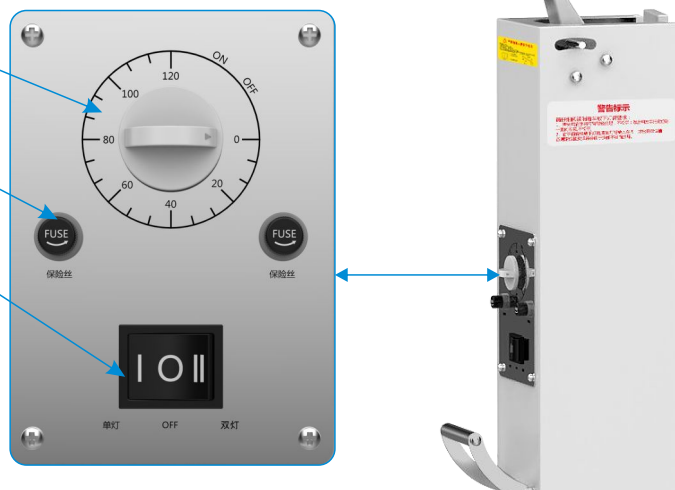


Control panel introduction

The mechanical timing can realize 0-2 hour timing switch

2 fuses

The mechanical switch can realize the on/off control of 1 single tube or 2 tubes



Product overview

This product is designed on the basis of U18-30W purification tube. The arm has a adjustable angle of 0-180°; The whole trolley is movable with universal wheels and can be parked at fixed points with brakes.

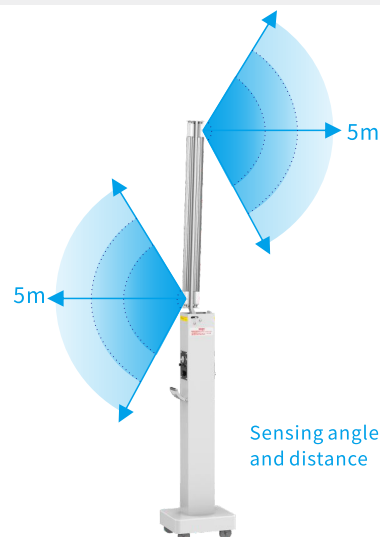
Principle and purification factor

Ultraviolet wavelength: 254nm

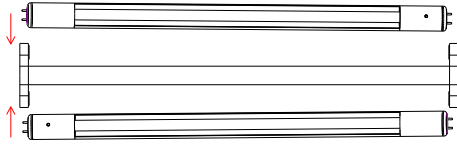
purification principle: using the C-band ultraviolet light emitted by the ultraviolet tube to destroy the DNA and RNA structure of bacteria and virus

Sensor detection distance: 0-5M

Sensor detection range: 360°



Installation of UVC tubes



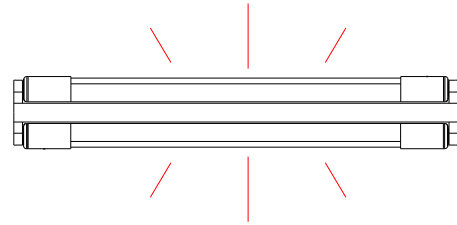
Step 1: Install the two tubes in the fixture/arm in different directions of sensors



Step 2: The two tubes have been fixed in the arm



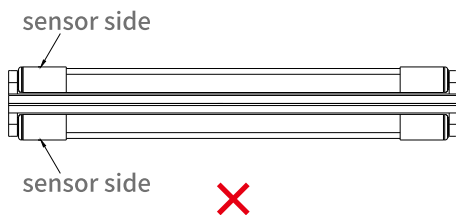
Step 3: Rotate the two tubes 90 degrees each



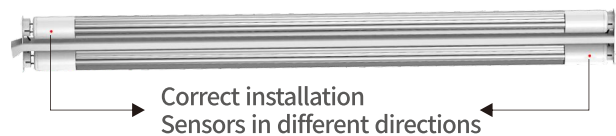
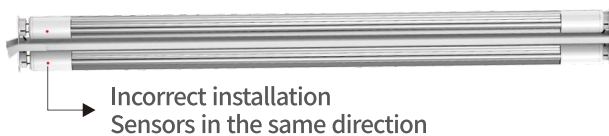
Step 4: Turn on the power after the installation is complete

⚠ Cautions:

U18 UVC tubes should be installed crosswise since the distance between the fixtures is less than 15cm (microwave sensors in two directions), otherwise interference will be caused.



Example of installation

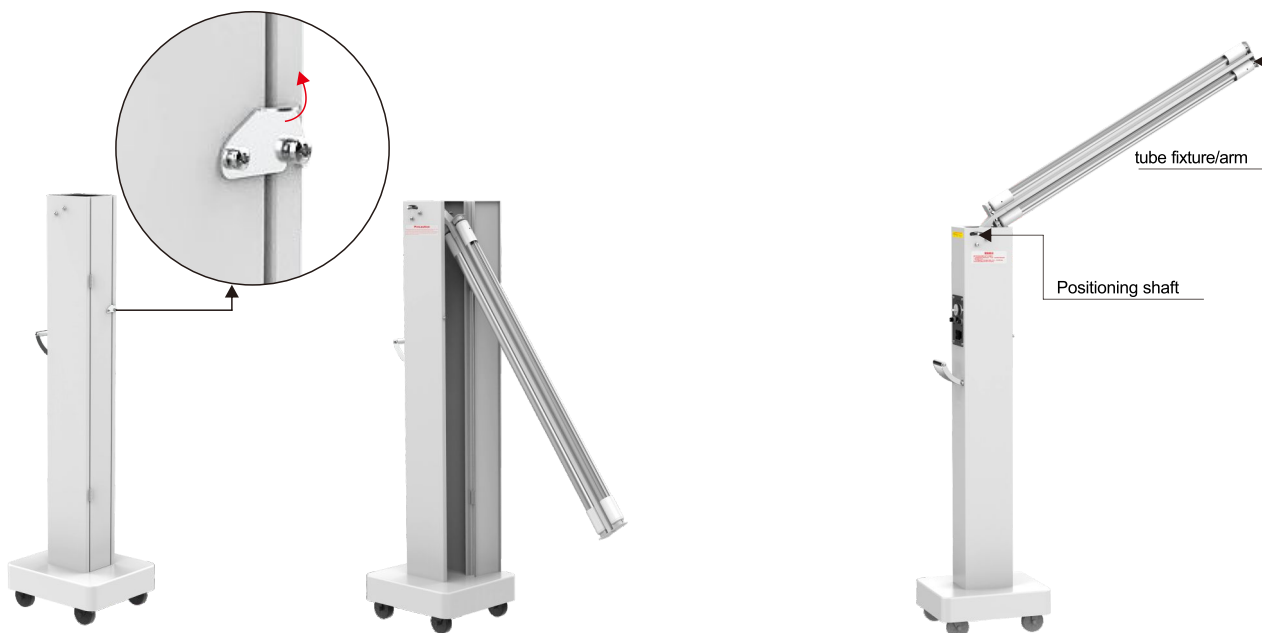


Application



It is suitable for purification of indoor places such as medical institutions, schools, offices, commercial places, food industry, pharmaceutical industry and households.

Operation of the trolley arm



Rotate upwards to the open state, open the trolley, and raise the arm to required position.

Please gently lift the arm first, without letting go; then turn the positioning shaft to the far right, and gently lower the arm to the bottom so the unit is folded up.

Packing

Model	NW(kg) (lbs=kgx2.2)	GW(kg) (lbs=kgx2.2)	Carton Size (mm) (x0.0393=inch)	Quantity
L35-60W-01	9.4KG	11KG	1170*310*345 mm	1pc/carton

Packing details

No.	Name	Qty.
1	Carton	1PCS
2	L35-60W/paper card1	1PCS
3	L35-60W/paper card2	1PCS
4	PE bag	1PCS
5	trolley bracket	1PCS
6	L35-60W/paper card3	1PCS
7	L35 Pearl Wool	1PCS
8	L35 Instruction	1PCS
9	Carton Label	/PCS

