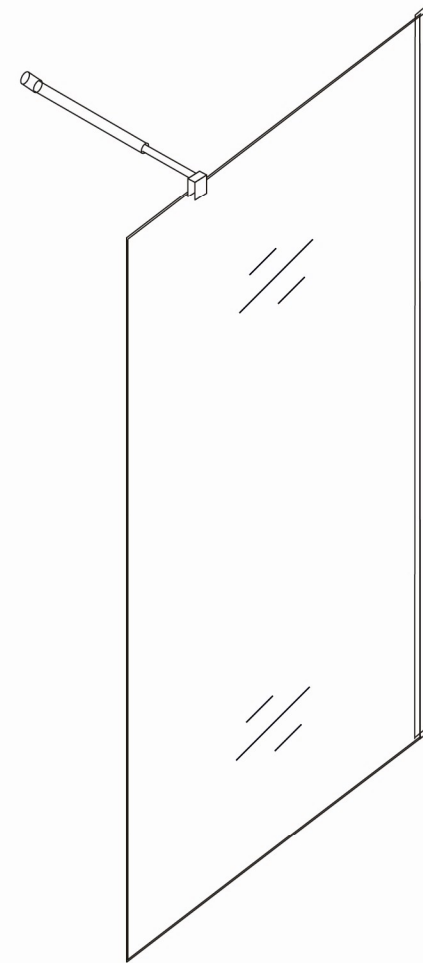
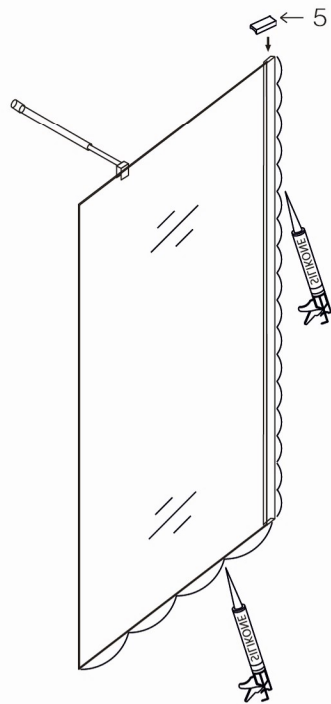
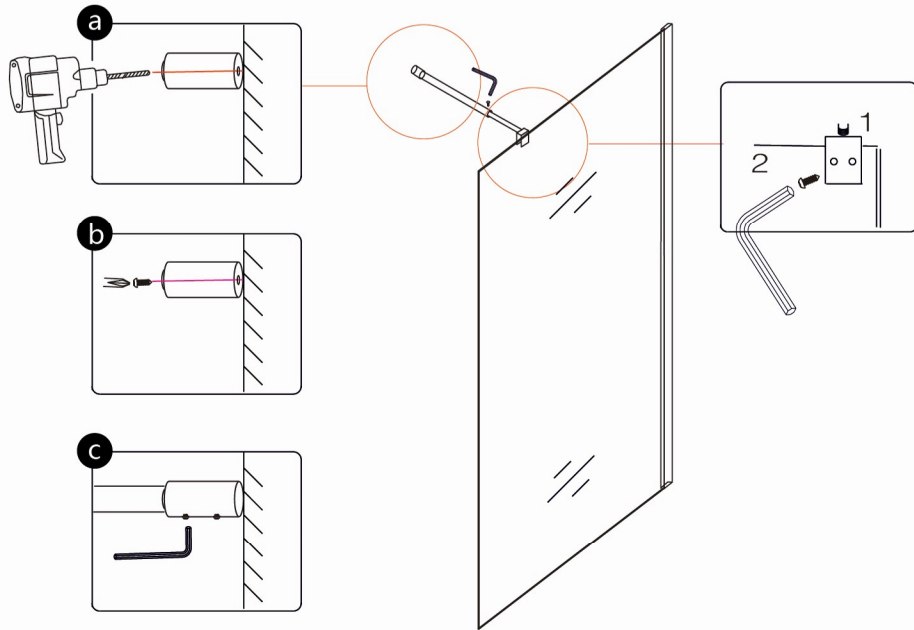
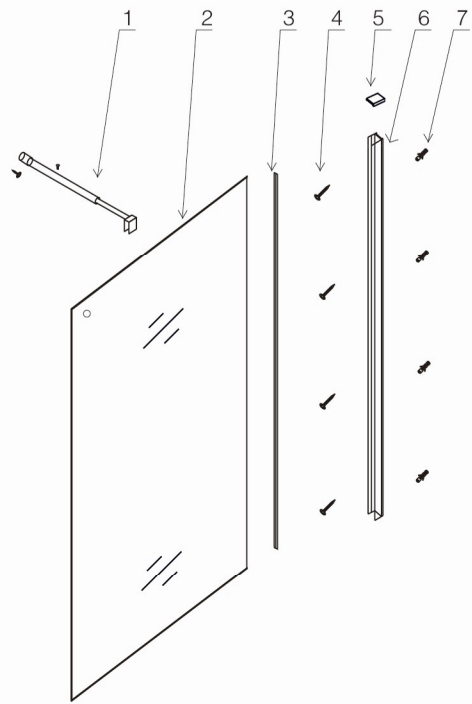


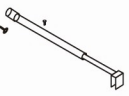






INSTALLATION GUIDE

SR-LA005

Shower Room





 <p>① x1</p>	 <p>② x1</p>	 <p>③ x1</p>	 <p>④ x4 ($\Phi 4 \times 35$)</p>	 <p>⑤ x1</p>
 <p>⑥ x1</p>	 <p>⑦ x4</p>			
