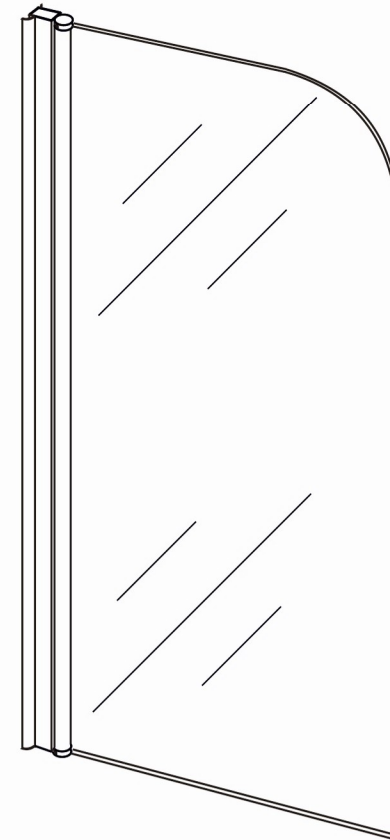
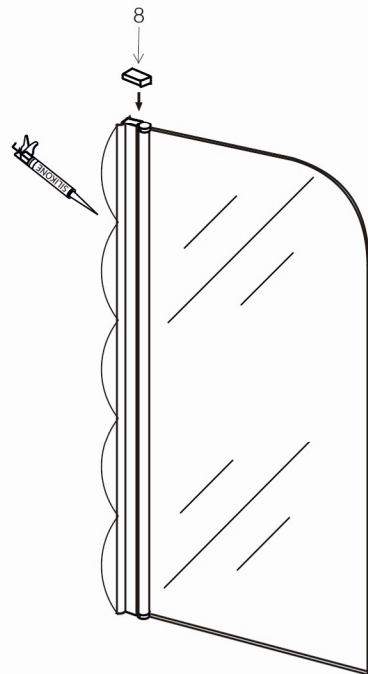
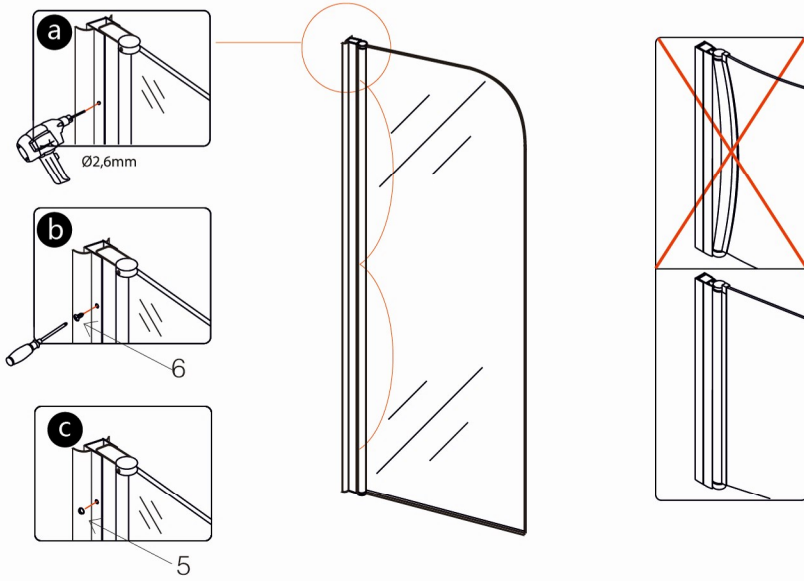
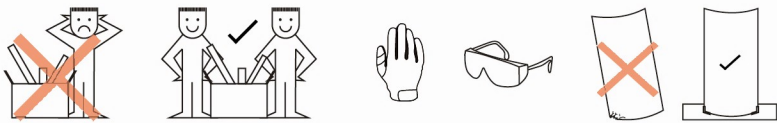
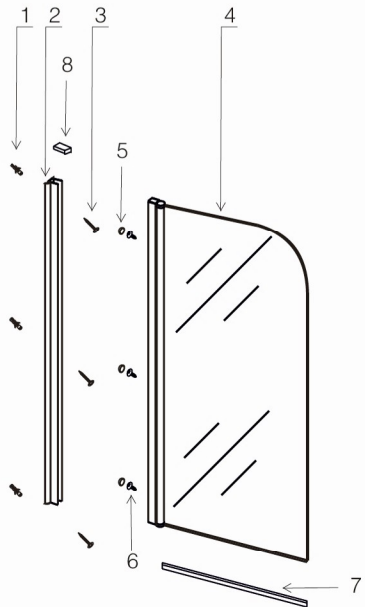



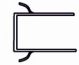

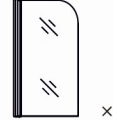


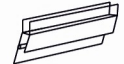

INSTALLATION GUIDE

SR-LA003

Shower Room





①  ×3	②  ×1	③  ×3 (Φ4×35)	④  ×1	⑤  ×3
⑥  ×3 (Φ4×12)	⑦  ×1	⑧  ×1		

