

Phosphate Dosing Pump



The Phosphate dosing pump is a metering pump, the pump capacity of which can be precisely adjusted in 0.2% increments, either manually or optionally with an electric actuator or control drive. The integrated controller allows the pump to adapt quickly and reliably to changing metering tasks.

1. Product Introduction

This Phosphate dosing pumps provide a pumping solution which lends itself to typically low flow, high pressure applications. Partners and customers continue to look at Dongkai Technologies' pumps first to provide them real life solutions for their real life solutions for their real life problems.

2. Product Parameter (Specification)

Product Details:

Main Specification

- ** The capacity up to 1000 LPH
- ** The maximum pressure up to 300 bar
- ** Measuring accuracy reaches to +/-1%
- ** Temperature of liquid can be more than 100 degree
- ** SS 304 SS316 material pump head to meet strong demand

3. Product Feature

Feature

Main Features

** Piston Metering Pump

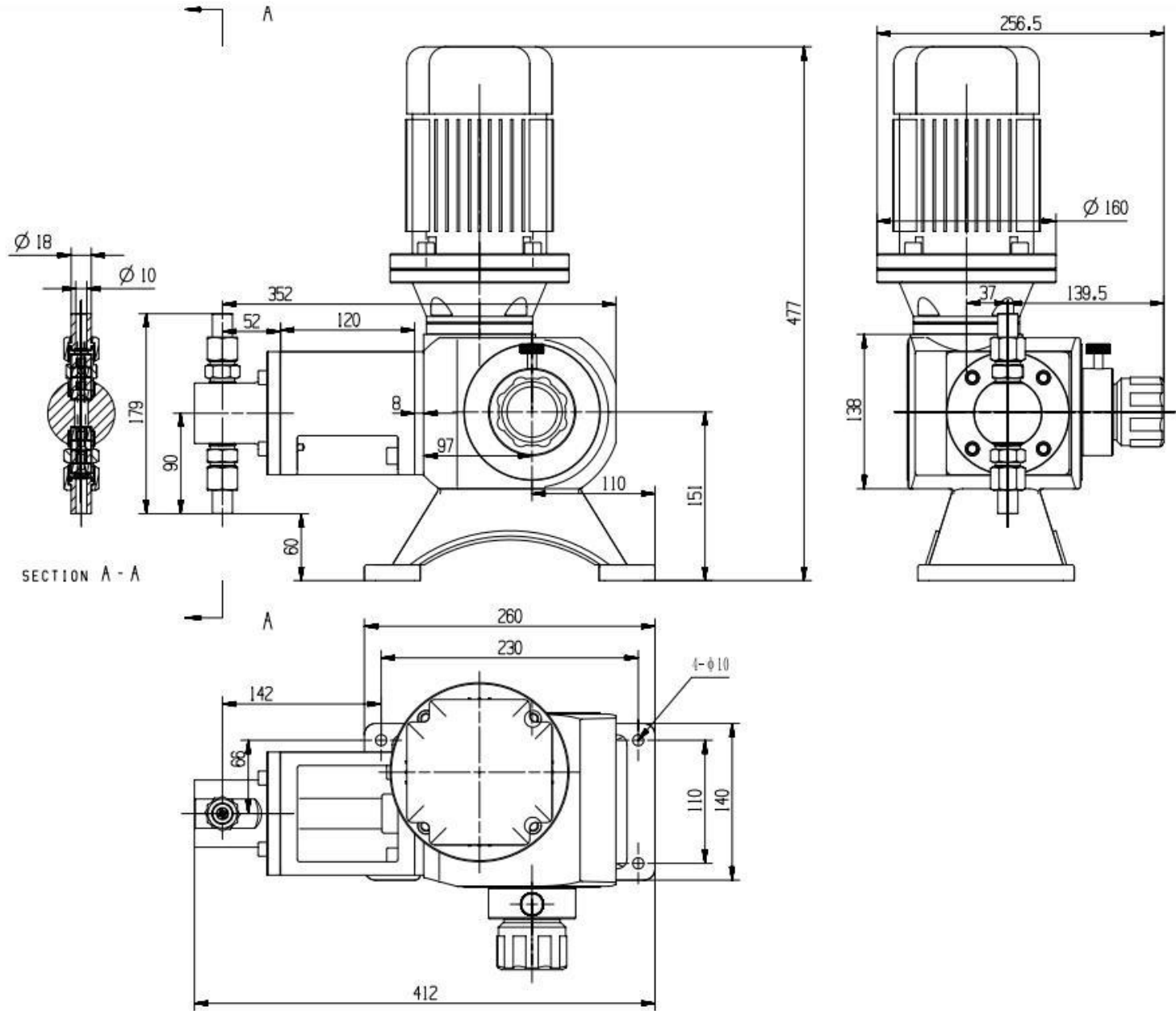
** The diameter of the piston can be very small, but can't be so large, normally 3-200mm can be acceptable

** Wide range discharge pressure, and can be maked as the high pressure pump

** No-leakage, use gasket as the seal

** No security leak equipment, safty valve is suggested in the discharge pipe

**Simple struction, easy maintainence, and competitive price6.Deliver,Shipping And Serving





4.FAQ



www.cndkby.com

Are you a trading company or a manufacturer?

We are manufacturer.

If OEM is acceptable?

We accept OEM.

Do you provide sample? Free or charge?

Samples require fees.