

LED Ceiling Light 3CCT



led down light round shape 7w 3CCT adjustable ceiling light, LED Ceiling Light 3CCT offer an energy saving alternative while providing excellent color rendering. We are expecting become your long-term partner in china.

1.LED Ceiling Light 3CCT Introduction

led down light round shape 7w 3CCT adjustable ceiling light, these lamps offer an energy saving alternative while providing excellent color rendering. We are expecting become your long-term partner in china.

2.LED Ceiling Light 3CCT Parameter (Specification)

Model number	LED down light 7w
Watt	5W/7W
Size	Φ126*50mm
Cut out hole	73-80mm
Lumin Efficiency	>90lm/w
LED Source	LED 2835 SMD
Input voltage	AC85-265V
PF	>0.5
CRI	>80
Working life	25000h
Material	Die-casting or plastic for option
Base	PVC power line
Color Temperature	2700K 4000K 6500K



www.760gj.com

Beam Angel	120°
Driver	Non-isolated IC driver
Warranty	2 years

3.LED Ceiling Light 3CCT Feature And Application

- High color rendering (83+ CRI)
- COB for crisper, cleaner shadows
- Energy saving 80% compared to Halogen spotlight
- 25,000 hours rated life
- Application friendly: UV Free & IR Free
- 2 Years Limited Warranty

Applications

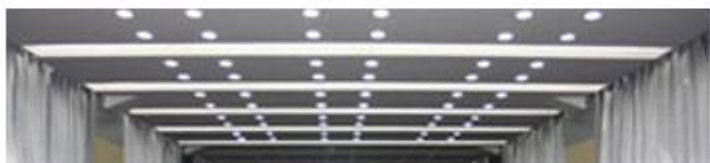
- Track Lighting
- Recessed Lighting
- Landscape Lighting
- Accent Lighting
- Art Gallery & Museum Lighting
- Hospitality Lighting



office



drawing room





www.760gj.com

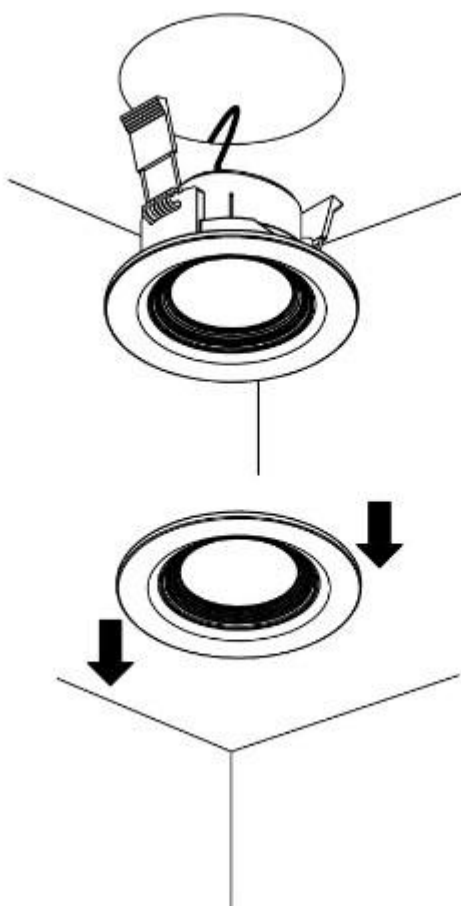
For details, pls. contact me and inform what you want, we can offer accordingly.

4.LED Ceiling Light 3CCT Details

LED ceiling light down light 3CCT color change 7w China supplier cheap price.

- Plastic housing with color back cover,
- built-in driver, clean and beautiful appearance
- powerful spring buckle to ensure stable installation
- easy to install and highlight
- adjustable direction
- SMD or COB chips, 90lm/w
- two shell shapes can be selected.



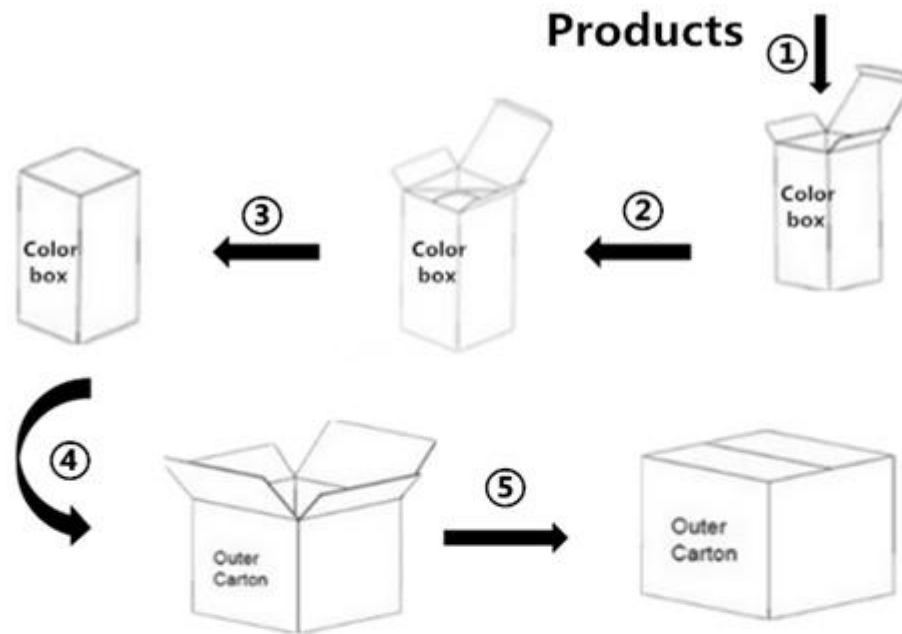


5.LED Ceiling Light 3CCT Qualification



6. Deliver, Shipping And Serving

OEM available, can according to the customers request, design different packing.



7.FAQ

Are you a trading company or a manufacturer?
We are industry and trade integration company.

When will you leave your factory and to have your spring festival holidays?
All of our holiday will be began basing on official holiday.

Will you attend the fair to show your products?
Yes, if conditions permit, we will attend the Lighting Show, etc.

If OEM is acceptable?
Yes, please inform us formally before our production and confirm the design firstly based on our samp

Do you provide sample? Free or charge?
Yes, we welcome sample order to test and check quality. Mixed samples are acceptable. We can provide samples for free, but express cost should be collected

Can I delivery the goods from other supplier to your factory? Then load together?
Yes, of Course.

What is your term of payment?
Our payment terms is 30% deposit and balance before shipment or 30days against B/L, or L/C.

What is your MOQ?
Low MOQ, 1000pcs for sample checking is available. Normally MOQ is 3000/5000pcs.

How long is your delivery time?
Sample needs 7-10 days, mass production time needs 4-5 weeks for order quantity more than

How many production lines in your factory?
There are 6 production lines and 2 automatic lines in our factory, more than one hundred workers.

How to proceed an order for led bulb?
1st, let us know your requirements or application.
2nd, We quote according to your requirements or our suggestions.
3rd, customer confirms the samples and places deposit for formal order.
4th, We arrange the production.

How do you ship the goods and how long does it take to arrive?



www.760gj.com

We usually ship by DHL, UPS, FedEx or TNT. It usually takes 5-7 days to arrive. Airline and sea shipping also optional.