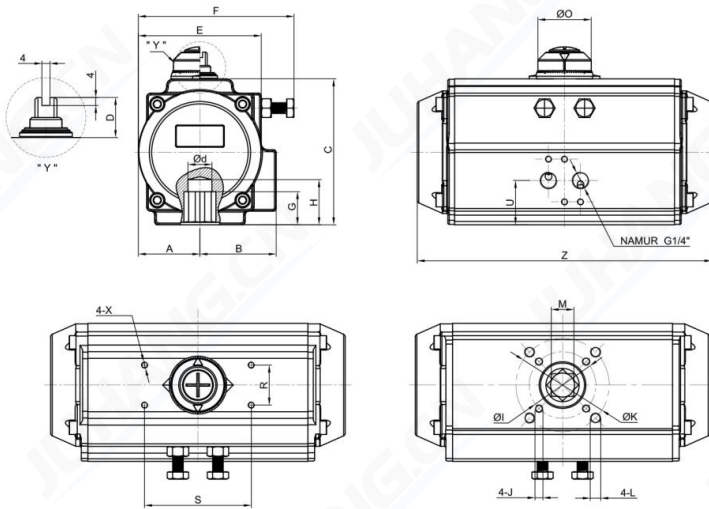


JHA0075SR 90° DATASHEET



Reference Parameters			
Cylinder size	83		mm
Weight	3.7		kg
Air volume	Open	0.42	L
	Close	-	
Cycle speed*①	Open	<1	s
	Close	<1	
Pressure rang	2 up to 8		bar(g)
Media	Clean,dry and non-corrosive compressed air		
Temperature	High	-15 up to 150	°C
	Standard	-20 up to 80	
	Low	-40 up to 80	
Flange	F05&F07		
Stroke	90±5		°

> According to EN 15714-3 & ISO 5211

>*①. Test conditions: clean air with a pressure of 6 bar,the diameter of the pipe is 8 mm,and the temperature is room temperature.

Dimensions in mm

Model	A	B	C	D	E	F	G	H	φI	J	φK	L	M	R	S	X	O	U	φd	Z	Air connection
JHA0075SR	46	57	109	20	92	117	24	33	50	M6*10	70	M8*13	17	30	80	M5*8	40	33	18	221	G1/4"

OUTPUT TORQUE (Unit:N.m)

Model	Air Supply Pressure in bar(g)																				
	Spring Type	2.5		3		4		4.5		5		5.5		6		7		8		Spring output	
		0°	90°	0°	90°	0°	90°	0°	90°	0°	90°	0°	90°	0°	90°	0°	90°	0°	90°	Start	End
JHA0075SR	K6	19.6	10.6	27.3	18.3	42.8	33.8	50.5	41.5	58.2	49.2									28.0	19.0
	K8			21.0	9.0	36.4	24.4	44.1	32.1	51.9	39.9	59.6	47.6	67.3	55.3	82.7	70.7			37.3	25.3
	K10					30.1	15.1	37.8	22.8	45.5	30.6	53.3	38.3	61.0	46.0	76.4	61.4	91.8	76.8	46.6	31.6
	K12									39.2	21.2	46.9	29.0	54.7	36.7	70.1	52.1	85.5	67.5	55.9	37.9

OUTPUT TORQUE (Unit:lbf.in)

Model	Air Supply Pressure in psi																				
	Spring Type	36		44		58		65		73		80		87		102		116		Spring output	
		0°	90°	0°	90°	0°	90°	0°	90°	0°	90°	0°	90°	0°	90°	0°	90°	0°	90°	Start	End
JHA0075SR	K6	173	94	242	162	379	299	447	367	515	435									248	168
	K8			186	80	322	216	390	284	459	353	528	421	596	489	732	626			330	224
	K10					266	134	335	202	403	271	472	339	540	407	676	543	812	680	412	280
	K12									347	188	415	257	484	325	620	461	757	597	495	335

Notes:

> 1 bar(g) = 14.5038 psi ; 1 N.m = 8.8507 lbf.in

> For further information regarding options , materials , certifications and additional execution please contact JUHANG's sales office.

> Flange and bi-square drive shall comply with ISO 5211 standard.

> Solenoid valve mounting interface according to VDI/VDE 3845(NAMUR)

