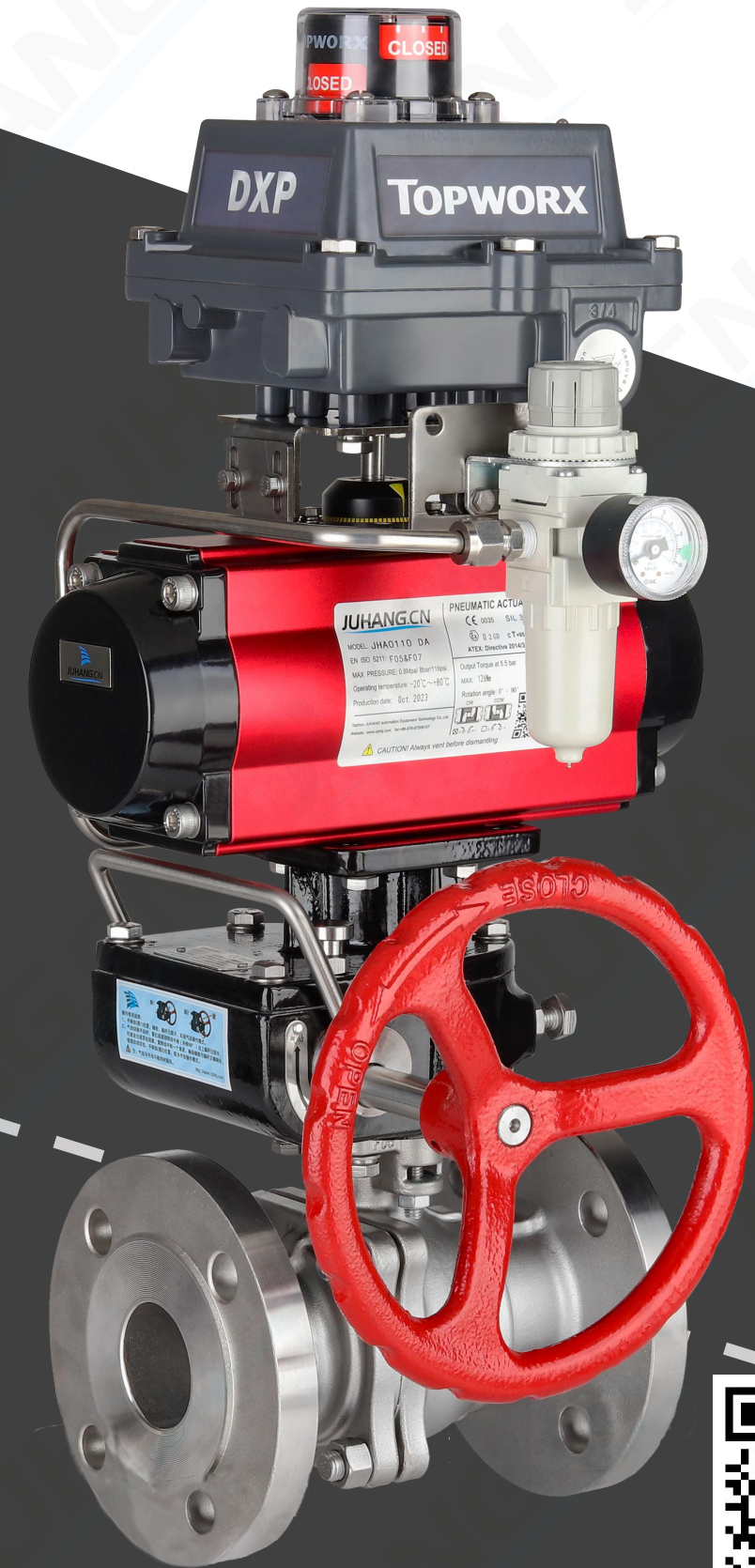
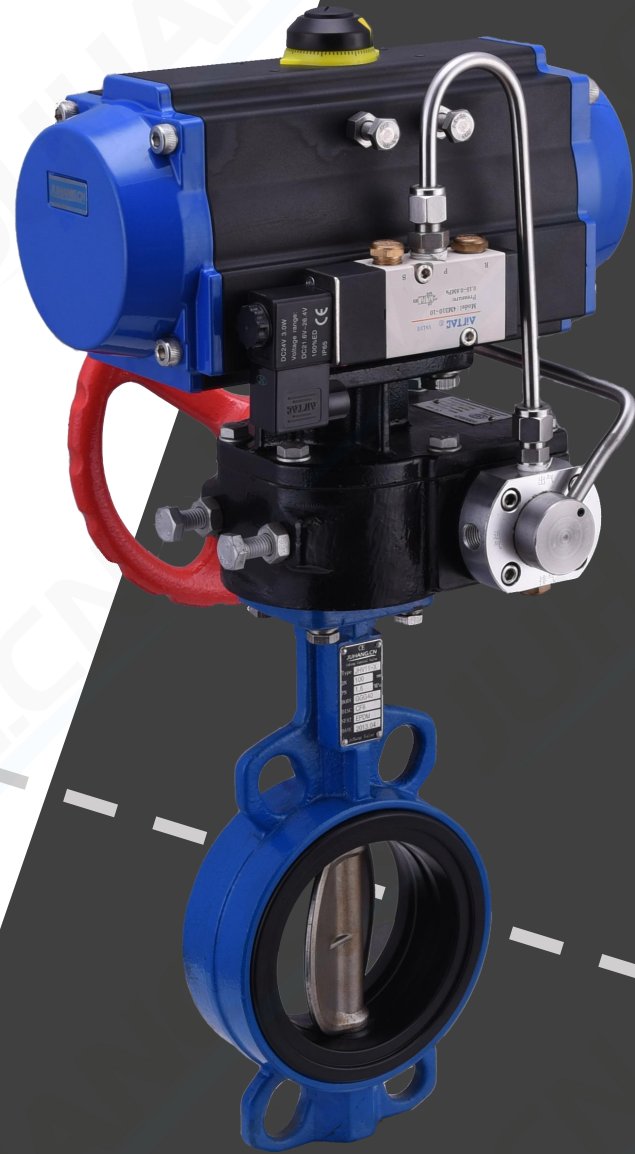


JUHANG.CN

CONTROL VALVE



Taizhou Juhang Automation Equipment Technology Co., Ltd

Puqing industrial areas, Damaiyu avenue, Yuhuan city,
Taizhou, Zhejiang province, China.

Tel: +86-576-87208157 Fax: +86-576-87208537

E-mail: juh@juh.com.cn

Website: www.tzjh.com Edition: 2024/09 Doc: QR/JS-07-07





CONTENTS

Company Profile	01
Centric butterfly valve	03
High Performance Double Eccentric Butterfly valve.....	05
Plastic Butterfly Valve.....	07
Flanged ball valve.....	09
Threaded&Welded Ball Valve	11
Three way Ball Valve	13
Plastic Ball Valve.....	15
Ceramic ball Valve.....	17

Taizhou Juhang Automation Equipment Technology Co., Ltd. is a comprehensive manufacturing enterprise specializing in the R&D, manufacturing, and sales of pneumatic valve actuators, manual valve actuators, and various complete set control valves.

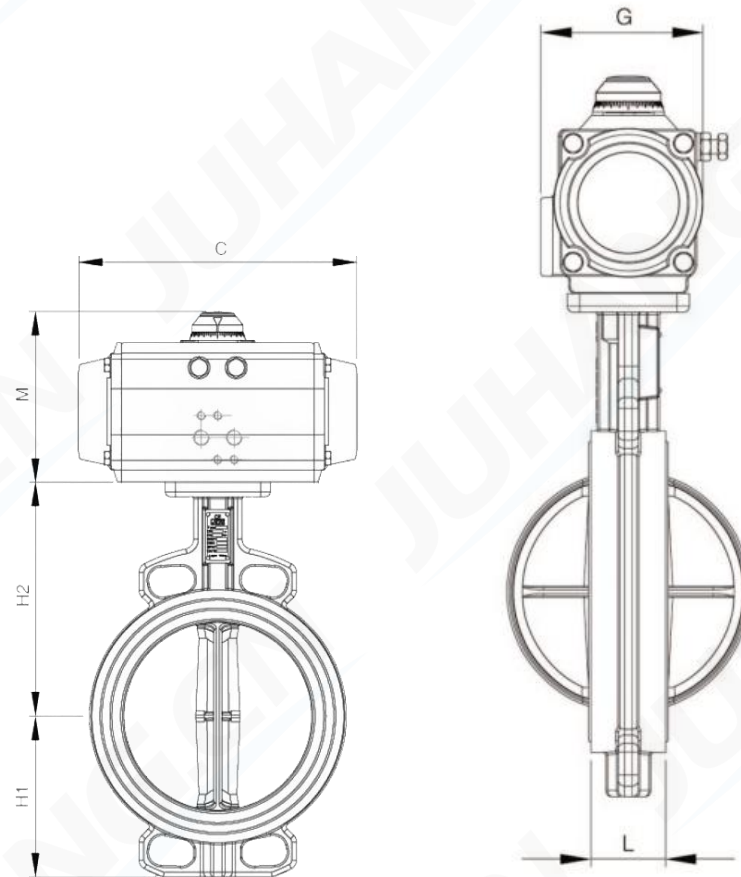
Professional casting quality, service create value. While providing customers with personalized services such as OEM and ODM, Juhang also adheres to the principle of product safety and reliability first and has won the favor of many internationally renowned companies.

With mutually beneficial friendly cooperation and the trust of customers, Juhang's products have been widely used in the Oil & gas industry, petrochemical industry, shipbuilding industry, electric power engineering, water treatment, and other industries, and have been exported to the United States, Germany, and other countries and regions.

Centric butterfly valve selection

VALVE								ACTUATOR			
Series	Connection	Body Material	Disc Material	Seat Material	Stem Material	Size	PN	Actuator Type	Action Mode	Failure Mode	Control Mode
JHCV7-	1 Wafer	1 HT	1 QT	1 NBR	1 SUS 410	C 40	1 PN10	M Manual	D Double Action	FC FC	OF On-Off
	2 Lug	2 QT	4 CF8	2 EPDM	4 SUS 304	2 50	2 PN16	P Pneumatic	S Single Action	FO FO	C Other
	3 Flange	3 WCB	6 CF8M	3 EPT	6 SUS 316	D 65	3 PN25	S Pneumatic&Manual	C Other	C Other	
		4 CF8	7 ALBC2	4 CR		3 80	C Other	H Handle			
		6 CF8M	C Other	5 Silicon		4 100		C Other			
				6 CSM						
				7 Viton		48 1200					

Manual control Type



Drive Mode	Manual(Gear Box),Pneumatic,Pneumatic&Manual
Size(DN)	1-1/2"~48"(40~1200)*
Flange requirement	PN10,PN16,PN25,etc.
Medium	Gas,Water,Oil
Applicable temp	NBR (-10℃ Up to 80℃),EPDM (-20℃ Up to 120℃),EPT (-20℃ Up to 140℃),CR (0℃ Up to 80℃),Silicon (-20℃ Up to 180℃),CSM (-20℃ Up to 180℃),Viton (-18℃ Up to 204℃)
Connection	GB/T 9124.1-2019,JB/T 79-2015,ASME B16.5-2020,DIN EN1092-1:2018

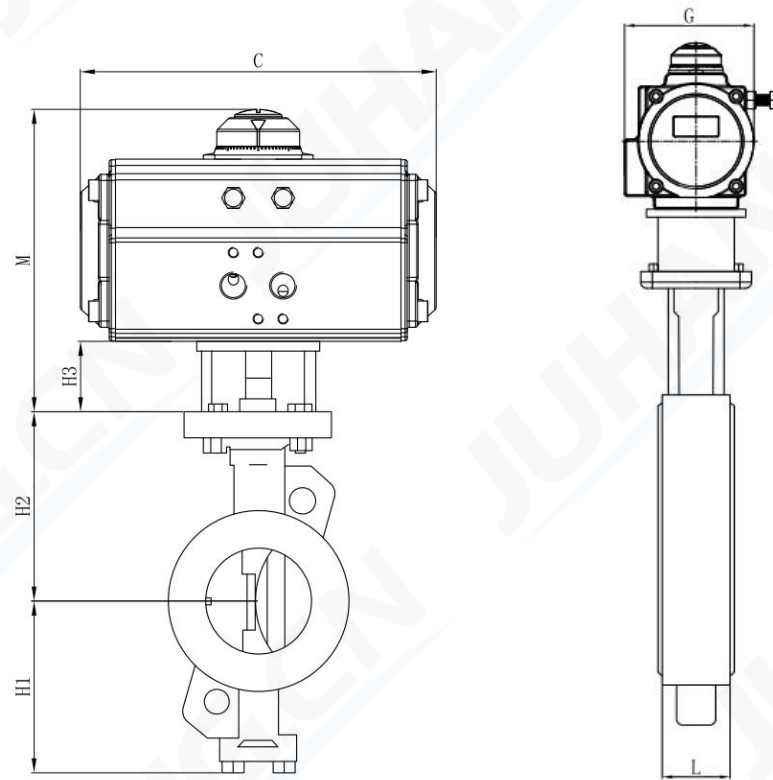
- REMARK: ① The drawings and dimensions data is for reference only, and the data set will change according to the actual needs of customers.
 ② M,C,G:Data may change according to actuator selection.
 ③ *: For valves that are not shown in the catalogue, please consult JUHANG.
 ④ Please contact JUHANG for unknown model code and Customized require.
 ⑤ If need the product details of pneumatic actuator and manual actuator, please refer to the corresponding product catalogue.
 ⑥ If find any error in the catalogue, please contact us that we can correct it as soon as possible.

Size	Inch	L	H1	H2	M	C	G	Size	Inch	L	H1	H2	M	C	G
DN40	1-1/2"	33	60	120	92	150	71.5	DN250	10"	68	201	286	203	392	152
DN50	2"	43	65	143	92	150	71.5	DN300	12"	78	234	309	228	460	174
DN65	2-1/2"	46	71	155	107	172	83	DN350	14"	78	301	329	261	525	206
DN80	3"	46	77	162	119.5	202	96	DN400	16"	102	333	361	286	532	226
DN100	4"	52	107	181	129	214	103	DN450	18"	114	358	393	319	602	260
DN125	5"	56	122	197	136	260	107	DN500	20"	127	392	427	319	602	260
DN150	6"	56	150	210	154	270	121	DN600	24"	154	454	492	356	722	294
DN200	8"	60	165	240	185	300	142	DN700	28"	185	508	563	378	762	324

High Performance Double Eccentric Butterfly Valve Selection

VALVE									ACTUATOR			
Series	Connection	Body Material	Disc Material	Seat Type	Seat Material	Stem Material	Size	Class	Actuator Type	Action Mode	Failure Mode	Control Mode
JHCV9-	1 Wafer	3 WCB	4 CF8	1 Soft	1 PTFE	4 SUS 304	2 50	1 150LB	M Manual	D Double Action	FC FC	OF On-Off
	2 Lug	4 CF8	6 CF8M	2 Metal+PTFE	2 PTFE+15% Glass Fiber	6 SUS 316	D 65	2 300LB	P Pneumatic	S Single Action	FO FO	C Other
	3 Flange	6 CF8M	7 CF3M	3 Metal	3 PTFE+15% Graphite	C Other	3 80	C Other	PM Pneumatic&Manual	C Other	C Other	
			C Other		4 TFM		4 100		H Handle			
					6 SUS316		5 125		C Other			
					C Other						
						48 1200						

Pneumatic control Type



Drive Mode	Manual(Gear Box),Pneumatic,Pneumatic&Manual
Size(DN)	2"~48"(50~1200)*
Flange requirement	ANSI 150LB,ANSI 300LB,etc.
Medium	Gas,Water,Oil
Applicable temp	PTFE (-29℃ Up to 160℃),PTFE+15% Glass Fiber (-29℃ Up to 180℃), PTFE+15% Graphite (-29℃ Up to 210℃),TFM (-100℃ Up to 260℃),Metal (-100℃ Up to 500℃)
Connection	GB/T 9124.1-2019,JB/T 79-2015,ASME B16.5-2020,DIN EN1092-1:2018

REMARK: ① The drawings and dimensions data is for reference only, and the data set will change according to the actual needs of customers.

② M,C,G:Data may change according to actuator selection.

③ * : For valves that are not shown in the catalogue, please consult JUHANG.

④ Please contact JUHANG for unknown model code and Customized require.

⑤ If need the product details of pneumatic actuator and manual actuator, please refer to the corresponding product catalogue.

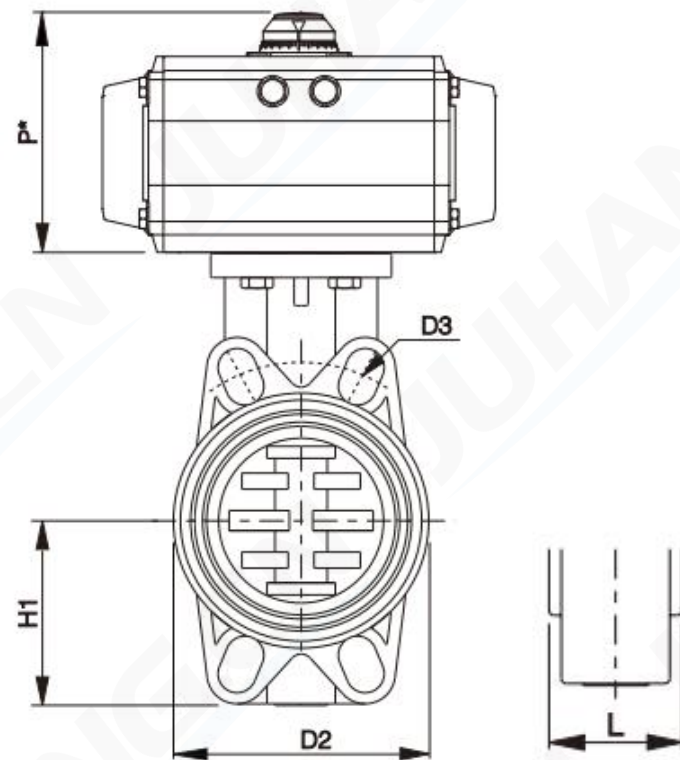
⑥ If find any error in the catalogue, please contact us that we can correct it as soon as possible.

Size	Inch	L	H1	H2	H3	M	C	G	Size	Inch	L	H1	H2	H3	M	C	G
DN50	2"	43	99	118	60	82	150	72	DN300	12"	78	269	290	100	228.5	475	175
DN65	2-1/2"	46	111	125	60	108	172	83	DN350	14"	92	306	326	100	261	544	207
DN80	3"	47	128	140	70	120	188	95.5	DN400	16"	102	342	370	120	286	562	227
DN100	4"	53	150	157	70	129	221	103	DN450	18"	114	370	395	120	322	642	261
DN125	5"	57	163	170	70	137	268	108.5	DN500	20"	127	397	430	120	361	740	295
DN150	6"	56	176	185	70	154.5	279	122	DN600	24"	154	455	490	150	382	740	295
DN200	8"	62	206	220	80	186.5	322	143	DN650	26"	165	494	503	150	438	774	335
DN250	10"	68	238	260	80	203.5	406	153	DN700	28"	165	514	559	150	494	912	385

Plastic Butterfly Valve Selection

VALVE								ACTUATOR				
Series	Structure	Body Material	Disc Material	Seat Material	Connection	Size	PN	Actuator Type		Action Mode	Failure Mode	Control Mode
JHCV12-	1 Centric	1 UPVC	1 UPVC	1 NBR	1 Wafer	2 50	1 PN10	M Manual	D Double Action	FC FC	OF On-Off	
		2 CPVC	2 CPVC	2 EPDM	C Other	D 65		P Pneumatic	S Single Action	FO FO	C Other	
		3 PP	3 PP	3 Viton B		3 80		PM Pneumatic&Manual	C Other	C Other		
		4 PVDF	4 PVDF	C Other		4 100		H Handle				
		C Other	C Other			5 125		C Other				
						6 150						
						8 200						

Pneumatic control Type



Drive Mode	Manual(Gear Box),Pneumatic,Pneumatic&Manual
Size(DN)	2"~8"(40~200)
Flange requirement	1.0Mpa
Medium	PVC Compatible Media
Applicable temp	UPVC (0°C Up to 60°C),PP (0°C Up to 80°C), CPVC (0°C Up to 90°C),PVDF (0°C Up to 120°C)
Connection	GB/T 9124.1-2019,ASME B16.5-2020

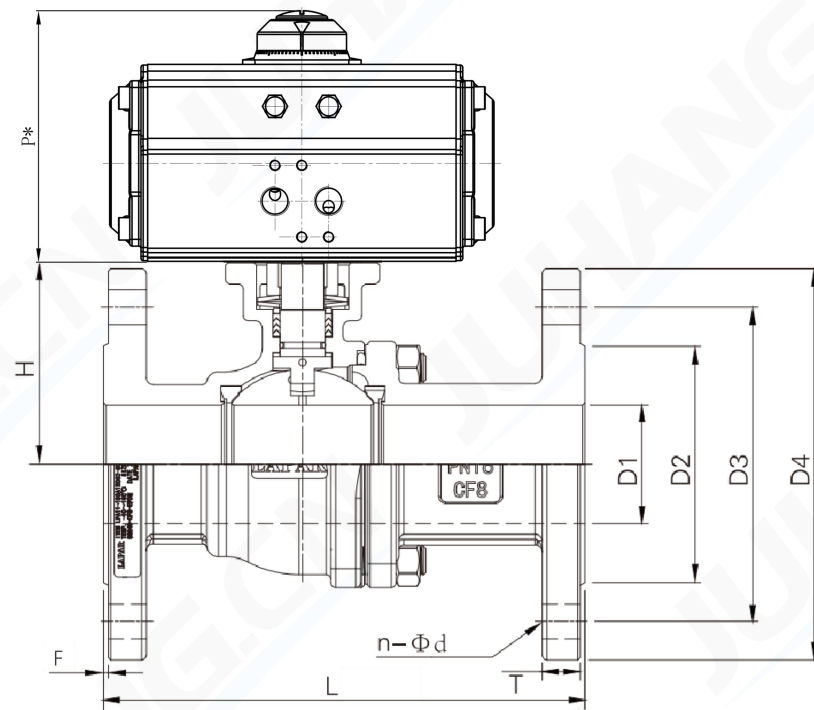
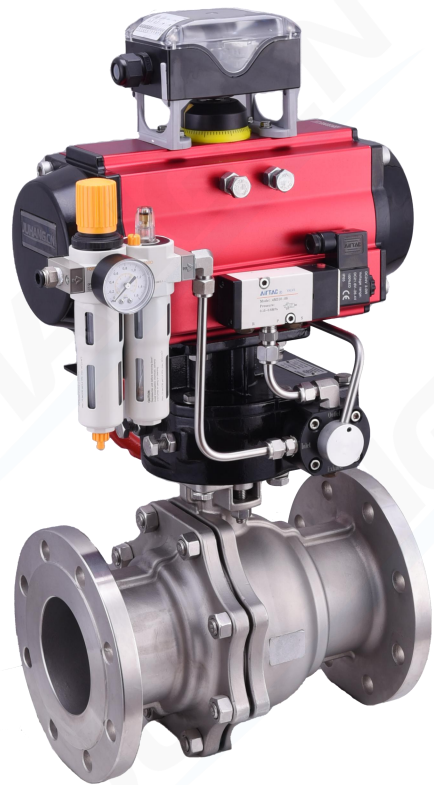
- REMARK: ① The drawings and dimensions data is for reference only, and the data set will change according to the actual needs of customers.
 ② P*:Please contact us to confirm the correct configuration.
 ③ Please contact JUHANG for unknown model code and Customized require.
 ④ If need the product details of pneumatic actuator and manual actuator, please refer to the corresponding product catalogue.
 ⑤ If find any error in the catalogue, please contact us that we can correct it as soon as possible.

Size	Inch	L	H1	D2	D3
DN50	2"	43	70	147	125
DN65	2-1/2"	46	80	165	145
DN80	3"	49	90	170	160
DN100	4"	56	105	180	180
DN125	5"	64	121	185	210
DN150	6"	70	132	210	240
DN200	8"	71	161	325	295

Flanged ball valve Selection

VALVE								ACTUATOR			
Series	Structure	Body Material	Ball Material	Seat Material	Connection	Size	PN	Actuator Type	Action Mode	Failure Mode	Control Mode
JHCV11-	1 One Piece	4 CF3M	4 CF3M	1 PTFE	1 Flange	2 50	1 PN10*	M Manual	D Double Action	FC FC	OF On-Off
	2 Two Piece	6 CF8M	6 CF8M	2 PTFE+Metal powder	C Other	D 65	2 PN16	P Pneumatic	S Single Action	FO FO	C Other
	3 Three Piece	3 WCB	3 WCB	C Other		3 80	C Other	PM Pneumatic&Manual	C Other	C Other	
		7 CF3	7 CF3			4 100		H Handle			
		C Other	C Other			5 125		C Other			
						6 150					
						8 200					

Pneumatic control ↔ Manual control (Pneumatic&Manual control type)



Drive Mode	Manual(Gear Box),Pneumatic,Pneumatic&Manual
Size(DN)	1/2"~8"(15~200)
Flange requirement	1.6~6.3Mpa,etc.
Medium	Gas,Water,Oil
Applicable temp	PTFE (-29℃ Up to 150℃),PTFE+Metal powder (-29℃ Up to 200℃)
Connection	GB/T 9124.1-2019,JB/T 79-2015,ASME B16.5-2020,DIN EN1092-1:2018

REMARK: ① The drawings and dimensions data is for reference only, and the data set will change according to the actual needs of customers.

② P*:Please contact us to confirm the correct configuration.

③ PN10*:Need to be customized.

④ Please contact JUHANG for unknown model code and Customized require.

⑤ If need the product details of pneumatic actuator and manual actuator, please refer to the corresponding product catalogue.

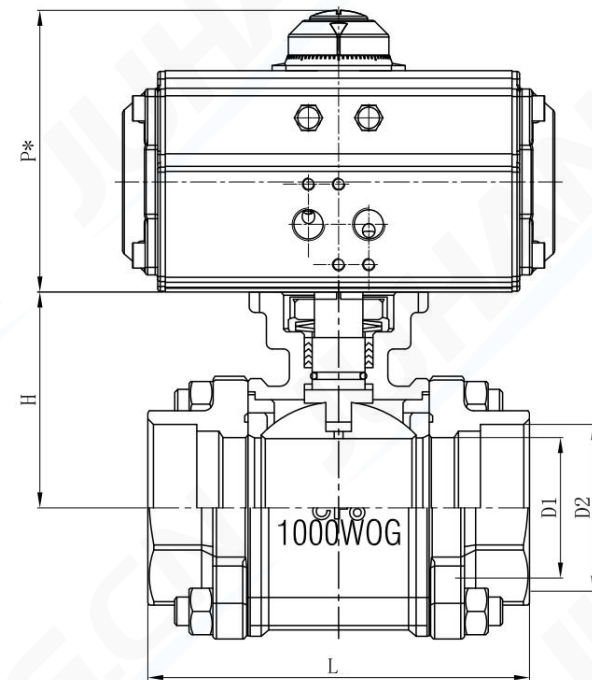
⑥ If find any error in the catalogue, please contact us that we can correct it as soon as possible.

Size	Inch	PN	L	D1	D2	D3	D4	T	F	n	φ d	H
DN50	2"	PN16	203	50	102	125	165	18	3	4	18	85
DN65	2-1/2"	PN16	222	65	122	145	185	18	3	8	18	101.5
DN80	3"	PN16	241	76	138	160	200	20	3	8	18	111.5
DN100	4"	PN16	305	100	158	180	220	20	3	8	18	140
DN125	5"	PN16	356	125	188	210	250	22	3	8	18	183
DN150	6"	PN16	394	150	212	240	285	22	3	8	22	204
DN200	8"	PN16	457	200	295	295	340	24	3	8/12	22	252.5

Threaded&Welded Ball Valve Selection

VALVE								ACTUATOR							
Series	Structure	Body Material	Ball Material	Seat Material	Connection	Size	Class	Actuator Type		Action Mode	Failure Mode	Control Mode			
JHCV12-	1 One Piece	4 CF3M	4 CF3M	1 PTFE	1 Thread	2 DN25	1 PN10*	M	Manual	D	Double Action	FC	FC	OF	On-Off
JHCV15-	2 Two Piece	6 CF8M	6 CF8M	2 PTFE+Metal powder	2 Butt Weld	D DN32	2 PN16	P	Pneumatic	S	Single Action	FO	FO	C	Other
	3 Three Piece	3 WCB	3 WCB	C Other	3 Socket Weld	3 DN40	C Other	PM	Pneumatic&Manual	C	Other	C	Other		
		7 CF3	7 CF3		C Other	4 DN50		H	Handle						
		C Other	C Other			5 DN65		C	Other						
						6 DN80									
						8 DN100									

Pneumatic control Type



Drive Mode	Manual(Gear Box),Pneumatic,Pneumatic&Manual
Size(DN)	1/2"~4"(15~100)*
Flange requirement	1.6~6.3Mpa
Medium	Gas,Water,Oil
Applicable temp	PTFE (-29℃ Up to 150℃),PTFE+Metal powder (-29℃ Up to 200℃)
Connection	ASME B1.20.1,BS21:DN 2999/259

REMARK: ① The drawings and dimensions data is for reference only, and the data set will change according to the actual needs of customers.

② P*:Please contact us to confirm the correct configuration.

③ PN10*:Need to be customized.

④ * : For valves that are not shown in the catalogue, please consult JUHANG.

⑤ JHCV12:Thread ball valve

⑥ JHCV15: Weld ball valve

⑦ Please contact JUHANG for unknown model code and Customized require.

⑧ If need the product details of pneumatic actuator and manual actuator, please refer to the corresponding product catalogue.

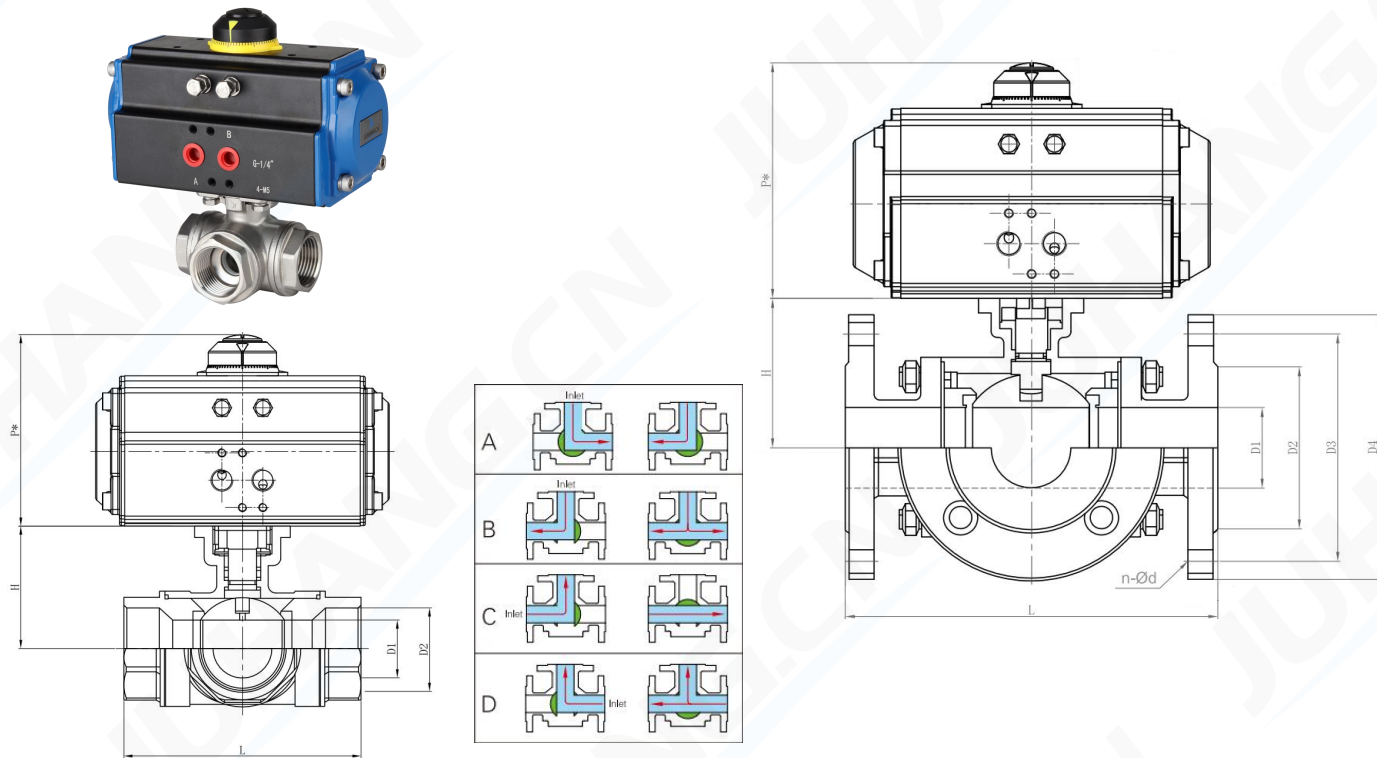
⑨ If find any error in the catalogue, please contact us that we can correct it as soon as possible.

Size	Inch	JHV12				JHV15 Butt Weld		
		L	D1	D2	H	L	D1	H
DN25	1"	89	25	BSP/NPT	58.5	91	26	58.5
DN32	1-1/4"	107.5	32	BSP/NPT	71	107.5	32	71
DN40	1-1/2"	117.5	38	BSP/NPT	76	123.5	40	76
DN50	2"	138	49	BSP/NPT	83.5	142	51	83.5
DN65	2-1/2"	177	65	BSP/NPT	107	187.5	65	107
DN80	3"	204	78	BSP/NPT	118	218	80	118
DN100	4"	243	98	BSP/NPT	138	266	100	138

Three Way Ball Valve Selection

VALVE									ACTUATOR			
Valve	Structure	Type	Body Material	Ball Material	Seat Material	Connection	Size	Class	Actuator Type	Action Mode	Failure Mode	Control Mode
JHCV13*-	A A Flow Direction	L L	4 CF3M	4 CF3M	1 PTFE	1 Flange	Y 15	0 PN10*	M Manual	D Double Action	FC FC	OF On-Off
JHCV14*-	B B Flow Direction	T T	6 CF8M	6 CF8M	2 PTFE+Metal power	2 Thread	0 20	1 PN16*	P Pneumatic	S Single Action	FO FO	C Other
	C C Flow Direction		3 WCB	3 WCB	C Other	C Other	1 25	2 PN25	PM Pneumatic&Manual	C Other	C Other	
	D D Flow Direction		7 CF3	7 CF3			A 32	3 PN40	H Handle			
			C Other	C Other			B 40	4 Other	C Other			
							2 50					

Pneumatic control Type



Drive Mode	Manual(Gear Box),Pneumatic,Pneumatic&Manual
Size(DN)	1/2"-2"(15-50)
Flange requirement	1.6~6.3Mpa
Medium	Gas,Water,Oil
Applicable temp	PTFE(-29℃ Up to 150℃),PTFE+Metal powder (-29℃ Up to 200℃)
Connection	GB/T 9124.1-2019,JB/T 79-2015,ASME B16.5-2020,DIN EN1092-1:2018,ASME B1.20.1,BS21:DN 2999/259

REMARK: ① The drawings and dimensions data is for reference only, and the data set will change according to the actual needs of customers.

② Please contact JUHANG for unknown model code and Customized require.

③ P*:Contact us to confirm the correct configuration.

④ PN10*:Need to be customized.

⑤ JHCV13*: Flange connection type.

⑥ JHCV14*: Thread connection type.

⑦ If need the product details of pneumatic actuator and manual actuator, please refer to the corresponding product catalogue.

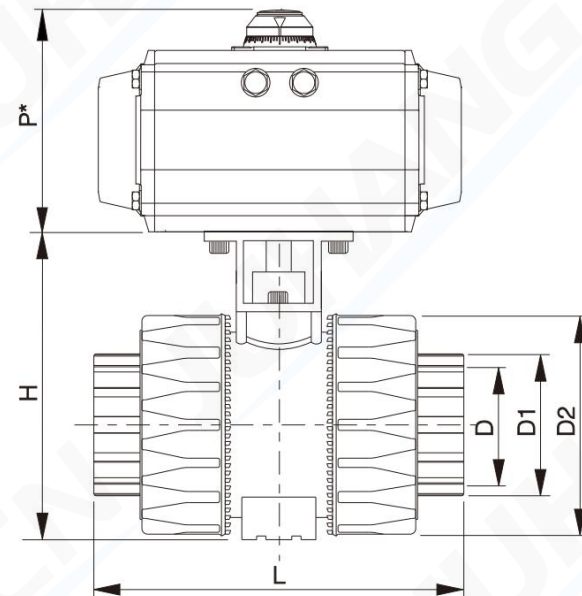
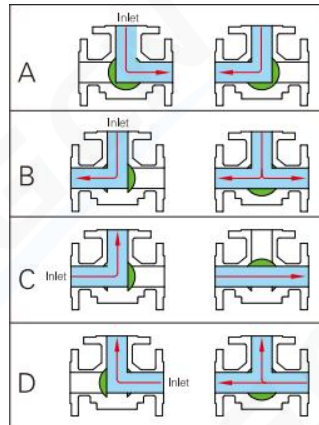
⑧ If find any error in the catalogue, please contact us that we can correct it as soon as possible.

Size	Inch	JHCV13*			JHCV14*							
		L	D1	D2	L	D1	D2	D3	n	φ d	D4	H
DN15	1/2"	79	11	BSP/NPT	150	15	46	65	4	14	95	58
DN20	3/4"	88	15	BSP/NPT	160	20	56	75	4	14	105	61
DN25	1"	101	20	BSP/NPT	180	25	65	85	4	14	115	72
DN32	1-1/4"	112.5	25	BSP/NPT	200	32	76	100	4	18	140	81
DN40	1-1/2"	137	32	BSP/NPT	220	40	84	110	4	18	150	103
DN50	2"	153	40	BSP/NPT	240	50	99	125	4	18	165	113

Plastic Ball Valve Selection

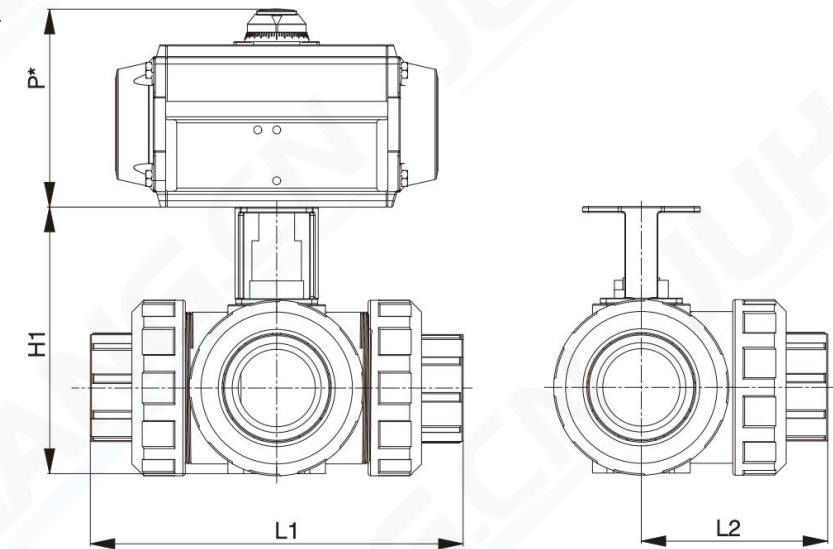
VALVE									ACTUATOR			
Valve	Structure	Type	Body	Ball	Seat	Connection	Size	PN	Actuator Type	Action	Failure Mode	Control
JHCV16*-	1 One Piece	L L	1 UPVC	1 UPVC	1 PTFE	1 Flange	Y 15	1 PN10	M Manual	D Double Action	FC FC	OF On-Off
JHCV17*-	A A Flow Direction	T T	2 CPVC	2 CPVC	2 Other	2 Thread	0 20		P Pneumatic	S Single Action	FO FO	C Other
	B B Flow Direction	C Other	3 PP	3 PP	C	3 Union	1 25		PM Pneumatic&Manual	C Other	C Other	
	C C Flow Direction		4 PVDF	4 PVDF		C Other	A 32		H Handle			
	D D Flow Direction		C Other	C Other			B 40		C Other			
							2 50					

Pneumatic control Type



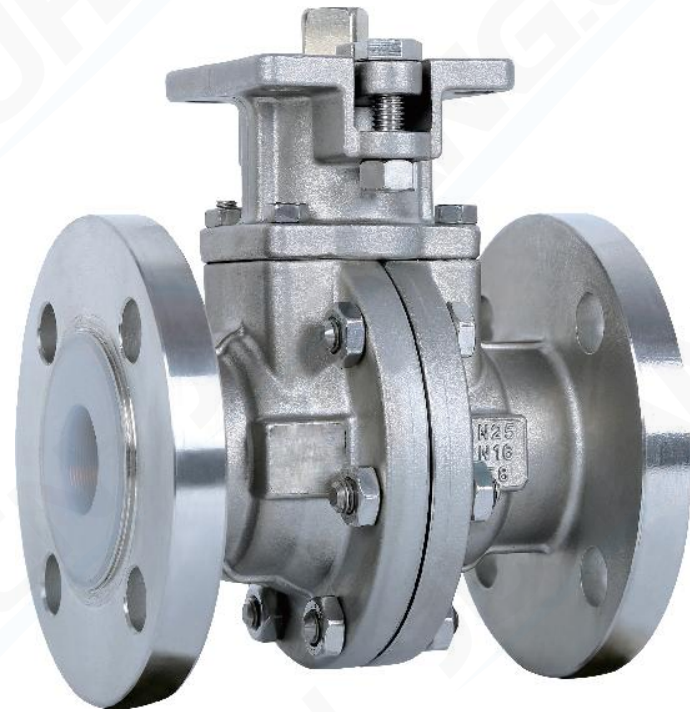
Drive Mode	Manual(Gear Box),Pneumatic,Pneumatic&Manual
Size(DN)	1/2"-2"(15-50)
Flange requirement	1.0Mpa
Medium	Gas,Water,Oil
Applicable temp	UPVC(0°C ~ 60°C),PP(0°C ~ 80°C),CPVC(0°C ~ 90°C),PVDF(0°C ~ 120°C)
Connection	GB/T 9124.1-2019,JB/T 79-2015,ASME B16.5-2020

- REMARK: ① The drawings and dimensions data is for reference only, and the data set will change according to the actual needs of customers.
 ② If need the product details of pneumatic actuator and manual actuator, please refer to the corresponding product catalogue.
 ③ If find any error in the catalogue, please contact us that we can correct it as soon as possible.
 ④ Please contact JUHANG for unknown model code and Customized require.
 ⑤ P*:Contact us to confirm the correct configuration.
 ⑥ JHCV17*:Two way ball valve
 ⑦ JHCV18*:Three way ball valve



Size	Inch	Two-way					Three-way		
		L	D	D1	D2	H	L1	L2	H1
DN15	1/2"	112	20.1	31	45	72	138.5	69	104
DN20	3/4"	132	25.1	37	55	88	166	83	124
DN25	1"	144	32.1	44	66	105	152	76	124
DN32	1-1/4"	167	40.1	54	82	131	224	112	160
DN40	1-1/2"	172	50.1	65	98	156	234	117	160
DN50	2"	206	63.1	79	120	192	270	135	176

JHV17 INNER F-LINED CERAMIC BALL VALVE



Drive Mode	Manual(Gear Box),Pneumatic,Pneumatic
Structural form	Floating Ball
Size(DN)	1/2"-8"(15-200)
Flange requirement	PN10~PN16/ANSI 150Lb
Medium	Gas,Water,Oil
Applicable temp	-40℃~150℃
Connection	GB/T 9124.1-2019,JB/T 79-2015,ASME B16.5-2020

REMARK:PTFE (Teflon) is one of the most corrosion-resistant materials, but over time,it tends to age and lose its sealing effectiveness,leading to multiole valve issues.By replacing the PTFE-lined ball core with structural ceramic,the it suitable for highly corrosive,low-temperature,and low-pressure conditions without particulate media.

JHV18 HIGH TEMPERATURE CERAMIC BALL VALVE



Drive Mode	Manual(Gear Box),Pneumatic,Pneumatic
Structural form	Floating Ball or Fixed Ball
Size(DN)	1"-10"(25-250)
Flange requirement	PN10~PN50/150Lb~300Lb
Medium	Gas,Water,Oil
Applicable temp	-40℃~456℃
Connection	GB/T 9124.1-2019,JB/T 79-2015,ASME B16.5-2020

REMARK:When operating conditions require ceramic ball valves beyond the standard range for high temperatures and severe thermal shock,JHV18 series valves are suitable. They are designed for applications involving highly corrosive media with high temperatures and significant thermal shocks.