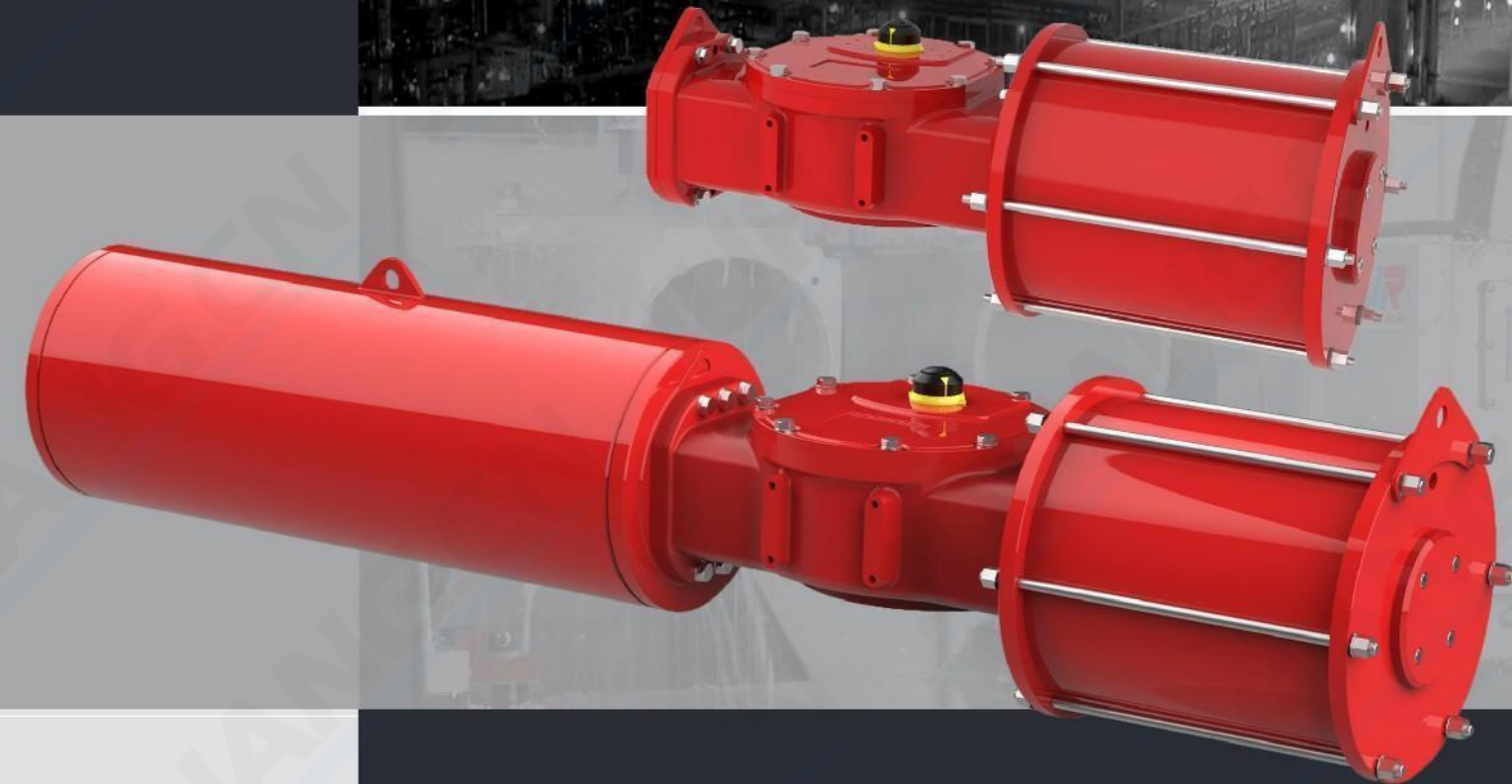


SCOTCH YOKE PNEUMATIC ACTUATOR

PROFESSIONAL CAST QUALITY TECHNOLOGY CREATES FUTURE



Taizhou Juhang Automation Equipment Technology Co., Ltd

Puqing industrial areas, Damaiyu avenue, Yuhuan city,
Taizhou City, Zhejiang province, China.

Tel:+86-576-87208157 Fax:+86-576-87208537

E-mail:juhang@juhangkj.com.cn Website:www.tzjhkj.com

Edition: 2024/11 Doc No.QR/JS-07-03

JHD SERIES SCOTCH YOKE PNEUMATIC ACTUATOR



JHD SERIES ROTARY PNEUMATIC ACTUATORS



PRODUCT PROFILE

1.Product Introduction

JHD series scotch yoke pneumatic actuator has the advantages of high output torque,flexible and smooth action,long service life,and easy maintenance and repair.This series is suitable for 90°rotation valves (such as ball valves,butterfly valves,plug valves) for on/off or metering control,and can be combined with various accessories to achieve automatic control of industrial processes. The principle is that compressed air enters the cylinder and pushes the piston in a linear motion.The piston is converted into a rotary yoke movement by means of a pin and yoke slide mechanism,which drives the output shaft to achieve control of the valve.

2.Product Parameter

- (1) Working medium: Clean,dry and non-corrosive compressed air
- (2) Air supply pressure: 0.35Mpa - 0.7Mpa
- (3) Operating temperature: Standard: -20°C up to +80°C
Low Temperature: -40°C up to +80°C
High Temperature: -15°C up to +150°C

CONTENTS

Enterprise Profile	01
Ordering Code	04
Product Features	05
Module Option	07
Main Parts and Materials.....	09
Selection of Scotch Yoke Pneumatic Actuators	11
Output Torque (N.m)	13
Output Torque (lbf.in)	18
Dimensions for JHD Actuators	23





PRODUCT INSPECTION

Each product is rigorously tested and the qualified inspectors are highly responsible for each component, which together, with the most advanced testing equipment and strict scientific management, means that each finished product can stand up to the careful selection of customers. The people of JUHANG solemnly promise to make every product meet the factory standards. This is the secret to the success of our products.



ENTERPRISE PROFILE

Taizhou Juhang Automation Equipment Technology Co., Ltd is an enterprise with a solid technical background specializing in the R&D, manufacturing and sales of pneumatic Rack and Pinion actuators, declutchable manual override, gear operators and Scotch-Yoke pneumatic actuator for industrial valves requiring a rotary quarter-turn movement such as ball valves, butterfly valves, plug valves and dampers.

The company has high-precision CNC machining equipment, sophisticated testing equipment and has set up an advanced product performance inspection and test center. Relying on a complete quality management system and internal orderly management the quality of JUHANG Actuators is highly ensured. The company strictly

follows the ISO9001:2015 management system, ISO5211, NAMUR and EN-57141 international standards and specifications and has obtained CE certification, ATEX certification, SIL3 certification issued by TÜV Rheinland, Bureau veritas, Lloyd's and other renowned certification bodies.

Under the guidance of "Innovation is the gate of the future", the company insists on independent innovation and is honored to announce that a number of advanced technologies have been awarded national patents. Excellent product quality, professional technical team, and timely service enable us to reach friendly and happy cooperation with many companies all over the world.

Professional cast quality, and service creates values. We sincerely look forward to your patronage and provide you with our amazing products and fabulous service.





JHD Series Scotch Yoke Pneumatic Actuator

Flange Standard: ISO5211 (International Standard)



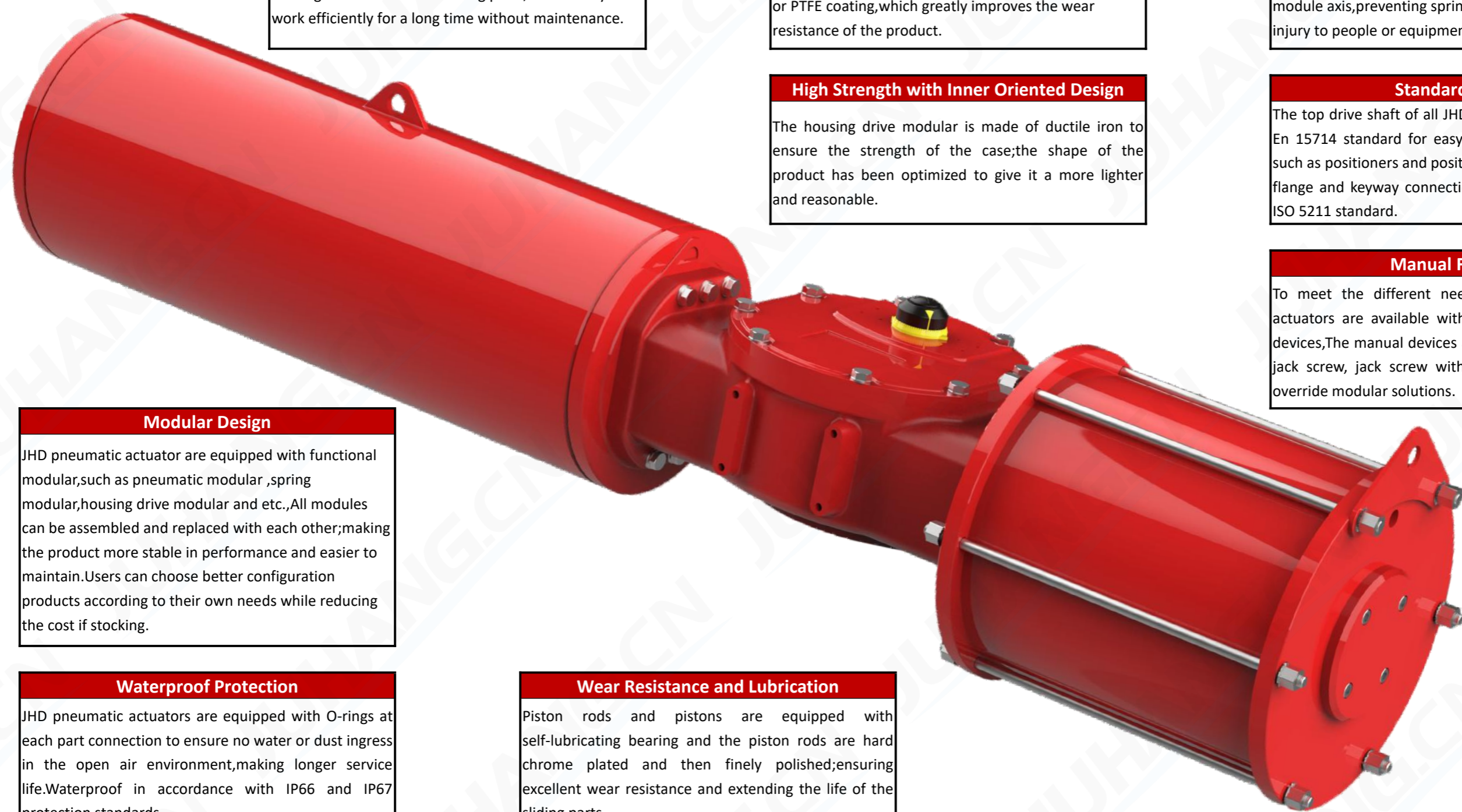
ORDERING CODE



JHD	2E04	10	Y	DA	L	C	D
Series JHD: Scotch Yoke	Center Body 2E04 2E05 2E06 2E07 2E08 2E09 2E12	Cylinder Size 10"-250 12"-300 14"-350 16"-400 18"-450 20"-500 22"-550 24"-600 28"-700 32"-800 36"-900 40"-1000	Pneumatic Cylinder Quantity Y: Single T: Double	Mode of Action DA: Double Acting S4-S6: Spring return	Temperature L: Low Temperature -40°C~80°C N: Standard -20°C~80°C Temperature H: High Temperature -15°C~150°C	Fail Position C: Fail Closed O: Fail Open	Additional Device D: Jack Screw U: Jack Screw Gear Drive H: Hydraulic Override N: NO



PRODUCT FEATURES



Maintenance-free Operation

The piston rods inside the product have an excellent surface treatment and are equipped with self-lubricating bearing and wear-resistant lubricating bearings attached to the moving parts,so that they can work efficiently for a long time without maintenance.

Corrosion Resistance

The surface of JHD series pneumatic actuator adopts electrostatic spraying to meet the requirements of petrochemical and chemical industry,etc;the inner surface of the air cylinder is plated with nickel,chrome or PTFE coating,which greatly improves the wear resistance of the product.

Safety

The JHD series spring modular are preloaded with the spring in the module,eliminating the accidental release of spring force.The spring module can only be moved out of the drive module in one piece along the cylinder module axis,preventing spring forces from causing injury to people or equipment.

High Strength with Inner Oriented Design

The housing drive modular is made of ductile iron to ensure the strength of the case;the shape of the product has been optimized to give it a more lighter and reasonable.

Standardization

The top drive shaft of all JHD products conforms to the En 15714 standard for easy installation of accessories such as positioners and position switches.Drive modular flange and keyway connection dimensions meet the ISO 5211 standard.

Manual Function

To meet the different needs of our customers,JHD actuators are available with a wide range of manual devices,The manual devices are available in the form of jack screw, jack screw with gear drive and hydraulic override modular solutions.

Modular Design

JHD pneumatic actuator are equipped with functional modular,such as pneumatic modular ,spring modular,housing drive modular and etc.,All modules can be assembled and replaced with each other;making the product more stable in performance and easier to maintain.Users can choose better configuration products according to their own needs while reducing the cost if stocking.

Waterproof Protection

JHD pneumatic actuators are equipped with O-rings at each part connection to ensure no water or dust ingress in the open air environment,making longer service life.Waterproof in accordance with IP66 and IP67 protection standards.

Wear Resistance and Lubrication

Piston rods and pistons are equipped with self-lubricating bearing and the piston rods are hard chrome plated and then finely polished;ensuring excellent wear resistance and extending the life of the sliding parts.



Module Option



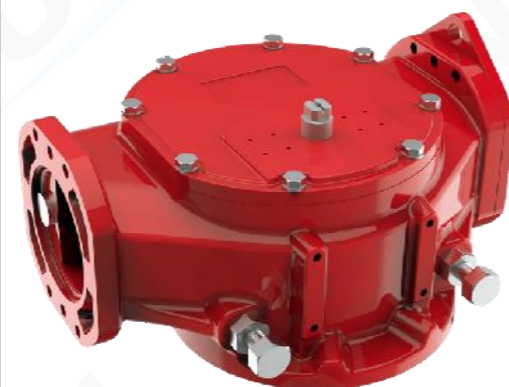
Pneumatic Module



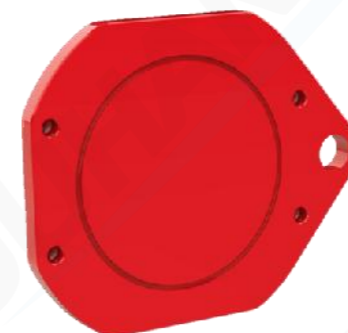
Hydraulic Module



Spring Module



Centre Body Module



Blind End Cap



Cylinder Module



Hydraulic Module



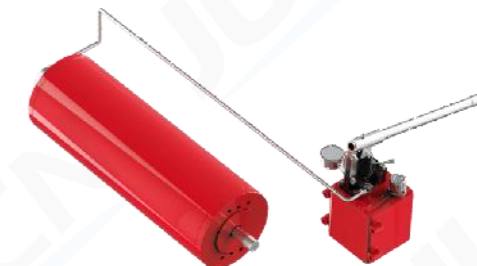
Spring Module



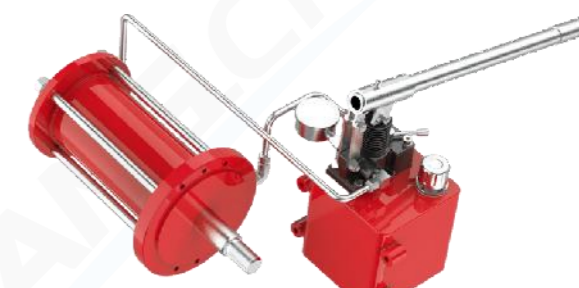
Spring Module + Jack Screw



Spring Module + Jack Screw Gear Drive



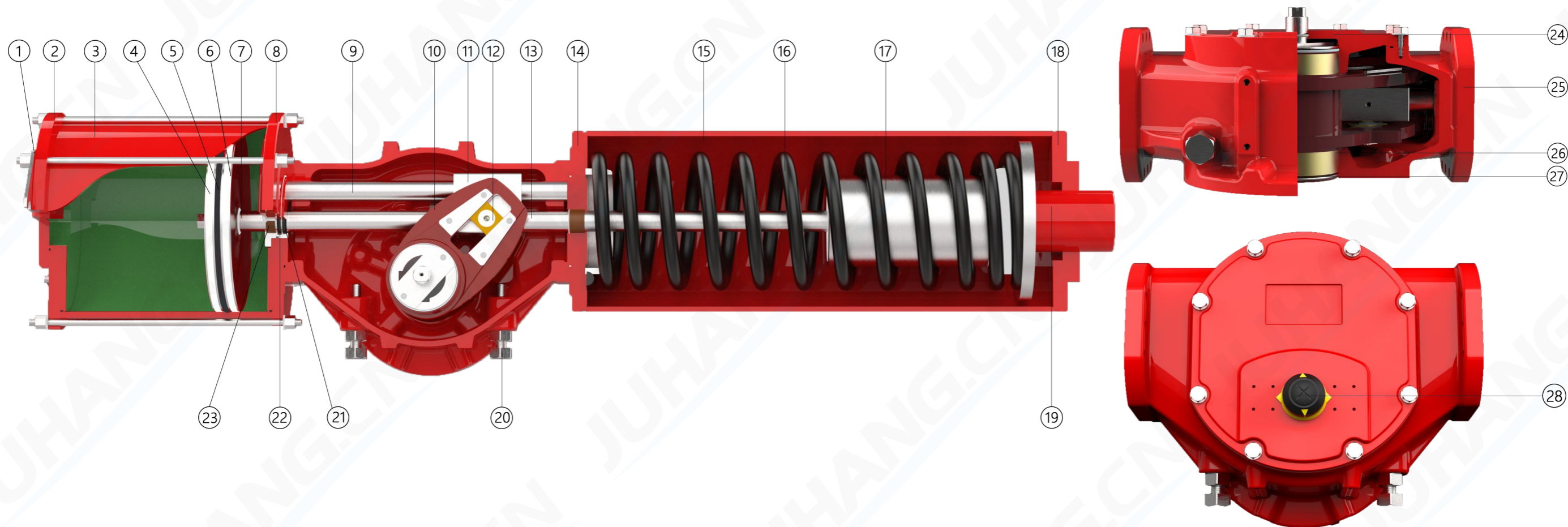
Spring Module + Hydraulic Module



Hydraulic Module



MAIN PARTS AND MATERIALS



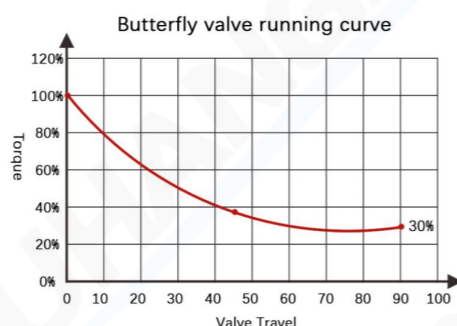
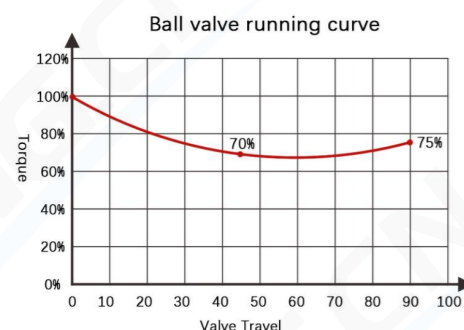
Main parts and materials					
No.	Name	Material	No.	Name	Material
1	Cover Plate	Carbon Steel	8	End Cap	Carbon Steel
2	End Cap	Carbon Steel	9	Guide Rod	Carbon Steel
3	Pneumatic Cylinder	Carbon Steel	10	Yoke	Ductile Iron
4	Guide Ring	PTFE	11	Guide Block	Carbon Steel
5	O-Ring	NBR	12	Slider Block	Bronze
6	Piston	Carbon Steel	13	Spring Rod	Carbon Steel
7	Piston Rod	Carbon Steel	14	End Cap	Carbon Steel

Main parts and materials					
No.	Name	Material	No.	Name	Material
15	Spring Cylinder	Carbon Steel	22	O-Ring	NBR
16	Spring	Spring Steel	23	Sliding Bearing	PTFE
17	Spring Seat	Carbon Steel	24	Top Cover	Ductile Iron
18	End Cap	Carbon Steel	25	Centre Body	Ductile Iron
19	Hydraulic Cylinder	Carbon Steel	26	Yoke Bearing	Copper Alloy
20	Adjustment Screw	Steel	27	O-Ring	NBR
21	O-Ring	NBR	28	Indicator	Engineering Plastic



SELECTION OF SCOTCH YOKE PNEUMATIC ACTUATORS

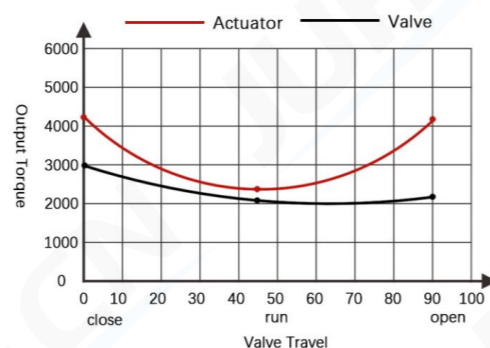
As shown below, the valve torque will change as the rotation angle changes at the same time. Although the torque properties of for example ball and butterfly valves are very different, the torque at 0° (open and closed) of both valve designs is usually the maximum torque required to operate. So, if we than can understand the torque changes during the operation of the specific valve, we can match the correct actuator selection in a reasonable and economical way.



Selection of double acting actuators

Under the condition of normal operation, the recommended confidence coefficient of double acting actuator is 30%.

E.g.: Required torque of valve 0°=3000N.m
 Actuator torque≥3000x1.3=3900N.m
 Air supply pressure=0.4Mpa
 Refer to the Torque table,under the pressure of 0.4Mpa,the double Acting actuator that generates is JHD2E0412YDA,the torque of 0° is 4050N.m.

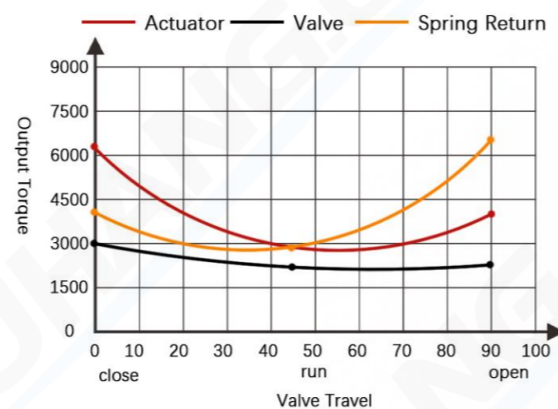


Selection of single acting actuators

- 1.When the actuator moves, it is necessary to counteract the reaction force generated by the spring. As shown on the right, according to the properties of the fork, the output torque of the FC type is maximum at 0°, then gradually decreases, and then gradually increases after turning a certain angle.
- 2.When air is lost, as shown in the figure on the right, according to the fork characteristics, the output torque of the FC spring is maximum at 90°, and then gradually decreases, and then gradually increases after turning a certain Angle.

Under the condition of normal operation, the recommended confidence coefficient of single acting actuator is 30%.

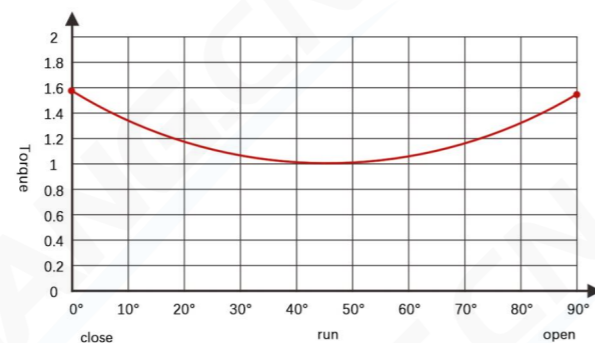
E.g.: Required torque of valve 0°=2000N.m
 Actuator torque≥2000x1.3=2600N.m;Air supply pressure=0.4Mpa
 Refer to the able,under the pressure of 0.4Mpa,the single acting Actuator that generates is JHD2E0516YS4,
 the torque of spring 0° is 3077N.m,the torque of air 0° is 5127N.m.



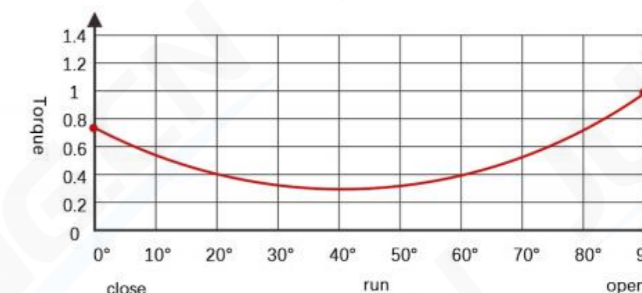
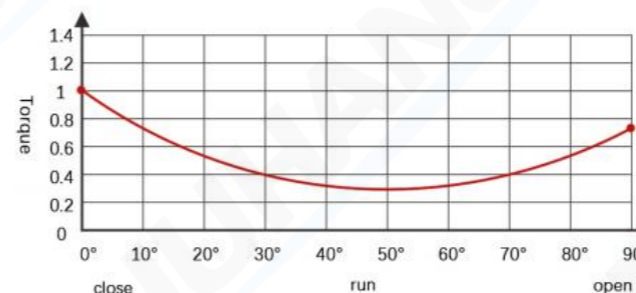


TORQUE (N.M)

JHD series pneumatic actuator double acting output torque



JHD series pneumatic actuator single action output torque (FC)



Output torque in N.m												
Model	0.35 Mpa			0.4 Mpa			0.5 Mpa			0.6 Mpa		
	0°	45°	90°	0°	45°	90°	0°	45°	90°	0°	45°	90°
JHD2E0410YDA	2,461	1,360	2,461	2,812	1,554	2,812	3,515	1,942	3,515	4,218	2,331	4,218
JHD2E0412YDA	3,544	1,958	3,544	4,050	2,237	4,050	5,062	2,797	5,062	Exceeds MOP		
JHD2E0512YDA	4,169	2,303	4,169	4,764	2,632	4,764	5,956	3,290	5,956	7,147	3,949	7,147
JHD2E0514YDA	5,674	3,135	5,674	6,485	3,583	6,485	8,106	4,479	8,106	Exceeds MOP		
JHD2E0516YDA	7,411	4,095	7,411	8,470	4,680	8,470	Exceeds MOP					
JHD2E0614YDA	6,809	3,762	6,809	7,782	4,299	7,782	9,727	5,374	9,727	11,673	6,449	11,673
JHD2E0616YDA	8,894	4,914	8,894	10,164	5,616	10,164	12,705	7,020	12,705	15,246	8,423	15,246
JHD2E0618YDA	11,256	6,219	11,256	12,864	7,107	12,864	16,080	8,884	16,080	Exceeds MOP		
JHD2E0620YDA	13,896	7,678	13,896	15,881	8,774	15,881	Exceeds MOP					
JHD2E0718YDA	13,601	7,515	13,601	15,544	8,588	15,544	19,430	10,735	19,430	23,316	12,882	23,316
JHD2E0720YDA	17,145	9,472	17,145	19,594	10,826	19,594	24,493	13,532	24,493	29,391	16,239	29,391
JHD2E0722YDA	20,317	11,225	20,317	23,220	12,829	23,220	29,025	16,036	29,025	34,830	19,244	34,830
JHD2E0724YDA	24,179	13,359	24,179	27,634	15,268	27,634	34,542	19,084	34,542	Exceeds MOP		
JHD2E0824YDA	30,016	16,584	30,016	34,304	18,953	34,304	42,880	23,691	42,880	51,456	28,429	51,456
JHD2E0828YDA	40,855	22,572	40,855	46,691	25,797	46,691	58,364	32,246	58,364	70,037	38,695	70,037
JHD2E0822TDA	50,443	27,870	50,443	57,649	31,851	57,649	72,062	39,814	72,062	Exceeds MOP		
JHD2E0832YDA	53,361	29,482	53,361	60,985	33,694	60,985	Exceeds MOP					
JHD2E0928YDA	48,799	26,961	48,799	55,770	30,813	55,770	69,713	38,516	69,713	83,655	46,220	83,655
JHD2E0922TDA	60,252	33,289	60,252	68,859	38,045	68,859	86,074	47,556	86,074	103,289	57,067	103,289
JHD2E0932YDA	63,737	35,215	63,737	72,843	40,246	72,843	91,053	50,307	91,053	109,264	60,368	109,264
JHD2E0924TDA	71,704	39,617	71,704	81,948	45,276	81,948	102,435	56,595	102,435	122,922	67,914	122,922
JHD2E0936YDA	80,668	44,569	80,668	92,191	50,936	92,191	115,239	63,670	115,239	Exceeds MOP		
JHD2E0940YDA	99,590	55,023	99,590	113,817	62,884	113,817	Exceeds MOP					
JHD2E1236YDA	108,807	60,116	108,807	124,351	68,704	124,351	155,439	85,880	155,439	186,527	103,056	186,527
JHD2E1240YDA	134,330	74,217	134,330	153,520	84,820	153,520	191,900	106,025	191,900	230,280	127,230	230,280
JHD2E1244YDA	162,539	89,803	162,539	185,759	102,632	185,759	232,199	128,290	232,199	Exceeds MOP		
JHD2E1236TDA	217,615	120,232	217,615	248,703	137,408	248,703	Exceeds MOP					

Output torque in N.m (Fail Closed)												
Model	Spring			0.4 Mpa			0.5 Mpa			0.6 Mpa		
	0°	45°	90°	0°	45°	90°	0°	45°	90°	0°	45°	90°
JHD2E0410YS4	1,021	725	1,578	1,676	774	1,125	2,365	1,154	1,814	3,054	1,535	2,503
JHD2E0410YS5	1,218	943	2,168				2,157	928	1,204	2,846	1,309	1,893
JHD2E0410YS6	1,550	1,131	2,508							2,494	1,115	1,541
JHD2E0412YS4	1,550	1,131	2,508	2,353	1,037	1,400	3,352	1,589	2,399	4,351	2,140	3,398
JHD2E0412YS5	1,827	1,343	2,992				3,058	1,369	1,898	4,057	1,921	2,897
JHD2E0412YS6	2,202	1,610	3,574							3,661	1,645	2,294
JHD2E0512YS4	1,651	1,261	2,875	2,952	1,292	1,726	4,126	1,941	2,900	5,301	2,590	4,075
JHD2E0512YS5	2,213	1,579	3,451				3,531	1,612	2,305	4,706	2,261	3,480
JHD2E0512YS6	2,488	1,836	4,099							4,415	1,996	2,809
JHD2E0514YS4	2,488	1,836	4,099	3,766	1,637	2,160	5,366	2,521	3,760	6,966	3,405	5,360
JHD2E0514YS5	3,077	2,245	4,978				4,742	2,097	2,850	6,342	2,981	4,450
JHD2E0514YS6	3,634	2,520	5,404							5,753	2,697	4,010
JHD2E0516YS4	3,077	2,245	4,978	5,127	2,310	3,235	7,224	3,468	5,332	9,320	4,627	7,428
JHD2E0516YS5	3,634	2,520	5,404				6,634	3,184	4,891	8,731	4,342	6,988
JHD2E0516YS6	4,540	3,420	7,734							7,771	3,411	4,577
JHD2E0616YS4	3,693	2,651	5,818	6,153	2,817	4,043	8,668	4,207	6,559	11,184	5,596	9,075
JHD2E0616YS5	4,673	3,402	7,533				7,630	3,430	4,785	10,146	4,820	7,301
JHD2E0616YS6	5,748	4,218	9,385							9,008	3,976	5,385
JHD2E0618YS4	4,673	3,402	7,533	7,787	3,517	4,942	10,971	5,276	8,126	14,155	7,035	11,310
JHD2E0618YS5	5,748	4,218	9,385				9,833	4,432	6,211	13,017	6,191	9,394
JHD2E0618YS6	7,271	5,341	11,890							11,404	5,030	6,803
JHD2E0620YS4	5,748	4,218	9,385	9,667	4,340	6,044	13,605	6,516	9,982	17,543	8,692	13,921
JHD2E0620YS5	7,271	5,341	11,890				11,992	5,354	7,391	15,930	7,530	11,329
JHD2E0620YS6	8,650	6,356	14,153							14,470	6,480	8,988
JHD2E0720YS4	6,972	5,239	11,830	11,653	5,097	6,796	16,411	7,726	11,555	21,170	10,355	16,314
JHD2E0720YS5	8,714	6,518	14,674				14,567	6,403	8,613	19,325	9,033	13,372
JHD2E0720YS6	10,430	7,861	17,780							17,508	7,643	10,159

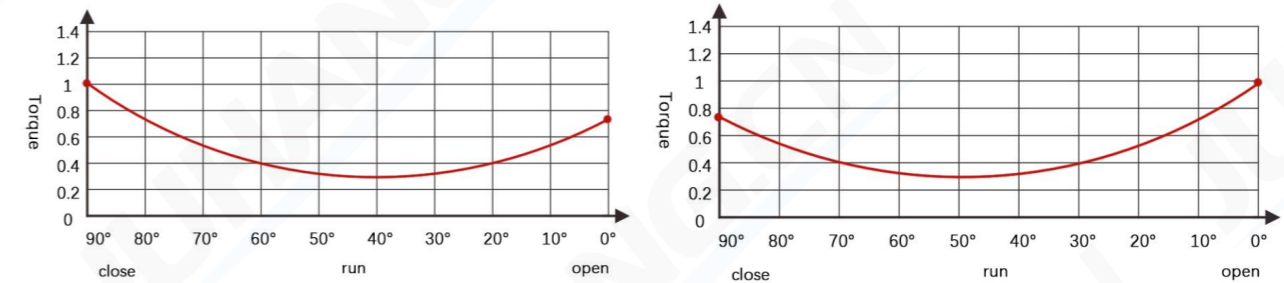
Exceeds MOP: Exceeds Maximum Operating Pressure.

TORQUE (N.M)

JHD series pneumatic actuator single action output torque (FC)

Output torque in N.m (Fail Closed)												
Model	Spring			0.4Mpa			0.5Mpa			0.6Mpa		
	0°	45°	90°	0°	45°	90°	0°	45°	90°	0°	45°	90°
JHD2E0722YS4	8,714	6,518	14,676	13,761	5,958	7,805	19,508	9,133	13,552	25,255	12,308	19,299
JHD2E0722YS5	10,430	7,861	17,780				17,691	7,744	10,342	23,438	10,919	16,089
JHD2E0722YS6	12,651	9,292	20,689							21,086	9,438	13,079
JHD2E0724YS4	10,430	7,861	17,780	16,358	7,007	9,008	23,208	10,792	15,859	30,058	14,577	22,709
JHD2E0724YS5	12,651	9,292	20,687				20,856	9,312	12,852	27,707	13,097	19,702
JHD2E0724YS6	15,358	11,078	24,383							24,841	11,249	15,878
JHD2E0824YS4	12,462	9,525	21,724	20,821	8,940	11,542	29,324	13,639	20,046	37,828	18,337	28,550
JHD2E0824YS5	16,147	11,808	26,216				25,422	11,277	15,400	33,926	15,975	23,903
JHD2E0824YS6	17,800	13,755	31,574							32,176	13,961	18,360
JHD2E0828YS4	16,147	11,808	26,216	29,191	13,360	19,169	40,764	19,753	30,741	52,336	26,147	42,313
JHD2E0828YS5	21,062	15,600	34,913				35,560	15,830	21,744	47,132	22,224	33,316
JHD2E0828YS6	26,468	19,510	43,532							41,408	18,179	24,400
JHD2E0832YS4	21,062	15,599	34,910	38,217	17,299	24,404	53,346	25,658	39,533	68,475	34,017	54,662
JHD2E0832YS5	26,468	19,510	43,532				47,622	21,613	30,614	62,751	29,972	45,743
JHD2E0832YS6	32,634	24,429	55,029							56,223	24,883	33,850
JHD2E0932YS4	26,461	19,123	42,140	44,268	20,155	28,692	62,339	30,140	46,764	80,410	40,124	64,835
JHD2E0932YS5	33,488	24,258	53,536				54,898	24,827	34,974	72,969	34,811	53,045
JHD2E0932YS6	41,106	30,380	67,899							64,903	28,479	38,187
JHD2E0936YS4	33,488	24,258	53,536	56,005	25,439	36,081	78,871	38,072	58,947	101,736	50,705	81,812
JHD2E0936YS5	41,106	30,380	67,899				70,805	31,739	44,088	93,671	44,373	66,954
JHD2E0936YS6	50,234	36,077	79,180							84,005	38,479	55,285
JHD2E1236YS4	45,253	33,000	73,138	75,453	34,024	47,709	106,296	51,064	78,551	137,138	68,104	109,393
JHD2E1236YS5	56,464	42,306	95,353				94,426	41,436	55,570	125,268	58,477	86,412
JHD2E1236YS6	69,708	51,933	116,646							111,245	48,518	64,385
JHD2E1240YS4	56,464	42,306	95,353	92,200	40,206	53,344	130,196	61,199	91,340	168,192	82,192	129,337
JHD2E1240YS5	69,708	51,933	116,646				116,173	51,241	69,313	154,169	72,233	107,309
JHD2E1240YS6	83,647	62,788	141,671							139,410	61,005	81,421

JHD series pneumatic actuator single action output torque (FO)



Output torque in N.m (Fail Open)												
Model	Spring			0.4Mpa			0.5Mpa			0.6Mpa		
	0°	45°	90°	0°	45°	90°	0°	45°	90°	0°	45°	90°
JHD2E0410YS4	1,578	725	1,021	1,125	774	1,676	1,814	1,154	2,365	2,503	1,535	3,054
JHD2E0410YS5	2,168	943	1,218				1,204	928	2,157	1,893	1,309	2,846
JHD2E0410YS6	2,508	1,131	1,550							1,541	1,115	2,494
JHD2E0412YS4	2,508	1,131	1,550	1,400	1,037	2,353	2,399	1,589	3,352	3,398	2,140	4,351
JHD2E0412YS5	2,992	1,343	1,827				1,898	1,369	3,058	2,897	1,921	4,057
JHD2E0412YS6	3,574	1,610	2,202							2,294	1,645	3,661
JHD2E0512YS4	2,875	1,261	1,651	1,726	1,292	2,952	2,900	1,941	4,126	4,075	2,590	5,301
JHD2E0512YS5	3,451	1,579	2,213				2,305	1,612	3,531	3,480	2,261	4,706
JHD2E0512YS6	4,099	1,836	2,488							2,809	1,996	4,415
JHD2E0514YS4	4,099	1,836	2,488	2,160	1,637	3,766	3,760	2,521	5,366	5,360	3,405	6,966
JHD2E0514YS5	4,978	2,245	3,077				2,850	2,097	4,742	4,450	2,981	6,342
JHD2E0514YS6	5,404	2,520	3,634							4,010	2,697	5,753
JHD2E0516YS4	4,978	2,245	3,077	3,235	2,310	5,127	5,332	3,468	7,224	7,428	4,627	9,320
JHD2E0516YS5	5,404	2,520	3,634				4,891	3,184	6,634	6,988	4,342	8,731
JHD2E0516YS6	7,734	3,420	4,540							4,577	3,411	7,771
JHD2E0616YS4	5,818	2,651	3,693	4,043	2,817	6,153	6,559	4,207	8,668	9,075	5,596	11,184
JHD2E0616YS5	7,533	3,402	4,673				4,785	3,430	7,630	7,301	4,820	10,146
JHD2E0616YS6	9,385	4,218	5,748							5,385	3,976	9,008
JHD2E0618YS4	7,533	3,402	4,673	4,942	3,517	7,787	8,126	5,276	10,971	11,310	7,035	14,155
JHD2E0618YS5	9,385	4,218	5,748				6,211	4,432	9,833	9,394	6,191	13,017
JHD2E0618YS6	11,890	5,341	7,271							6,803	5,030	11,404
JHD2E0620YS4	9,385	4,218	5,748	6,044	4,340	9,667	9,982	6,516	13,605	13,921	8,692	17,543
JHD2E0620YS5	11,890	5,341	7,271				7,391	5,354	11,992	11,329	7,530	15,930
JHD2E0620YS6	14,153	6,356	8,650							8,988	6,480	14,470
JHD2E0720YS4	11,830	5,239	6,972	6,796	5,097	11,653	11,555	7,726	16,411	16,314	10,355	21,170
JHD2E0720YS5	14,674	6,518	8,714				8,613	6,403	14,567	13,372	9,033	19,325
JHD2E0720YS6	17,780	7,861	10,430							10,159	7,643	17,508

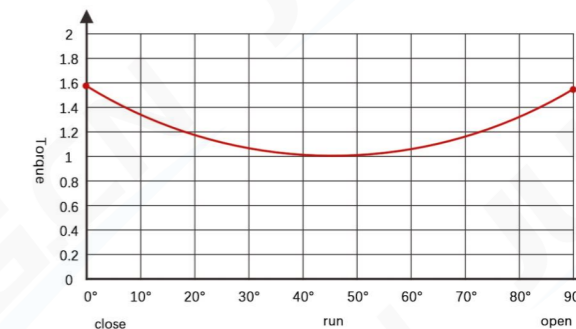
TORQUE (N.M)

JHD series pneumatic actuator single action output torque (FO)

Output torque in N.m (Fail Open)												
Model	Spring			0.4Mpa			0.5Mpa			0.6Mpa		
	0°	45°	90°	0°	45°	90°	0°	45°	90°	0°	45°	90°
JHD2E0722YS4	14,676	6,518	8,714	7,805	5,958	13,761	13,552	9,133	19,508	19,299	12,308	25,255
JHD2E0722YS5	17,780	7,861	10,430				10,342	7,744	17,691	16,089	10,919	23,438
JHD2E0722YS6	20,689	9,292	12,651							13,079	9,438	21,086
JHD2E0724YS4	17,780	7,861	10,430	9,008	7,007	16,358	15,859	10,792	23,208	22,709	14,577	30,058
JHD2E0724YS5	20,687	9,292	12,651				12,852	9,312	20,856	19,702	13,097	27,707
JHD2E0724YS6	24,383	11,078	15,358							15,878	11,249	24,841
JHD2E0824YS4	21,724	9,525	12,462	11,542	8,940	20,821	20,046	13,639	29,324	28,550	18,337	37,828
JHD2E0824YS5	26,216	11,808	16,147				15,400	11,277	25,422	23,903	15,975	33,926
JHD2E0824YS6	31,574	13,755	17,800							18,360	13,961	32,176
JHD2E0828YS4	26,216	11,808	16,147	19,169	13,360	29,191	30,741	19,753	40,764	42,313	26,147	52,336
JHD2E0828YS5	34,913	15,600	21,062				21,744	15,830	35,560	33,316	22,224	47,132
JHD2E0828YS6	43,532	19,510	26,468							24,400	18,179	41,408
JHD2E0832YS4	34,910	15,599	21,062	24,404	17,299	38,217	39,533	25,658	53,346	54,662	34,017	68,475
JHD2E0832YS5	43,532	19,510	26,468				30,614	21,613	47,622	45,743	29,972	62,751
JHD2E0832YS6	55,029	24,429	32,634							33,850	24,883	56,223
JHD2E0932YS4	42,140	19,123	26,461	28,692	20,155	44,268	46,764	30,140	62,339	64,835	40,124	80,410
JHD2E0932YS5	53,536	24,258	33,488				34,974	24,827	54,898	53,045	34,811	72,969
JHD2E0932YS6	67,899	30,380	41,106							38,187	28,479	64,903
JHD2E0936YS4	53,536	24,258	33,488	36,081	25,439	56,005	58,947	38,072	78,871	81,812	50,705	101,736
JHD2E0936YS5	67,899	30,380	41,106				44,088	31,739	70,805	66,954	44,373	93,671
JHD2E0936YS6	79,180	36,077	50,234							55,285	38,479	84,005
JHD2E1236YS4	73,138	33,000	45,253	47,709	34,024	75,453	78,551	51,064	106,296	109,393	68,104	137,138
JHD2E1236YS5	95,353	42,306	56,464				55,570	41,436	94,426	86,412	58,477	125,268
JHD2E1236YS6	116,646	51,933	69,708							64,385	48,518	111,245
JHD2E1240YS4	95,353	42,306	56,464	53,344	40,206	92,200	91,340	61,199	130,196	129,337	82,192	168,192
JHD2E1240YS5	116,646	51,933	69,708				69,313	51,241	116,173	107,309	72,233	154,169
JHD2E1240YS6	141,671	62,788	83,647							81,421	61,005	139,410

TORQUE (lbf.in)

JHD series pneumatic actuator double action output torque

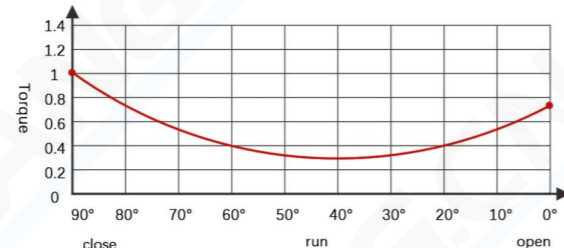
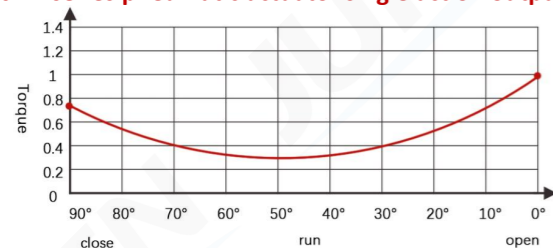


Output torque in lbf.in												
Model	50 PSIG			60 PSIG			70 PSIG			80 PSIG		
	0°	45°	90°	0°	45°	90°	0°	45°	90°	0°	45°	90°
JHD2E0410YDA	21,449	11,851	21,449	25,739	14,221	25,739	30,029	16,591	30,029	34,319	18,961	34,319
JHD2E0412YDA	30,887	17,065	30,887	37,065	20,478	37,065	43,242	23,891	43,242	Exceeds MOP		
JHD2E0512YDA	36,338	20,077	36,338	43,606	24,092	43,606	50,873	28,107	50,873	58,141	32,123	58,141
JHD2E0514YDA	49,460	27,327	49,460	59,352	32,792	59,352	69,244	38,257	69,244	Exceeds MOP		
JHD2E0516YDA	64,601	35,692	64,601	77,521	42,830	77,521	Exceeds MOP					
JHD2E0614YDA	59,352	32,792	59,352	71,222	39,350	71,222	83,093	45,909	83,093	94,963	52,467	94,963
JHD2E0616YDA	77,521	42,830	77,521	93,025	51,396	93,025	108,529	59,962	108,529	124,034	68,529	124,034
JHD2E0618YDA	98,112	54,207	98,112	117,735	65,049	117,735	137,357	75,890	137,357	Exceeds MOP		
JHD2E0620YDA	121,126	66,922	121,126	145,352	80,307	145,352	Exceeds MOP					
JHD2E0718YDA	118,553	65,500	118,553	142,263	78,600	142,263	165,974	91,700	165,974	189,684	104,800	189,684
JHD2E0720YDA	149,442	82,567	149,442	179,331	99,080	179,331	209,219	115,594	209,219	239,108	132,107	239,108
JHD2E0722YDA	177,097	97,846	177,097	212,516	117,415	212,516	247,936	136,985	247,936	283,355	156,554	283,355
JHD2E0724YDA	210,760	116,445	210,760	252,912	139,734	252,912	295,064	163,023	295,064	Exceeds MOP		
JHD2E0824YDA	261,633	144,552	261,633	313,960	173,463	313,960	366,286	202,373	366,286	418,613	231,284	418,613
JHD2E0828YDA	356,112	196,752	356,112	427,334	236,102	427,334	498,557	275,452	498,557	569,779	314,803	569,779
JHD2E0822TDA	439,689	242,928	439,689	527,627	291,514	527,627	615,565	340,100	615,565	Exceeds MOP		
JHD2E0832YDA	465,126	256,982	465,126	558,151	308,378	558,151	Exceeds MOP					
JHD2E0928YDA	425,356	235,009	425,356	510,427	282,011	510,427	595,498	329,013	595,498	680,569	376,015	680,569
JHD2E0922TDA	525,184	290,164	525,184	630,221	348,197	630,221	735,258	406,230	735,258	840,295	464,263	840,295
JHD2E0932YDA	555,567	306,951	555,567	666,680	368,341	666,680	777,793	429,731	777,793	888,907	491,121	888,907
JHD2E0924TDA	625,013	345,319	625,013	750,015	414,383	750,015	875,018	483,447	875,018	1,000,020	552,511	1,000,020
JHD2E0936YDA	703,139	388,484	703,139	843,767	466,181	843,767	984,395	543,878	984,395	Exceeds MOP		
JHD2E0940YDA	868,073	479,610	868,073	1,041,688	575,532	1,041,688	Exceeds MOP					
JHD2E1236YDA	948,420	524,002	948,420	1,138,104	628,803	1,138,104	1,327,788	733,603	1,327,788	1,517,472	838,404	1,517,472
JHD2E1240YDA	1,170,889	646,916	1,170,889	1,405,067	776,300	1,405,067	1,639,245	905,683	1,639,245	1,873,423	1,035,066	1,873,423
JHD2E1244YDA	1,416,776	782,769	1,416,776	1,700,131	939,322	1,700,131	1,983,486	1,095,876	1,983,486	Exceeds MOP		
JHD2E1236TDA	1,896,841	1,048,004	1,896,841	2,276,209	1,257,605	2,276,209	Exceeds MOP					

Exceeds MOP: Exceeds Maximum Operating Pressure.

TORQUE (lbf.in)

JHD series pneumatic actuator single action output torque (FC)



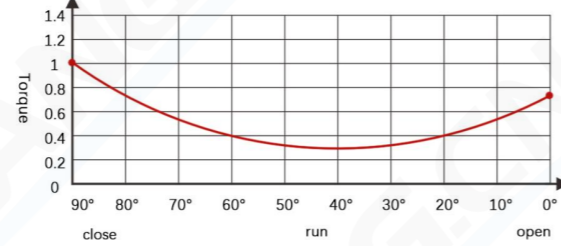
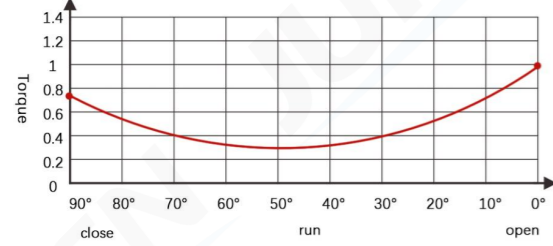
JHD series pneumatic actuator single action output torque (FC)

Output torque in lbf.in (Fail Closed)												
Model	Spring			Air to Spring(60 PSIG)			Air to Spring(70 PSIG)			Air to Spring(90 PSIG)		
	0°	45°	90°	0°	45°	90°	0°	45°	90°	0°	45°	90°
JHD2E0410YS4	9,039	6,413	13,964	15,664	7,308	10,789	19,870	9,631	14,995	28,282	14,279	23,406
JHD2E0410YS5	10,778	8,348	19,188				18,028	7,630	9,591	26,440	12,277	18,003
JHD2E0410YS6	13,719	10,010	22,194							23,326	10,558	14,893
JHD2E0412YS4	13,719	10,010	22,194	22,034	9,844	13,601	28,128	13,211	19,694	40,314	19,944	31,881
JHD2E0412YS5	16,172	11,887	26,478				25,530	11,269	15,263	37,717	18,002	27,450
JHD2E0412YS6	19,482	14,247	31,632							34,212	15,561	22,118
JHD2E0512YS4	14,610	11,159	25,442	27,543	12,220	16,693	34,711	16,181	23,862	49,049	24,102	38,199
JHD2E0512YS5	19,587	13,974	30,536				29,442	13,269	18,592	43,779	21,191	32,929
JHD2E0512YS6	22,015	16,245	36,271							41,208	18,841	26,996
JHD2E0514YS4	22,015	16,245	36,271	35,267	15,559	21,055	45,030	20,953	30,818	64,555	31,741	50,343
JHD2E0514YS5	27,232	19,870	44,055				39,506	17,202	22,765	59,031	27,990	42,291
JHD2E0514YS6	32,155	22,303	47,825							53,818	25,473	38,391
JHD2E0516YS4	27,232	19,870	44,055	47,912	21,847	31,171	60,703	28,914	43,962	86,285	43,048	69,544
JHD2E0516YS5	32,155	22,303	47,825				55,490	26,397	40,063	81,072	40,531	65,645
JHD2E0516YS6	40,174	30,267	68,446							72,581	32,292	44,313
JHD2E0616YS4	32,678	23,464	51,490	57,494	26,609	38,829	72,844	35,090	54,179	103,542	52,051	84,877
JHD2E0616YS5	41,356	30,110	66,665				63,655	28,215	38,480	94,353	45,176	69,179
JHD2E0616YS6	50,867	37,326	83,052							84,284	37,711	52,226
JHD2E0618YS4	41,356	30,110	66,665	72,769	33,250	47,594	92,195	43,983	67,020	131,048	65,449	105,873
JHD2E0618YS5	50,867	37,326	83,052				82,125	36,518	50,068	120,978	57,984	88,920
JHD2E0618YS6	64,348	47,263	105,225							106,703	47,705	65,983
JHD2E0620YS4	50,867	37,326	83,052	90,316	41,043	58,258	114,345	54,320	82,287	162,403	80,872	130,345
JHD2E0620YS5	64,348	47,263	105,225				100,071	44,040	59,350	148,129	70,592	107,408
JHD2E0620YS6	76,548	56,244	125,251							135,211	61,301	86,692
JHD2E0720YS4	61,696	46,366	104,692	108,886	48,287	65,909	137,921	64,329	94,944	195,991	96,413	153,014
JHD2E0720YS5	77,115	57,678	129,860				121,595	52,626	68,908	179,665	84,710	126,979
JHD2E0720YS6	92,302	69,565	157,344							163,584	72,414	98,546

Output torque in lbf.in (Fail Closed)												
Model	Spring			Air to Spring(60 PSIG)			Air to Spring(70 PSIG)			Air to Spring(90 PSIG)		
	0°	45°	90°	0°	45°	90°	0°	45°	90°	0°	45°	90°
JHD2E0722YS4	77,115	57,683	129,879	128,740	56,569	76,033	163,805	75,942	111,098	233,936	114,689	181,229
JHD2E0722YS5	92,302	69,565	157,344				147,725	63,651	82,686	217,855	102,398	152,817
JHD2E0722YS6	111,958	82,234	183,087							197,043	89,292	126,187
JHD2E0724YS4	92,302	69,565	157,344	153,055	66,596	88,017	194,853	89,689	129,815	278,449	135,876	213,410
JHD2E0724YS5	111,958	82,228	183,067				174,041	76,589	103,205	257,636	122,776	186,801
JHD2E0724YS6	135,909	98,037	215,779							232,277	106,422	152,961
JHD2E0824YS4	110,283	84,292	192,251	194,551	84,807	112,441	246,438	113,474	164,328	350,212	170,809	268,102
JHD2E0824YS5	142,897	104,494	232,000				211,906	92,575	123,209	315,680	149,911	226,983
JHD2E0824YS6	157,523	121,729	279,417							300,193	132,082	177,930
JHD2E0828YS4	142,897	104,494	232,000	272,347	125,969	183,650	342,955	164,980	254,258	484,171	243,002	395,475
JHD2E0828YS5	186,391	138,053	308,964				296,903	130,264	174,640	438,119	208,286	315,856
JHD2E0828YS6	234,231	172,652	385,240							387,465	172,495	236,950
JHD2E0832YS4	186,391	138,047	308,939	356,522	163,211	234,285	448,835	214,213	326,598	633,461	316,219	511,224
JHD2E0832YS5	234,231	172,652	385,240				398,181	178,415	247,666	582,806	280,421	432,292
JHD2E0832YS6	288,796	216,186	486,983							525,032	235,385	327,041
JHD2E0932YS4	234,165	169,228	372,916	413,636	190,457	275,801	523,899	251,377	386,063	744,424	373,217	606,589
JHD2E0932YS5	296,357	214,674	473,772				458,049	204,364	281,730	678,574	326,204	502,255
JHD2E0932YS6	363,769	268,848	600,876							607,196	270,163	370,768
JHD2E0936YS4	296,357	214,674	473,772	523,310	240,421	346,992	662,827	317,504	486,508	941,861	471,670	765,542
JHD2E0936YS5	363,769	268,848	600,876				591,449	261,462	355,021	870,483	415,628	634,054
JHD2E0936YS6	444,550	319,266	700,704							784,951	363,472	530,784
JHD2E1236YS4	400,472	292,033	647,239	705,082	321,731	459,555	893,268	425,703	647,740	1,269,638	633,648	1,024,111
JHD2E1236YS5	499,681	374,393	843,830				788,223	340,504	444,370	1,164,594	548,448	820,740
JHD2E1236YS6	616,882	459,586	1,032,263							1,040,498	460,318	625,810
JHD2E1240YS4	499,681	374,393	843,830	861,942	381,234	518,089	1,093,778	509,323	749,925	1,557,450	765,502	1,213,597
JHD2E1240YS5	616,882	459,586	1,032,263				969,683	421,192	554,994	1,433,355	677,371	1,018,666
JHD2E1240YS6	740,236	555,643	1,253,725							1,302,746	578,002	789,567

TORQUE (lbf-in)

JHD series pneumatic actuator single action output torque (FO)



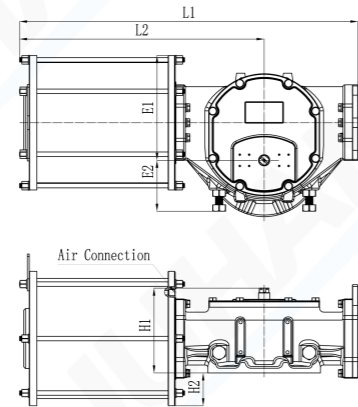
JHD series pneumatic actuator single action output torque (FO)

Output torque in lbf.in (Fail Open)												
Model	Spring			Air to Spring(60 PSIG)			Air to Spring(70 PSIG)			Air to Spring(90 PSIG)		
	0°	45°	90°	0°	45°	90°	0°	45°	90°	0°	45°	90°
JHD2E0410YS4	13,964	6,413	9,039	10,789	7,308	15,664	14,995	9,631	19,870	23,406	14,279	28,282
JHD2E0410YS5	19,188	8,348	10,778				9,591	7,630	18,028	18,003	12,277	26,440
JHD2E0410YS6	22,194	10,010	13,719							14,893	10,558	23,326
JHD2E0412YS4	22,194	10,010	13,719	13,601	9,844	22,034	19,694	13,211	28,128	31,881	19,944	40,314
JHD2E0412YS5	26,478	11,887	16,172				15,263	11,269	25,530	27,450	18,002	37,717
JHD2E0412YS6	31,632	14,247	19,482							22,118	15,561	34,212
JHD2E0512YS4	25,442	11,159	14,610	16,693	12,220	27,543	23,862	16,181	34,711	38,199	24,102	49,049
JHD2E0512YS5	30,536	13,974	19,587				18,592	13,269	29,442	32,929	21,191	43,779
JHD2E0512YS6	36,271	16,245	22,015							26,996	18,841	41,208
JHD2E0514YS4	36,271	16,245	22,015	21,055	15,559	35,267	30,818	20,953	45,030	50,343	31,741	64,555
JHD2E0514YS5	44,055	19,870	27,232				22,765	17,202	39,506	42,291	27,990	59,031
JHD2E0514YS6	47,825	22,303	32,155							38,391	25,473	53,818
JHD2E0516YS4	44,055	19,870	27,232	31,171	21,847	47,912	43,962	28,914	60,703	69,544	43,048	86,285
JHD2E0516YS5	47,825	22,303	32,155				40,063	26,397	55,490	65,645	40,531	81,072
JHD2E0516YS6	68,446	30,267	40,174							44,313	32,292	72,581
JHD2E0616YS4	51,490	23,464	32,678	38,829	26,609	57,494	54,179	35,090	72,844	84,877	52,051	103,542
JHD2E0616YS5	66,665	30,110	41,356				38,480	28,215	63,655	69,179	45,176	94,353
JHD2E0616YS6	83,052	37,326	50,867							52,226	37,711	84,284
JHD2E0618YS4	66,665	30,110	41,356	47,594	33,250	72,769	67,020	43,983	92,195	105,873	65,449	131,048
JHD2E0618YS5	83,052	37,326	50,867				50,068	36,518	82,125	88,920	57,984	120,978
JHD2E0618YS6	105,225	47,263	64,348							65,983	47,705	106,703
JHD2E0620YS4	83,052	37,326	50,867	58,258	41,043	90,316	82,287	54,320	114,345	130,345	80,872	162,403
JHD2E0620YS5	105,225	47,263	64,348				59,350	44,040	100,071	107,408	70,592	148,129
JHD2E0620YS6	125,251	56,244	76,548							86,692	61,301	135,211
JHD2E0720YS4	104,692	46,366	61,696	65,909	48,287	108,886	94,944	64,329	137,921	153,014	96,413	195,991
JHD2E0720YS5	129,860	57,678	77,115				68,908	52,626	121,595	126,979	84,710	179,665
JHD2E0720YS6	157,344	69,565	92,302							98,546	72,414	163,584

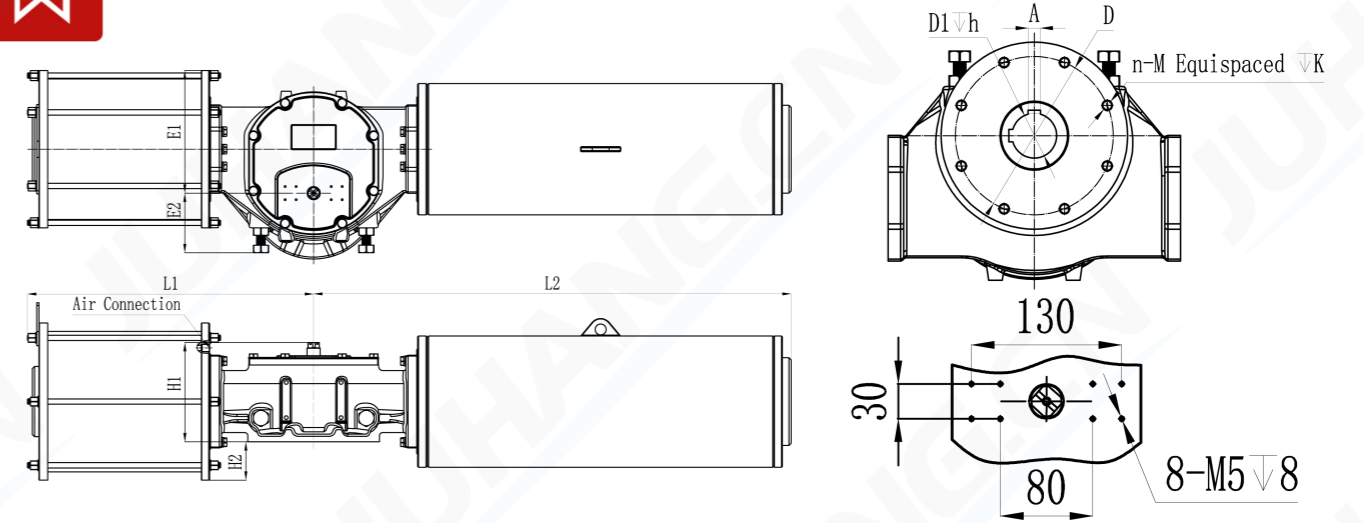
Output torque in lbf.in (Fail Open)												
Model	Spring			Air to Spring(60 PSIG)			Air to Spring(70 PSIG)			Air to Spring(90 PSIG)		
	0°	45°	90°	0°	45°	90°	0°	45°	90°	0°	45°	90°
JHD2E0722YS4	129,879	57,683	77,115	76,033	56,569	128,740	111,098	75,942	163,805	181,229	114,689	233,936
JHD2E0722YS5	157,344	69,565	92,302				82,686	63,651	147,725	152,817	102,398	217,855
JHD2E0722YS6	183,087	82,234	111,958							126,187	89,292	197,043
JHD2E0724YS4	157,344	69,565	92,302	88,017	66,596	153,055	129,815	89,689	194,853	213,410	135,876	278,449
JHD2E0724YS5	183,067	82,228	111,958				103,205	76,589	174,041	186,801	122,776	257,636
JHD2E0724YS6	215,779	98,037	135,909							152,961	106,422	232,277
JHD2E0824YS4	192,251	84,292	110,283	112,441	84,807	194,551	164,328	113,474	246,438	268,102	170,809	350,212
JHD2E0824YS5	232,000	104,494	142,897				123,209	92,575	211,906	226,983	149,911	315,680
JHD2E0824YS6	279,417	121,729	157,523							177,930	132,082	300,193
JHD2E0828YS4	232,000	104,494	142,897	183,650	125,969	272,347	254,258	164,980	342,955	395,475	243,002	484,171
JHD2E0828YS5	308,964	138,053	186,391				174,640	130,264	296,903	315,856	208,286	438,119
JHD2E0828YS6	385,240	172,652	234,231							236,950	172,495	387,465
JHD2E0832YS4	308,939	138,047	186,391	234,285	163,211	356,522	326,598	214,213	448,835	511,224	316,219	633,461
JHD2E0832YS5	385,240	172,652	234,231				247,666	178,415	398,181	432,292	280,421	582,806
JHD2E0832YS6	486,983	216,186	288,796							327,041	235,385	525,032
JHD2E0932YS4	372,916	169,228	234,165	275,801	190,457	413,636	386,063	251,377	523,899	606,589	373,217	744,424
JHD2E0932YS5	473,772	214,674	296,357				281,730	204,364	458,049	502,255	326,204	678,574
JHD2E0932YS6	600,876	268,848	363,769							370,768	270,163	607,196
JHD2E0936YS4	473,772	214,674	296,357	346,992	240,421	523,310	486,508	317,504	662,827	765,542	471,670	941,861
JHD2E0936YS5	600,876	268,848	363,769				355,021	261,462	591,449	634,054	415,628	870,483
JHD2E0936YS6	700,704	319,266	444,550							530,784	363,472	784,951
JHD2E1236YS4	647,239	292,033	400,472	459,555	321,731	705,082	647,740	425,703	893,268	1,024,111	633,648	1,269,638
JHD2E1236YS5	843,830	374,393	499,681				444,370	340,504	788,223	820,740	548,448	1,164,594
JHD2E1236YS6	1,032,263	459,586	616,882							625,810	460,318	1,040,498
JHD2E1240YS4	843,830	374,393	499,681	518,089	381,234	861,942	749,925	509,323	1,093,778	1,213,597	765,502	1,557,450
JHD2E1240YS5	1,032,263	459,586	616,882				554,994	421,192	969,683	1,018,666	677,371	1,433,355
JHD2E1240YS6	1,253,725	555,643	740,236							789,567	578,002	1,302,746



DOUBLE ACTING ACTUATOR DIMENSIONS



SINGLE ACTING ACTUATOR DIMENSIONS



Dimensions,mm											
Model	L1	L2	E1	H2	E2	H1	D1 h	D ISO5211	n-M K	A	Air connection
JHD2E0410YDA	794	582	239	66.5	74	204.5	Φ60 150	F16	4-M20 5	18	1/2"G
JHD2E0412YDA	795	582	264	91.5							1/2"G
JHD2E0512YDA	910	660	279	87.5	127	226	Φ72 174	F25&F16	8-M16 24	20	3/4"G
JHD2E0514YDA	912	662	310	118.5							3/4"G
JHD2E0516YDA	918	670	340	148.5							3/4"G
JHD2E0614YDA	1083	789	330	99	145	261.5	Φ100 198	F30&F25	8-M20 30	28	3/4"G
JHD2E0616YDA	1084	789	360	129							3/4"G
JHD2E0618YDA	1084	789	390	159							3/4"G
JHD2E0620YDA	1084	789	417.5	186.5							3/4"G
JHD2E0718YDA	1248	900	414.5	137.5	183	302	Φ160 235	F35&F30	8-M30 45	40	3/4"G
JHD2E0720YDA	1248	910	442.5	165							1"G
JHD2E0722YDA	1258	910	467.5	190							1"G
JHD2E0724YDA	1258	920	489	211.5							1"G
JHD2E0824YDA	1533	1088	524	188.5	234	348	Φ180 270	F40	8-M36 54	45	1"G
JHD2E0828YDA	1538	1093	580	244.5							1-1/2"G
JHD2E0832YDA	1538	1093	629.5	294							1-1/2"G
JHD2E0928YDA	PLEASE CONTACT US!										
JHD2E0922TDA											
JHD2E0932YDA											
JHD2E0924TDA											
JHD2E0936YDA											
JHD2E0940YDA											
JHD2E1236YDA											
JHD2E1240YDA											
JHD2E1244YDA											
JHD2E1236TDA											

Dimensions,mm											
Model	L1	L2	E1	H2	E2	H1	D1 h	D ISO5211	n-M K	A	Air connection
JHD2E0410YS4	580	840	239	66.5	66.5	204.5	Φ60 150	F16	4-M20 5	18	1/2"G
JHD2E0410YS5		915									
JHD2E0410YS6		850									
JHD2E0412YS4	582	850	264	91.5	66.5	204.5	Φ60 150	F16	4-M20 5	18	1/2"G
JHD2E0412YS5		1040									
JHD2E0412YS6		1075									
JHD2E0512YS4	660	1120	279	87.5	66.5	204.5	Φ60 150	F16	4-M20 5	18	1/2"G
JHD2E0512YS5		1020									
JHD2E0512YS6		1020									
JHD2E0514YS4	662	1020	310	118.5	127	226	Φ72 174	F25&F16	8-M16 24	20	3/4"G
JHD2E0514YS5		1060									
JHD2E0514YS6		1090									
JHD2E0516YS4	670	1060	340	148.5	66.5	204.5	Φ60 150	F16	4-M20 5	18	1/2"G
JHD2E0516YS5		1090									
JHD2E0516YS6		1368									
JHD2E0616YS4	789	1178	360	129	66.5	204.5	Φ60 150	F16	4-M20 5	18	1/2"G
JHD2E0616YS5		1188									
JHD2E0616YS6		1218									
JHD2E0618YS4	789	1188	390	159	145	261.5	Φ100 198	F30&F25	8-M20 30	28	3/4"G
JHD2E0618YS5		1218									
JHD2E0618YS6		1328									
JHD2E0620YS4	789	1218	417.5	186.5	66.5	204.5	Φ60 150	F16	4-M20 5	18	1/2"G
JHD2E0620YS5		1328									
JHD2E0620YS6		1376									

Comments: The standard screw thread for Air connection is "G" thread, "NPT" thread optional.

Comments: The standard screw thread for Air connection is "G" thread, "NPT" thread optional.

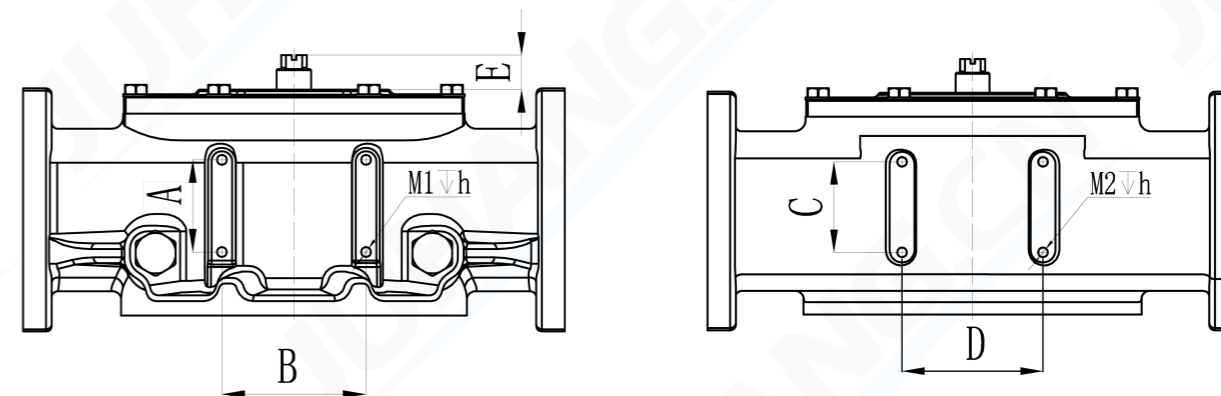


SINGLE ACTING ACTUATOR DIMENSIONS



BOX CONNECTION DIMENSION

Dimensions,mm											
Model	L1	L2	E1	H2	E2	H1	D1 ∇ h	D ISO5211	n-M ∇ K	A	Air connection
JHD2E0720YS4	900	1324	442.5	165	183	302	Φ 160 ∇ 235	F35&F30	8-M30 ∇ 45	40	3/4"G
JHD2E0720YS5		1314									
JHD2E0720YS6		1379									
JHD2E0722YS4	910	1314	467.5	190	183	302	Φ 160 ∇ 235	F35&F30	8-M30 ∇ 45	40	1"G
JHD2E0722YS5		1379									
JHD2E0722YS6		1349									
JHD2E0724YS4	920	1379	489	211.5	183	302	Φ 160 ∇ 235	F35&F30	8-M30 ∇ 45	40	1"G
JHD2E0724YS5		1349									
JHD2E0724YS6		2079									
JHD2E0824YS4	1088	1494	524	188.5	234	348	Φ 180 ∇ 270	F40	8-M36 ∇ 54	45	1"G
JHD2E0824YS5		1864									
JHD2E0824YS6		2207									
JHD2E0828YS4	1093	1864	580	244.5	234	348	Φ 180 ∇ 270	F40	8-M36 ∇ 54	45	1-1/2"G
JHD2E0828YS5		2117									
JHD2E0828YS6		2139									
JHD2E0832YS4	1121	2117	629.5	294	234	348	Φ 180 ∇ 270	F40	8-M36 ∇ 54	45	1-1/2"G
JHD2E0832YS5		2139									
JHD2E0832YS6		2540									
JHD2E0932YS4	PLEASE CONTACT US!										
JHD2E0932YS5											
JHD2E0932YS6											
JHD2E0936YS4											
JHD2E0936YS5											
JHD2E0936YS6											
JHD2E1236YS4											
JHD2E1236YS5											
JHD2E1236YS6											
JHD2E1240YS4											
JHD2E1240YS5											
JHD2E1240YS6											



Dimensions,mm				
Model	A X B	C X D	M1 ∇ h	M2xh
2E04	80X50	80X80	M10 ∇ 12	M10 ∇ 12
2E05	125X80	125X80	M10 ∇ 12	M10 ∇ 12
2E06	124X88	124X88	M10 ∇ 15	M10 ∇ 15
2E07	185X115	185X115	M10 ∇ 15	M10 ∇ 15
2E08	230X100	230X115	M12 ∇ 18	M12 ∇ 18
2E09	PLEASE CONTACT US!			
2E12	PLEASE CONTACT US!			

If you find any errors, please contact us, we will be very grateful for your help, and will correct the errors in time.

Comments: The standard screw thread for Air connection is "G" thread, "NPT" thread optional.