



Street Lamp Special Distribution Box



SLDZ-4 Street Lamp Special Distribution Box

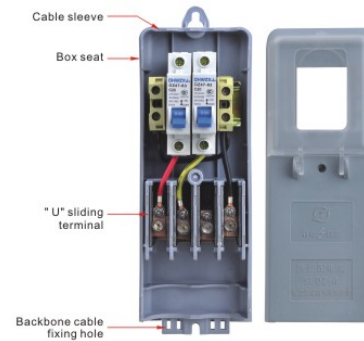


SENTUO ELECTRIC



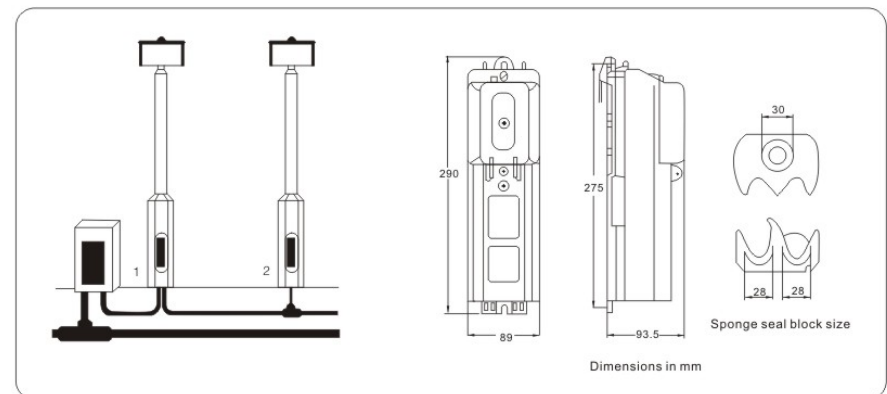
Street Lamp distribution box

1. Insurance box is designed used for street lamp system to fit the field installation.
2. Insurance box is mounted between the lamp power supply network and bulb.
3. Insurance box as a protection device for street lamp circuit and other components, cut off the street lamp circuit selectively when the faults occurs.



Specification for Street Lamp Distribution Box

Lighting distribution box shell is formed by bending increased engineering plastic imported from German, internal branch terminals are all made of copper alloy material, fasteners made of stainless steel wire, spiral type miniature, circuit breaker fuse, fuse holder provided are in conformity with the relevant national standards, sealed class is IP43, protection grade II.





- Equipped with DZ47 miniature circuit breaker
- Equipped with RT18 insurance box
- Equipped with spiral fuse

Selection Standard

1. Suitable for the internal wiring of lamp: pole diameter $\geq 110\text{mm}$ / pole gate size $\geq 90^{\circ}300\text{mm}$
2. 4 "U" type sliding terminal applies to: 2 lines -50mm²
3 line 4-35mm²
3. Applicable fuse model:
RL1 I-2 max. current 15A
RL6 1 max. current 25A
RT18 1-3 max. current 32A
4. Suitable for circuit breaker DZA47-60C32A or other common models such as C65.
5. Timer or other customer specified.

Installation structure (As: SLDZ-4)



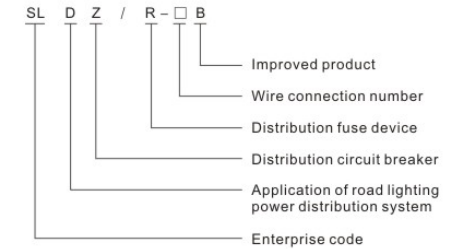
Note: SLDR-4B, SLDR-4, SLDR-2 street lighting distribution box installation structure diagram according to the above.



Application

Suitable for distribution system, widely used in airport, highway, tunnel, bridges, roads and residential areas such as lighting distribution engineering.

Model Specifications



Technical Parameters

1. Voltage range: $\leq 500\text{V}$
2. Frequency withstand voltage: $\geq 2500\text{V}/60\text{s}$
3. Rated current: 150A

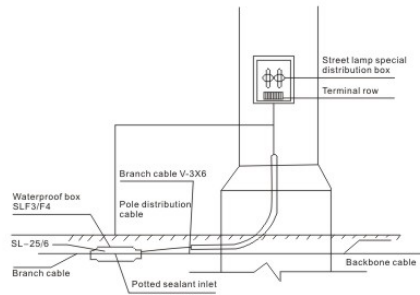
Model Selection

Type	Length × width × height
SLDZ-4	225 × 88 × 90
SLDR-4B	225 × 88 × 90
SLDR-4	225 × 95 × 80
SLDR-2	146 × 85 × 80

Installation Instructions

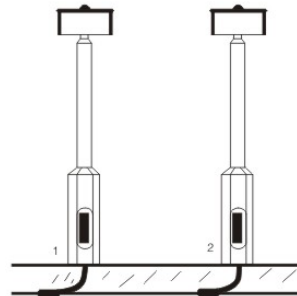
Open the cover, loosened the inner six angle bolts, strip about 35mm of the three-phase four - wire power supply inlet wire and insulating layer of wire head, insert the power outlet holes, tighten the bolt, connect outlet terminal of the circuit breaker or fuse with the lamp wire, close the lid.

Drawing



Connection Between Cable & Distribution Board

Schematic Drawing



Note: 1. Use a waterproof box and three SL-25/6 IPC for a main cable under each street lamp pole, SL-F5 branch type insulated waterproof adopt impact resistance poly carbonate PC material, the box use potted insulating sealing. Waterproof box surrounding backfill with fine sand.