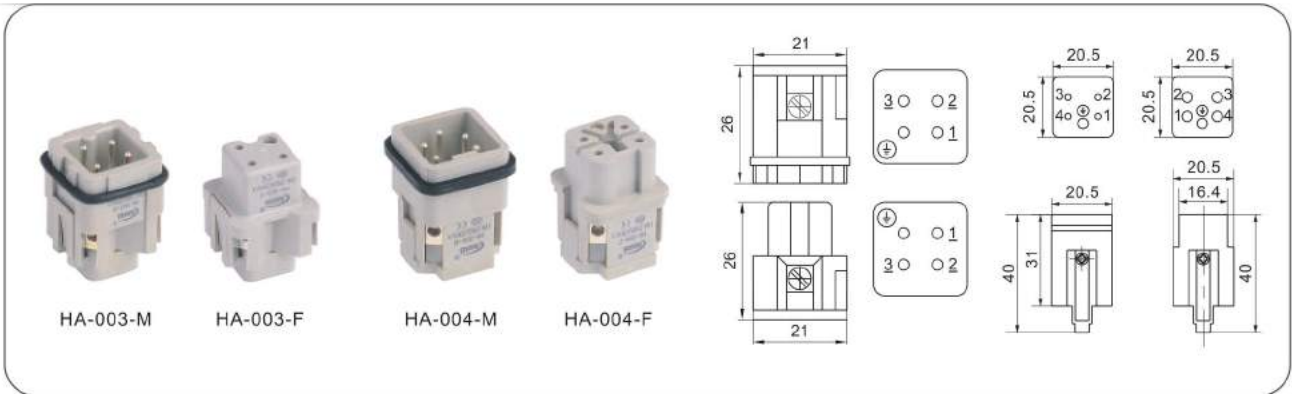


HA INSERT SERIES

HA插体系列

紧凑型标准连接器

HA series 3 Poles of connector



工作电流: 10A
工作电压: 250V
阻燃等级(据UL94): V0
防护等级: IP65
接线形式: 螺钉压接
电缆入口可选螺纹: M20, PG11

Rated current: 10A
Rated voltage: 250V
Flammability acc. to UL94: V0
Degree of protection acc. to DIN40 050: IP65
Terminal: Screw terminal
Thread: M20, PG11



H3A-MTS-M20



H3A-MTG-M20



H3A-MTG-M20



H3A-MAG



H3A-MAGSV-M20



H3A-MAGSV

HDC-HA-003-1
侧面进线/Side entry

HDC-HA-003-4
正面进线/Top entry

HDC-HA-003-4
正面进线/Top entry



H3A-MTG-M20



H3A-MTG-M20



H3A-MTS-M20



H3A-MAGSVB-M20



H3A-MAG



H3A-MAGSV-M20


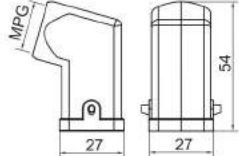

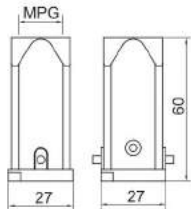

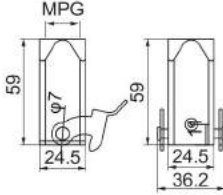

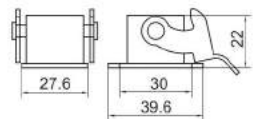

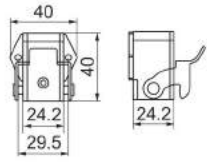

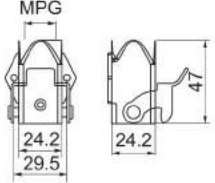
HDC-HA-004-5
正面进线/Top entry

HDC-HA-004-2
正面进线/Top entry

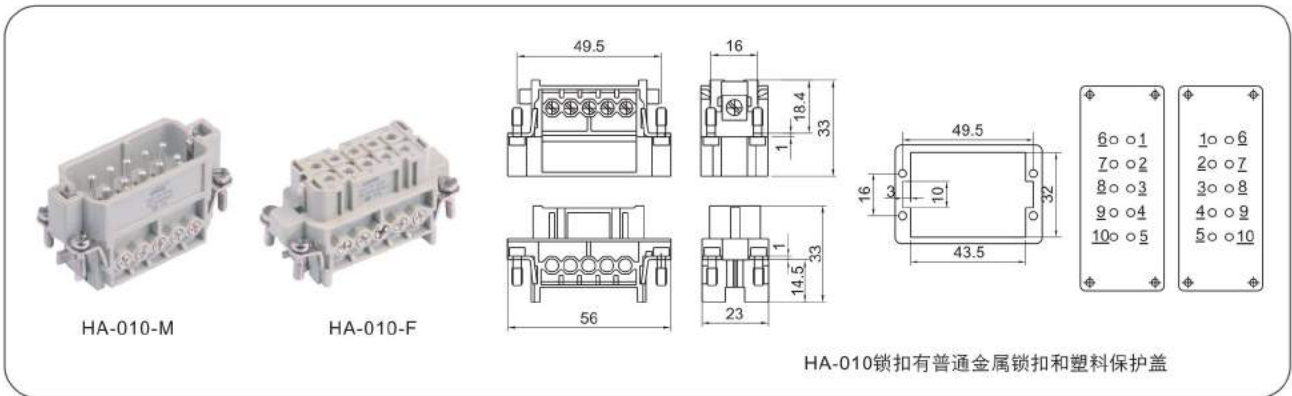
HDC-HA-004-3
侧面进线/Side entry

常用套件组合 / Set general introduction

配套外壳 / Suit hood/housing

H3A 上壳/底座 H3A hood/housing	螺纹 Thread	型号 Type	图纸 Drawing
外壳上壳: 侧面进线 Hood: Side entry			
	PG11 M20	H3A-MTS-PG11 H3A-MTS-M20	
外壳上壳: 顶部进线 Hood: Top entry			
	PG11 M20	H3A-MTG-PG11 H3A-MTG-M20	
H3A电缆对接下壳 H3A Cable butt-joint lower shell			
	PG11 M20	H3A-MAGSVB-PG11 H3A-MAGSVB-M20	
外壳底座: 开孔安装 Bulkhead: mounted			
			
外壳底座: 开孔安装(侧面形式) Bulkhead: mounted (side form)			
		H3A-MAGS	
外壳底座: 表面安装 Bulkhead: Surface mounted			
	PG11 M20	H3A-MAGSV-PG11 H3A-MAGSV-M20	

HA系列10回路接插件套件 HA series 10 Poles of connector



工作电流: 16A
工作电压: 250V
阻燃等级(据UL94): V0
防护等级: IP65
接线形式: 螺钉压接
电缆入口可选螺纹:
PG16, PG21

Rated current: 16A
Rated voltage: 250V
Flammability acc. to UL94: V0
Degree of protection acc. to DIN40 050: IP65
Terminal: Screw terminal
Thread: PG16, PG21




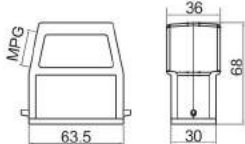

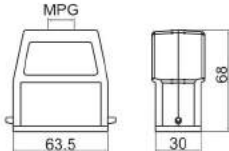

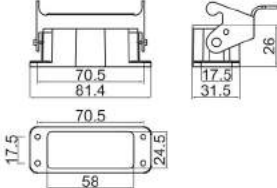

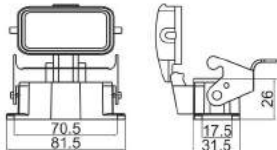

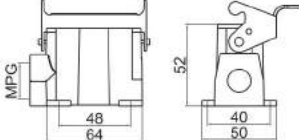

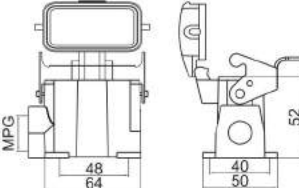
HDC-HA-010-1 侧面进线/Side entry	HDC-HA-010-2 正面进线/Top entry	HDC-HA-010-3 侧面进线/Side entry	HDC-HA-010-4 正面进线/Top entry
--	---------------------------------------	--	---------------------------------------



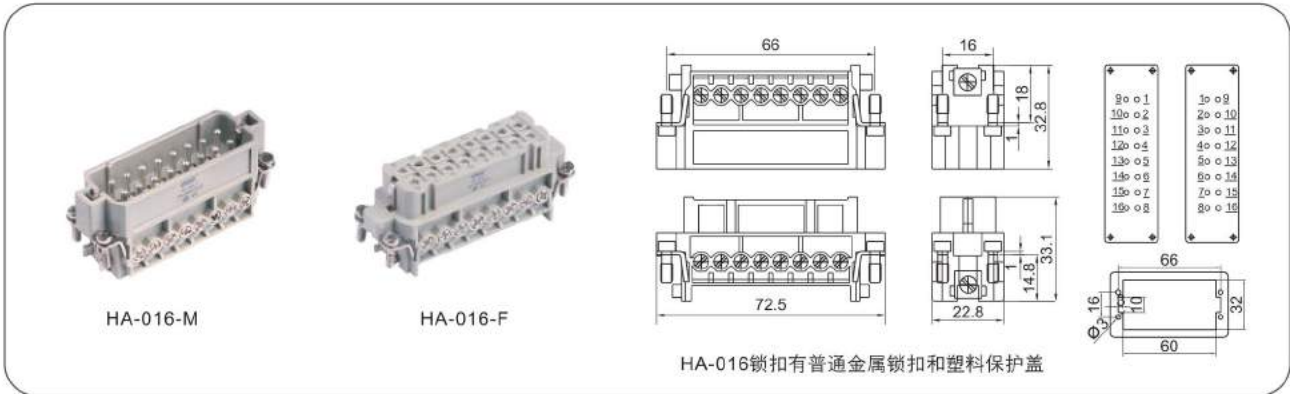
HDC-HA-010-1DB 侧面进线/Side entry	HDC-HA-010-2DB 正面进线/Top entry	HDC-HA-010-3DB 侧面进线/Side entry	HDC-HA-010-4DB 正面进线/Top entry
--	---	--	---

常用套件组合 / Set general introduction

配套外壳 / Suit hood/housing

H10A 上壳/底座 H10A hood/housing	螺纹 Thread	型号 Type	图纸 Drawing
外壳上壳: 侧面进线 Hood: Side entry			
	PG16 PG21	H10A-TSH-RO-PG16 H10A-TSH-RO-PG21	
外壳上壳: 顶部进线 Hood: Top entry			
	PG16 PG21	H10A-TGH-RO-PG16 H10A-TGH-RO-PG21	
		H10A-AG-LB	
		H10A-AD-LB	
外壳底座: 表面安装 Surface mounted: Side entry			
	PG16 PG21	H10A-SGR-LB-PG16 H10A-SGR-LB-PG21	
	PG16 PG21	H10A-SDR-LB-PG16 H10A-SDR-LB-PG21	

HA系列16回路接插件套件 HA series 16 Poles of connector



HA-016锁扣有普通金属锁扣和塑料保护盖

工作电流: 16A
工作电压: 250V
阻燃等级(据UL94): V0
防护等级: IP65
接线形式: 螺钉压接
电缆入口可选螺纹:
PG16, PG21

Rated current: 16A
Rated voltage: 250V
Flammability acc. to UL94: V0
Degree of protection acc. to
DIN40 050: IP65
Terminal: Screw terminal
Thread: PG16, PG21

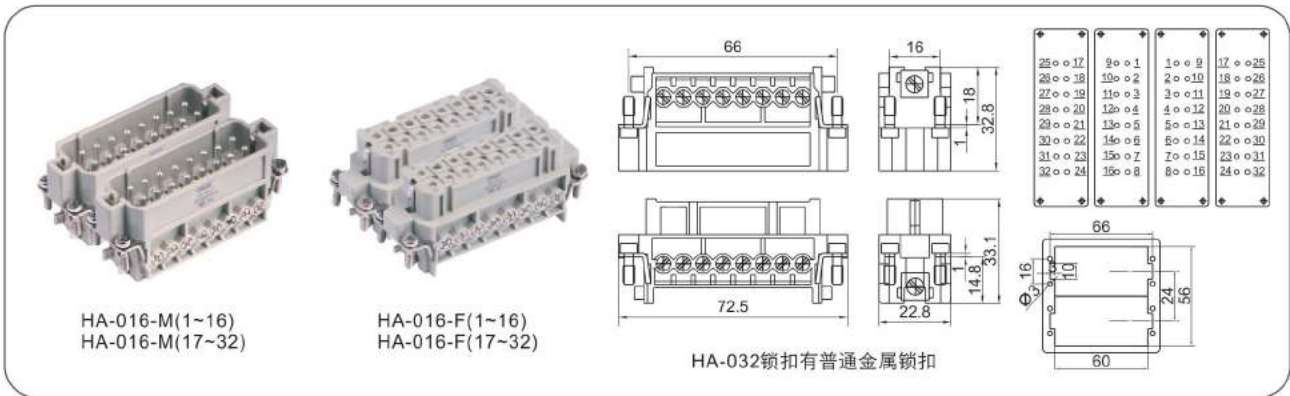


常用套件组合 / Set general introduction

配套外壳 / Suit hood/housing

H16A 上壳/底座 H16A hood/housing	螺纹 Thread	型号 Type	图纸 Drawing
外壳上壳: 侧面进线 Hood: Side entry	PG16 PG21	H16A-TSH-RO-PG16 H16A-TSH-RO-PG21	
外壳上壳: 顶部进线 Hood: Top entry	PG16 PG21	H16A-TGH-RO-PG16 H16A-TGH-RO-PG21	
外壳底座: 开孔安装 Bulkhead: mounted		H16A-AG-LB	
		H16A-AD-LB	
外壳底座: 表面安装 Surface mounted: Side entry	PG16 PG21	H16A-SGR-LB-PG16 H16A-SGR-LB-PG21	
	PG16 PG21	H16A-SDR-LB-PG16 H16A-SDR-LB-PG21	

HA系列32回路接插件 HA series 32 Poles of connector



工作电流: 16A
工作电压: 250V
阻燃等级(据UL94): V0
防护等级: IP65
接线形式: 螺钉压接
电缆入口可选螺纹:
PG21, PG29

Rated current: 16A
Rated voltage: 250V
Flammability acc. to UL94: V0
Degree of protection acc. to DIN40 050: IP65
Terminal: Screw terminal
Thread: PG21, PG29



H32A-TS-PG29



H32A-TG-PG29



H32A-TS-PG29



H32A-TG-PG29



H32A-AG



H32A-AG



H32A-SGR-PG29



H32A-SGR-PG29

HDC-HA-032-1

侧面进线/Side entry

HDC-HA-032-2

正面进线/Top entry

HDC-HA-032-3

侧面进线/Side entry

HDC-HA-032-4

正面进线/Top entry

配套外壳 / Suit hood/housing

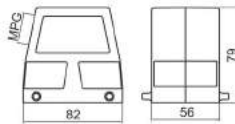
H32A 上壳 H32A hood	螺纹 Thread	型号 Type	图纸 Drawing
----------------------	--------------	------------	---------------

外壳上壳: 侧面进线
Hood: Side entry



PG29
M32

H32A-TS-PG29-
PG29
M32

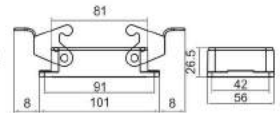


H32A 底座 H32A housing	螺纹 Thread	型号 Type	图纸 Drawing
-------------------------	--------------	------------	---------------

外壳底座: 开孔安装
Bulkhead: mounted



H32A-AG

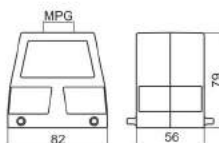


外壳上壳: 顶部进线
Hood: Top entry



PG29
M32

H32A-TG-PG29-
PG29
M32



外壳底座: 表面安装
Surface mounted: Side entry



PG29
M32

H32A-SGR-
PG29
M32

