

Steel Flange Nut



Steel Flange Nuts, also known as Ring Nuts, have a flange that distributes pressure across the surface. Besides, our company also produces other precision fasteners of different types and materials. Our price is excellent and the quality is excellent, and we look forward to becoming your long-term partner in China.

1.Product Introduction

Steel Flange Nuts are nuts made of steel with a flange on the surface that distributes the pressure over the entire surface, eliminating the need for gaskets. These Steel Flange Nuts are made of steel and are therefore strong enough to fasten most machinery and equipment.

2.Product Parameter

Product Name	Steel Flange Nut
Material	Alloy, Stainless steel etc.
Surface Treatment	Knurled, Plating etc.
Package	Plastic bag and carton
Used	Building industry machinery etc.

3.Product features and applications

Steel Flange Nuts, also known as Ring Nuts, have a flange that distributes pressure across its surface like a washer for a secure hold, maintains strength in high pressure and high temperature environments, and is durable and reliable for long-term use. The surface of Steel Flange Nuts is smooth and burr-free, not easy to peel off when rotating, and is stable and reliable.

4.Product Details

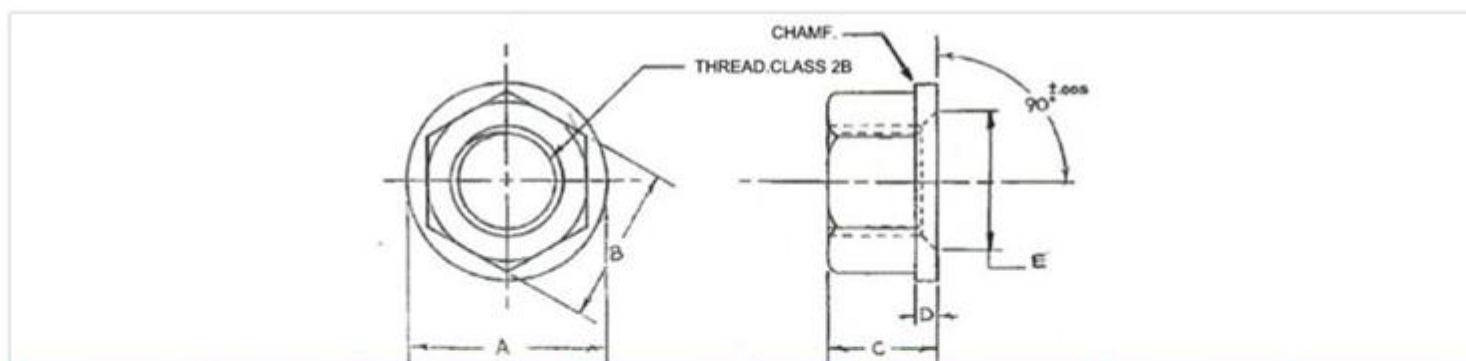
Below is the detailed picture introduction of our product Steel Flange Nut.

The images shown are representative of the product. In addition, we also have products of various sizes and materials for you to choose from.



5.Product Size Chart

The following is the detailed size and material drawing of our product. You can customize it according to your needs. We produce high-quality products according to industry standards. If you have any questions, please feel free to contact us and look forward to cooperating with you.



Part#	Thread	Tap Drill	A	C	D	E	B
CN-094SS	4-40	*	3/8	7/32	3/64	0.122	.250-.242
CN-095SS	6-32	*	13/32	7/32	3/64	0.154	.312-.304
CN-096SS	8-32	*	15/32	1/4	1/16	.182	.344-.334
CN-097SS	10-24	*	1/2	5/16	1/16	.217	.375-.365
CN-098SS	10-32	*	1/2	5/16	1/16	.217	.375-.365
CN-OSS	1/4-20	#7	5/8	5/16	3/32	.286	.500-.488
CN-OOSS	5/16-18	G	3/4	3/8	3/32	.353	.562-.546
CN-10SS	3/8-16	O	7/8	1/2	1/8	.417	.688-.669
C-15SS	7/16-14	U	1	9/16	5/32	.481	.750-.728
CN-20SS	1/2-13	27/64	1-1/8	11/16	5/32	.543	.875-.850
CN-3OSS	5/8-11	17/32	1-3/8	13/16	3/16	.669	1.062-1.031
CN-40SS	3/4-10	21/32	1-5/8	1	1/4	.806	1.250-1.212
CN-50SS	7/8-9	49/64	1-3/4	1-1/8	1/4	.930	1.438-1.394
CN-60SS	1-8	7/8	2	1-1/4	1/4	1.057	1.625-1.575
CN-70SS	1-1/8-7	63/64	2-1/4	1-1/4	1/4	1.190	1.812-1.756
CN-80SS	1-1/4-7	1-7/64	2-1/4	1-1/4	1/4	1.315	1.812-1.756
CN-100SS	1/4-28	#3	5/8	5/16	3/32	.279	.500-.488
CN-105SS	5/16-24	I	3/4	3/8	3/32	.346	.562-.546
CN-110SS	3/8-24	Q	7/8	1/2	1/8	.406	.688-.669
CN-115SS	7/16-20	25/64	1	9/16	5/32	.476	.750-.728
CN-120SS	1/2-20	29/64	1-1/8	11/16	5/32	.538	.875-.850
CN-130SS	5/8-18	37/64	1-3/8	13/16	3/16	.670	1.062-1.031
CN-140SS	3/4-16	11/16	1-5/8	1	1/4	.789	1.250-1.212
CN-150SS	7/8-14	13/16	1-3/4	1-1/8	1/4	.925	1.438-1.394
CN-160SS	1-14	15/16	2	1-1/4	1/4	1.050	1.625-1.575
CN-170SS	1-1/8-12	1-11/64	2-1/4	1-1/4	1/4	1.175	1.812-1.756
CN-180SS	1-1/4-12	1-11/64	2-1/4	1-1/4	1/4	1.300	1.812-1.756

6.About our company

Steel Flange Nuts are one of our products, We also have a wide variety of products and different materials for you to choose from. If you are not satisfied with our products or have any questions, please feel free to contact us. We will formulate a satisfactory. We have a deep focus on the quality, delivery and operational performance of all the products we deliver. We specialize in the production of precision fasteners, and We are committed to providing impeccable quality products at relatively



www.friendenprecision.com

lower prices than our peers to meet the needs of different customers. Look forward to working with you.



Tel:+86-574-86961300

Email:chellen@frienden-precision.com