

Stainless Steel Dowel Pin

Stainless Steel Dowel Pins are made of stainless steel, which is almost as strong as steel, but will not rust in outdoor or washdown environments. As a company that produces precision fasteners in China, we have sophisticated equipment and professional testing machines. At the same time, our prices are very beautiful, and we treat every customer with a serious and responsible attitude.



1.Product Introduction

Stainless Steel Dowel Pins made of stainless steel have good corrosion resistance and may be slightly magnetic, so they will not rust in wet environments and can also be washed with water, in addition to that, Stainless Steel Dowel Pins are also very of sturdiness.

2.Product Parameter

Product Name	Stainless Steel Dowel Pin
Material	Stainless Steel
Surface Treatment	Knurled, Plating etc.
Package	Plastic bag and carton
Used	Building industry machinery etc.

3.Product features and applications

Our Stainless Steel Dowel Pins are very strong and ideal for indoor and outdoor use, this stainless steel is superior to ordinary steel and offers excellent rust resistance, excellent resistance to chemicals and salt water. Stainless Steel Dowel Pins are widely used for precise positioning, fixing the position of components.

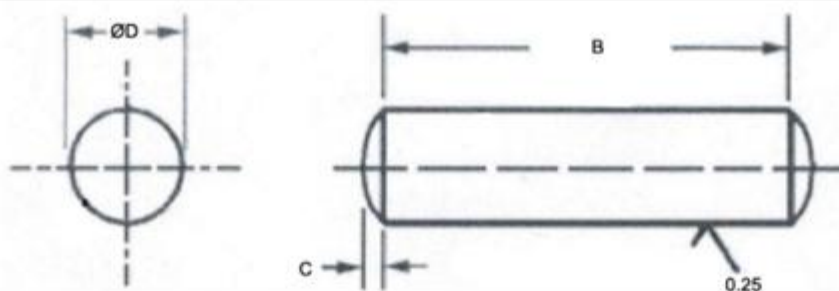
4.Product Details

Below is the detailed picture introduction of our product Stainless Steel Dowel Pins. The images shown are representative of the product. In addition, we also have products of various sizes and materials for you to choose from.



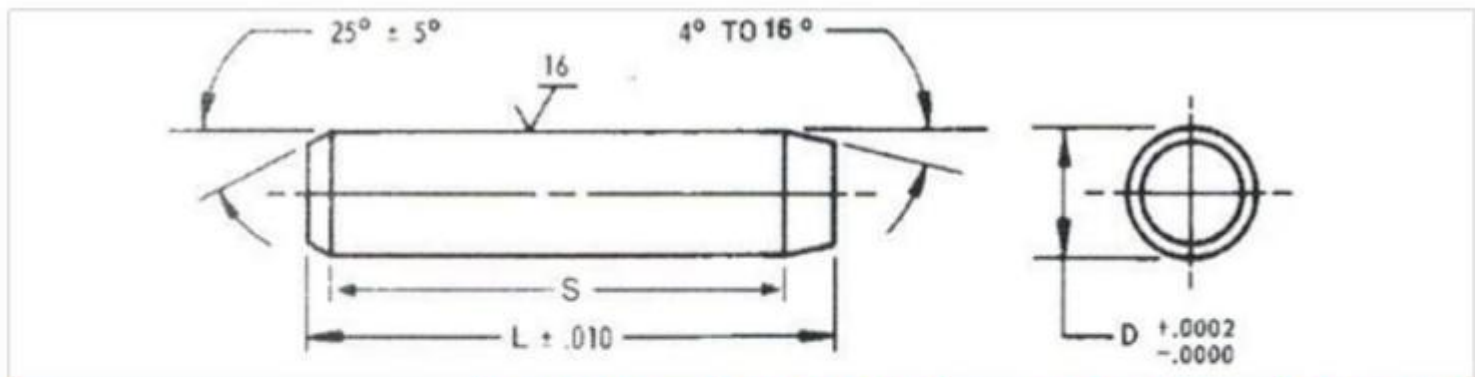
5.Product Size Chart

The following is the detailed size and material drawing of our product. You can customize it according to your needs. We produce high-quality products according to industry standards. If you have any questions, please feel free to contact us and look forward to cooperating with you.



B	$\text{ØD}=1$ +0.009 +0.002	$\text{ØD}=1.5$ +0.009 +0.002	$\text{ØD}=2$ +0.009 +0.002	$\text{ØD}=2.5$ +0.009 +0.002
	C=0.15	C=0.23	C=0.30	C=0.40
	STOCK NO.	STOCK NO.	STOCK NO.	STOCK NO.
3	D10M-1	—	—	—
4	D10M-2	D15M-2	D20M-2	D25M-2
5	D10M-3	D15M-3	D20M-3	D25M-3
6	D10M-4	D15M-4	D20M-4	D25M-4
8	D10M-5	D15M-5	D20M-5	D25M-5
10	D10M-6	D15M-6	D20M-6	D25M-6
12	D10M-7	D15M-7	D20M-7	D25M-7
14	D10M-8	D15M-8	D20M-8	D25M-8
16	D10M-9	D15M-9	D20M-9	D25M-9
18	D10M-10	D15M-10	D20M-10	D25M-10
20	D10M-11	D15M-11	D20M-11	D25M-11
24	D10M-12	D15M-12	D20M-12	D25M-12
B	$\text{ØD}=3$ +0.012 +0.004	$\text{ØD}=4$ +0.014 +0.004	$\text{ØD}=5$ +0.012 +0.004	$\text{ØD}=6$ +0.015 +0.006
	C=0.45	C=0.63	C=0.75	C=0.90
	STOCK NO.	STOCK NO.	STOCK NO.	STOCK NO.
4	D30M-1	—	—	—
5	D30M-2	D40M-2	D50M-2	—
6	D30M-3	D40M-3	D50M-3	D60M-3
8	D30M-4	D40M-4	D50M-4	D60M-4
10	D30M-5	D40M-5	D50M-5	D60M-5
12	D30M-6	D40M-6	D50M-6	D60M-6
14	D30M-7	D40M-7	D50M-7	D60M-7
16	D30M-8	D40M-8	D50M-8	D60M-8
18	D30M-9	D40M-9	D50M-9	D60M-9
20	D30M-10	D40M-10	D50M-10	D60M-10
24	D30M-11	D40M-11	D50M-11	D60M-11
28	D30M-12	D40M-12	D50M-12	D60M-12
B	$\text{ØD}=8$ +0.015 +0.006	$\text{ØD}=10$ +0.015 +0.009	$\text{ØD}=12$ +0.018 +0.007	
	C=1.20	C=1.50	C=1.80	
	STOCK NO.	STOCK NO.	STOCK NO.	
12	D80M-1			
14	D80M-2	D100M-2	—	
16	D80M-3	D100M-3	—	
18	D80M-4	D100M-4	D120M-4	
20	D80M-5	D100M-5	D120M-5	
24	D80M-6	D100M-6	D120M-6	
28	D80M-7	D100M-7	D120M-7	
32	D80M-8	D100M-8	D120M-8	
36	—	D100M-9	D120M-9	
40	—	D100M-10	D120M-10	
50	—	—	D120M-11	

round at both ends 2/1



L	1/16 Dia. Pin D = .0626 Part No.	3/32 Dia. Pin D = .0939 Part No.	1/8 Dia. Pin D = .1251 Part No.	5/32 Dia. Pin D = .1563 Part No.
3/16	D15-187	D16-187	—	—
1/4	D15-250	D16-250	D17-250	—
5/16	D15-312	D16-312	D17-312	—
3/8	D15-375	D16-375	D17-375	D18-375
7/16	D15-437	D16-437	D17-437	D18-437
1/2	D15-500	D16-500	D17-500	D18-500
5/8	D15-625	D16-625	D17-625	D18-625
3/4	D15-750	D16-750	D17-750	D18-750
7/8	D15-875	D16-875	D17-875	D18-875
1	D15-1000	D16-1000	D17-1000	D18-1000
L	3/16 Dia. Pin D = .1876 Part No.	1/4 Dia. Pin D = .2501 Part No.	5/16 Dia. Pin D = .3126 Part No.	3/8 Dia. Pin D = .3751 Part No.
3/8	D19-375	—	—	—
1/2	D19-500	D20-500	—	—
5/8	D19-625	D20-625	—	—
3/4	D19-750	D20-750	D21-750	D22-750
1	D19-1000	D20-1000	D21-1000	D22-1000
1-1/4	D19-1250	D20-1250	D21-1250	D22-1250
1-1/2	—	D20-1500	D21-1500	D22-1500

flat at both ends 2/2

6.About our company

The Stainless Steel Dowel Pin is just one of our many products. Our company specializes in the production of precision fasteners and has perfect product quality testing and control capabilities. We have been adhering to the service concept of "integrity, sincerity, and integrity", adhering to the environmental protection spirit of green production and green regeneration.

