

Cylindrical Dowel Pin

Cylindrical Dowel Pins are short solid cylindrical rods used as fasteners to connect and position two or more parts, shafts, hinges, clamps and fixtures of machine tools. Besides, our company also produces other precision fasteners of different types and materials. Our price is excellent and the quality is excellent, and we look forward to becoming your long-term partner in China.



1.Product Introduction

Cylindrical Dowel Pins are short solid cylindrical rods used as fasteners where a dowel pin passes through concentric holes in two parts during the joining process of the parts. To snugly fit the Cylindrical Dowel Pin, your hole should be equal to or slightly smaller than the diameter shown.

2.Product Parameter

Product Name	Cylindrical Dowel Pin
Material	Alloy, Stainless steel etc.
Surface Treatment	Knurled, Plating etc.
Package	Plastic bag and carton
Used	Building industry machinery etc.

3.Product features and applications

Cylindrical Dowel Pins of different materials have different strengths. In general, these Cylindrical Dowel Pins have a very smooth surface, anti-rust, anti-corrosion, strong and durable, and have a long service life. They are widely used in stamping tools, jigs and fixtures.

4.Product Details

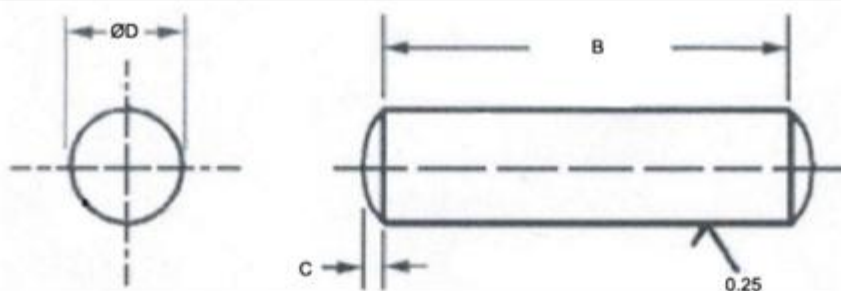
Below is the detailed picture introduction of our product Cylindrical Dowel Pins.

The images shown are representative of the product. In addition, we also have products of various sizes and materials for you to choose from.



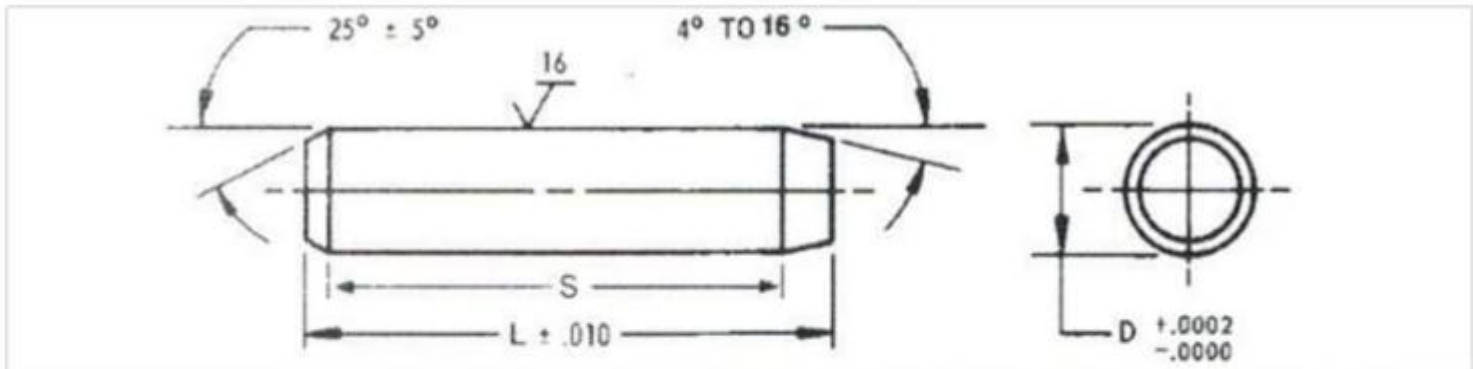
5.Product Size Chart

The following is the detailed size and material drawing of our product. You can customize it according to your needs. We produce high-quality products according to industry standards. If you have any questions, please feel free to contact us and look forward to cooperating with you.



B	$\varnothing D=1$ +0.009 +0.002	$\varnothing D=1.5$ +0.009 +0.002	$\varnothing D=2$ +0.009 +0.002	$\varnothing D=2.5$ +0.009 +0.002
	C=0.15	C=0.23	C=0.30	C=0.40
	STOCK NO.	STOCK NO.	STOCK NO.	STOCK NO.
3	D10M-1	—	—	—
4	D10M-2	D15M-2	D20M-2	D25M-2
5	D10M-3	D15M-3	D20M-3	D25M-3
6	D10M-4	D15M-4	D20M-4	D25M-4
8	D10M-5	D15M-5	D20M-5	D25M-5
10	D10M-6	D15M-6	D20M-6	D25M-6
12	D10M-7	D15M-7	D20M-7	D25M-7
14	D10M-8	D15M-8	D20M-8	D25M-8
16	D10M-9	D15M-9	D20M-9	D25M-9
18	D10M-10	D15M-10	D20M-10	D25M-10
20	D10M-11	D15M-11	D20M-11	D25M-11
24	D10M-12	D15M-12	D20M-12	D25M-12
B	$\varnothing D=3$ +0.012 +0.004	$\varnothing D=4$ +0.014 +0.004	$\varnothing D=5$ +0.012 +0.004	$\varnothing D=6$ +0.015 +0.006
	C=0.45	C=0.63	C=0.75	C=0.90
	STOCK NO.	STOCK NO.	STOCK NO.	STOCK NO.
4	D30M-1	—	—	—
5	D30M-2	D40M-2	D50M-2	—
6	D30M-3	D40M-3	D50M-3	D60M-3
8	D30M-4	D40M-4	D50M-4	D60M-4
10	D30M-5	D40M-5	D50M-5	D60M-5
12	D30M-6	D40M-6	D50M-6	D60M-6
14	D30M-7	D40M-7	D50M-7	D60M-7
16	D30M-8	D40M-8	D50M-8	D60M-8
18	D30M-9	D40M-9	D50M-9	D60M-9
20	D30M-10	D40M-10	D50M-10	D60M-10
24	D30M-11	D40M-11	D50M-11	D60M-11
28	D30M-12	D40M-12	D50M-12	D60M-12
B	$\varnothing D=8$ +0.015 +0.006	$\varnothing D=10$ +0.015 +0.009	$\varnothing D=12$ +0.018 +0.007	
	C=1.20	C=1.50	C=1.80	
	STOCK NO.	STOCK NO.	STOCK NO.	
12	D80M-1	—	—	
14	D80M-2	D100M-2	—	
16	D80M-3	D100M-3	—	
18	D80M-4	D100M-4	D120M-4	
20	D80M-5	D100M-5	D120M-5	
24	D80M-6	D100M-6	D120M-6	
28	D80M-7	D100M-7	D120M-7	
32	D80M-8	D100M-8	D120M-8	
36	—	D100M-9	D120M-9	
40	—	D100M-10	D120M-10	
50	—	—	D120M-11	

round at both ends 2/1



L	1/16 Dia. Pin D = .0626 Part No.	3/32 Dia. Pin D = .0939 Part No.	1/8 Dia. Pin D = .1251 Part No.	5/32 Dia. Pin D = .1563 Part No.
3/16	D15-187	D16-187	—	—
1/4	D15-250	D16-250	D17-250	—
5/16	D15-312	D16-312	D17-312	—
3/8	D15-375	D16-375	D17-375	D18-375
7/16	D15-437	D16-437	D17-437	D18-437
1/2	D15-500	D16-500	D17-500	D18-500
5/8	D15-625	D16-625	D17-625	D18-625
3/4	D15-750	D16-750	D17-750	D18-750
7/8	D15-875	D16-875	D17-875	D18-875
1	D15-1000	D16-1000	D17-1000	D18-1000
L	3/16 Dia. Pin D = .1876 Part No.	1/4 Dia. Pin D = .2501 Part No.	5/16 Dia. Pin D = .3126 Part No.	3/8 Dia. Pin D = .3751 Part No.
3/8	D19-375	—	—	—
1/2	D19-500	D20-500	—	—
5/8	D19-625	D20-625	—	—
3/4	D19-750	D20-750	D21-750	D22-750
1	D19-1000	D20-1000	D21-1000	D22-1000
1-1/4	D19-1250	D20-1250	D21-1250	D22-1250
1-1/2	—	D20-1500	D21-1500	D22-1500

lat at both ends 2/2

6 About our company



www.friendenprecision.com

We are a factory located in Ningbo, China, specializing in the production of Cylindrical Dowel Pins. We offer a wide range of high quality Shoulder Screws in common sizes at attractive prices. All items listed are available and your order will be shipped by us immediately. If you have any questions, please feel free to email us or contact us via our contact form.



Tel:+86-574-86961300

Email:chellen@frienden-precision.com