

Captive Thumb Screw



Captive Thumb Screws are very handy hand screws for threaded holes or with nuts and washers (not included). We are a company specializing in precision fasteners, we have a wide variety of products and different materials for you to choose from. These products are of high quality and low price, and hope to become your long-term partner in China.

1.Product Introduction

Captive Thumb Screws have wide, flat heads and are very easy to hand-operate screws, ideal for applications that may require frequent hand-adjusting screws, easy to operate and durable. In addition to the standard Captive Thumb Screws, we can customize this screw in a variety of sizes and materials.

2.Product Parameter

Product Name	Captive Thumb Screw
Material	Alloy, Stainless steel etc.
Surface Treatment	Knurled, Plating etc.
Package	Plastic bag and carton
Used	Building industry machinery etc.

3.Product features and applications

Captive Thumb Screws are ideal for machine-made instruments that may require frequent manual screw adjustment. We paid close attention to the details of the quality and it has a bright and clean look without any burrs. Length is measured from head down. Captive Thumb Screws are resistant to corrosion in wet environments.

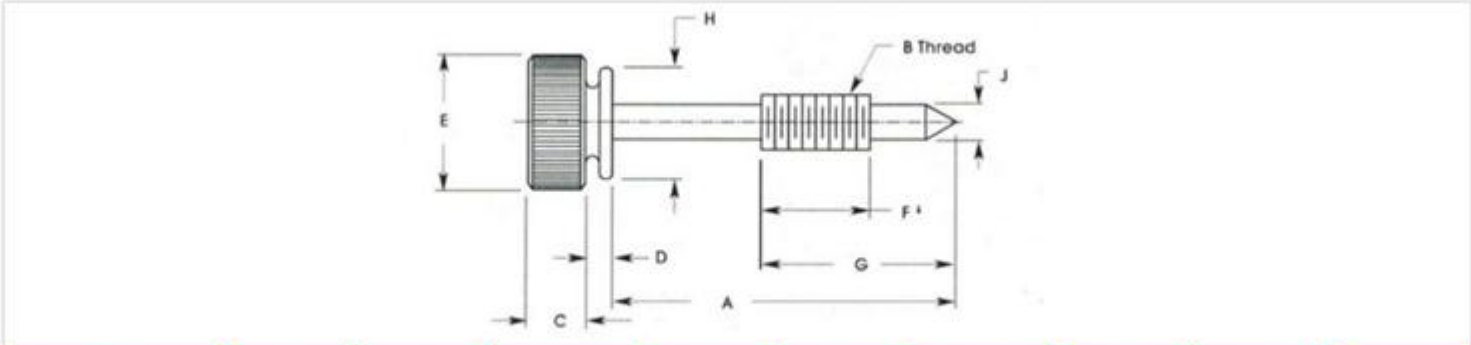
4.Product Details

Below is the detailed picture introduction of our product Captive Thumb Screw.



5.Product Size Chart

The following is the detailed size and material drawing of our product. You can customize it according to your needs. We produce high-quality products according to industry standards. If you have any questions, please feel free to contact us and look forward to cooperating with you.



CATALOG NUMBER	A	B	C	D	E	F	G	H	J
EH23-1	3/4	#6-32	1/8	1/16	5/16	3/16	5/16	0.2	0.09
EH23-2	3/4	#8-32	3/16	1/16	5/8	1/4	3/8	1/2	.12
EH23-3	7/8	#8-32							.12
EH23-4	7/8	#10-32							.12
EH23-5	1	#10-32							.12
EH23-6	7/8	#12-24							.18
EH23-7	7/8	1/4-20							.18
EH23-8	1	1/4-20							.18
EH23-9	1	1/4-20							.18
EH23-10	1-1/8	1/4-20	1/4	1/8	3/4	3/8	5/8	1/2	.18

6.About our company

The Captive Thumb Screw is just one of our many products. Our company specializes in the production of precision fasteners and has perfect product quality testing and control capabilities. We have been adhering to the service concept of "integrity, sincerity, and integrity", adhering to the environmental protection spirit of green production and green regeneration.

