

Alloy Dowel Pin

Alloy Dowel Pins are made of alloy steel, strong and wear resistant. As a company that produces precision fasteners in China, we have sophisticated equipment and professional testing machines. At the same time, our prices are very beautiful, and we treat every customer with a serious and responsible attitude.



1.Product Introduction

Hardened and precision-formed Alloy Dowel Pins are used to keep machine parts aligned accurately; they also serve as positioning guides for adjacent machine parts and keep the two parts of the punch and die aligned.

2.Product Parameter

Product Name	Knurled Dowel Pin
Material	Alloy
Surface Treatment	Knurled, Plating etc.
Package	Plastic bag and carton
Used	Building industry machinery etc.

3.Product features and applications

Durable and functional, Alloy Dowel Pins are commonly used to build, assemble, and repair bunk beds, tables (and their inserts), folding trays, and more. Alloy Dowel Pins are hard and ultra-precise engineered, they are essential for calibrating your machine and can be used effectively as pivots, hinges, plug gauges, shafts and more.

4.Product Details

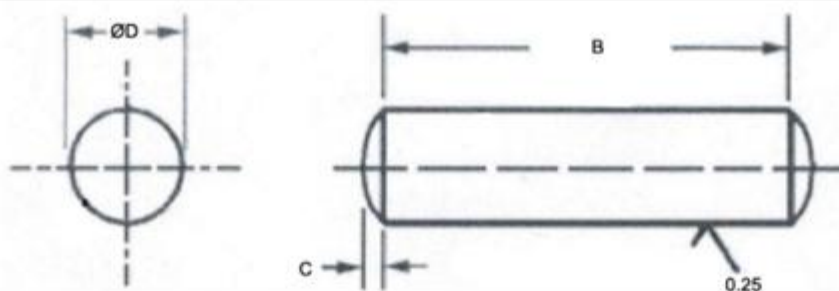
Below is the detailed picture introduction of our product Alloy Dowel Pins.

The images shown are representative of the product. In addition, we also have products of various sizes and materials for you to choose from.



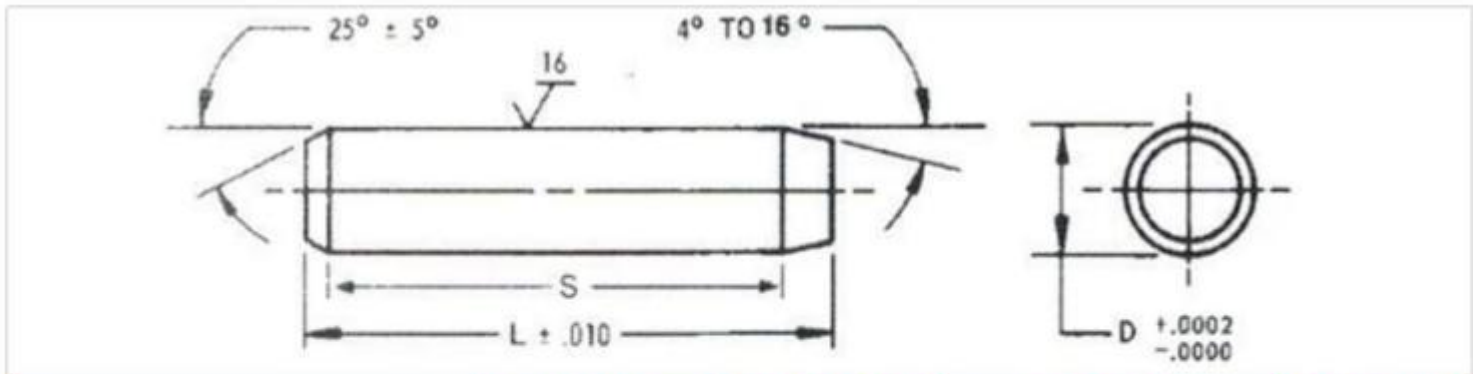
5.Product Size Chart

The following is the detailed size and material drawing of our product. You can customize it according to your needs. We produce high-quality products according to industry standards. If you have any questions, please feel free to contact us and look forward to cooperating with you.



B	$\text{ØD}=1$ +0.009 +0.002	$\text{ØD}=1.5$ +0.009 +0.002	$\text{ØD}=2$ +0.009 +0.002	$\text{ØD}=2.5$ +0.009 +0.002
	C=0.15	C=0.23	C=0.30	C=0.40
	STOCK NO.	STOCK NO.	STOCK NO.	STOCK NO.
3	D10M-1	—	—	—
4	D10M-2	D15M-2	D20M-2	D25M-2
5	D10M-3	D15M-3	D20M-3	D25M-3
6	D10M-4	D15M-4	D20M-4	D25M-4
8	D10M-5	D15M-5	D20M-5	D25M-5
10	D10M-6	D15M-6	D20M-6	D25M-6
12	D10M-7	D15M-7	D20M-7	D25M-7
14	D10M-8	D15M-8	D20M-8	D25M-8
16	D10M-9	D15M-9	D20M-9	D25M-9
18	D10M-10	D15M-10	D20M-10	D25M-10
20	D10M-11	D15M-11	D20M-11	D25M-11
24	D10M-12	D15M-12	D20M-12	D25M-12
B	$\text{ØD}=3$ +0.012 +0.004	$\text{ØD}=4$ +0.014 +0.004	$\text{ØD}=5$ +0.012 +0.004	$\text{ØD}=6$ +0.015 +0.006
	C=0.45	C=0.63	C=0.75	C=0.90
	STOCK NO.	STOCK NO.	STOCK NO.	STOCK NO.
4	D30M-1	—	—	—
5	D30M-2	D40M-2	D50M-2	—
6	D30M-3	D40M-3	D50M-3	D60M-3
8	D30M-4	D40M-4	D50M-4	D60M-4
10	D30M-5	D40M-5	D50M-5	D60M-5
12	D30M-6	D40M-6	D50M-6	D60M-6
14	D30M-7	D40M-7	D50M-7	D60M-7
16	D30M-8	D40M-8	D50M-8	D60M-8
18	D30M-9	D40M-9	D50M-9	D60M-9
20	D30M-10	D40M-10	D50M-10	D60M-10
24	D30M-11	D40M-11	D50M-11	D60M-11
28	D30M-12	D40M-12	D50M-12	D60M-12
B	$\text{ØD}=8$ +0.015 +0.006	$\text{ØD}=10$ +0.015 +0.009	$\text{ØD}=12$ +0.018 +0.007	
	C=1.20	C=1.50	C=1.80	
	STOCK NO.	STOCK NO.	STOCK NO.	
12	D80M-1			
14	D80M-2	D100M-2	—	
16	D80M-3	D100M-3	—	
18	D80M-4	D100M-4	D120M-4	
20	D80M-5	D100M-5	D120M-5	
24	D80M-6	D100M-6	D120M-6	
28	D80M-7	D100M-7	D120M-7	
32	D80M-8	D100M-8	D120M-8	
36	—	D100M-9	D120M-9	
40	—	D100M-10	D120M-10	
50	—	—	D120M-11	

round at both ends 2/1



L	1/16 Dia. Pin D = .0626 Part No.	3/32 Dia. Pin D = .0939 Part No.	1/8 Dia. Pin D = .1251 Part No.	5/32 Dia. Pin D = .1563 Part No.
3/16	D15-187	D16-187	—	—
1/4	D15-250	D16-250	D17-250	—
5/16	D15-312	D16-312	D17-312	—
3/8	D15-375	D16-375	D17-375	D18-375
7/16	D15-437	D16-437	D17-437	D18-437
1/2	D15-500	D16-500	D17-500	D18-500
5/8	D15-625	D16-625	D17-625	D18-625
3/4	D15-750	D16-750	D17-750	D18-750
7/8	D15-875	D16-875	D17-875	D18-875
1	D15-1000	D16-1000	D17-1000	D18-1000
L	3/16 Dia. Pin D = .1876 Part No.	1/4 Dia. Pin D = .2501 Part No.	5/16 Dia. Pin D = .3126 Part No.	3/8 Dia. Pin D = .3751 Part No.
3/8	D19-375	—	—	—
1/2	D19-500	D20-500	—	—
5/8	D19-625	D20-625	—	—
3/4	D19-750	D20-750	D21-750	D22-750
1	D19-1000	D20-1000	D21-1000	D22-1000
1-1/4	D19-1250	D20-1250	D21-1250	D22-1250
1-1/2	—	D20-1500	D21-1500	D22-1500

flat at both ends 2/2

6.About our company

Alloy Dowel Pins are one of our products, We also have a wide variety of products and different materials for you to choose from. We specialize in the production of precision fasteners, and have complete product quality testing and control capabilities, including professional testing equipment such as Zeiss and Mitutoyo, to ensure that we provide customers with high-quality products. We specialize in the production of precision fasteners, and have complete product quality. Look forward to working with you.

