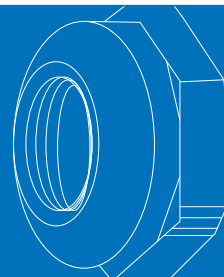




吉祥连接器
JIXIANG CONNECTOR

Stainless Steel Waterproof
Cable Gland

□ Stainless steel Metric Thread type



Material: Stainless steel 304/316

Claw: PA

Sealing and sealing ring: NBR

Approvals: IP68、ISO9000、TUV

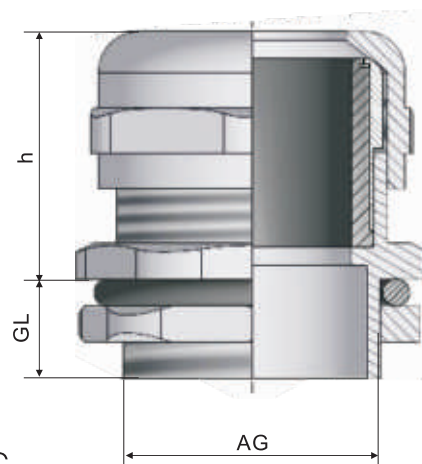
Protection degree: IP68

Color: Metallic color

Temperature Resistance: -40°C to 100°C , short time to 120°C .

Function: Extremely easy installation, simply insert cable through the assembled gland and tighten gland locknut until cable is secured. these cable glands are designed to withstand water, dust, salt, acid-base, alcohol, oil and common solvent.

Notes: Customization is available.

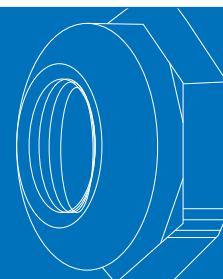




吉祥连接器
JIXIANG CONNECTOR

Stainless Steel Waterproof
Cable Gland

□ Stainless steel Metric Thread type



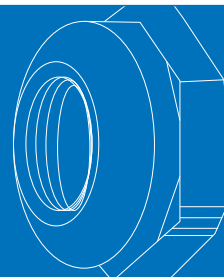
Code	Item	Cable range (mm)	Thread O.D (mm)	Mounting Hole diameter (mm)	Thread length GL (mm)	Joint length h (mm)	(mm) Spanner size
JX-M8-SS	M8×1	5.5-2	8	8-8.2	5	16	12
JX-M10-SS	M10×1	6.5-3	10	10-10.2	7	19	14
JX-M12-SS	M12×1.5	6.5-3	12	12-12.2	7	19	14
JX-M14-SS	M14×1.5	8-4	14	14-14.2	7	19	17
JX-M16-SS	M16×1.5	8-4	16	16-16.2	8	20	18
JX-M18-SS	M18×1.5	10-5	18	18-18.2	8	21	20
JX-M20-SS	M20×1.5	12-6	20	20-20.2	8	22	22
JX-M22-SS	M22×1.5	14-10	22	22-22.2	8	23	24
JX-M24-SS	M24×1.5	14-10	24	24-24.2	9	25	24/27
JX-M25A-SS	M25×1.5	14-10	25	25-25.2	9	25	24/27
JX-M25B-SS	M25×1.5	16-8	25	25-25.2	9	27	27
JX-M25C-SS	M25×1.5	18-13	25	25-25.2	9	27	30/27
JX-M27A-SS	M27×1.5	18-13	27	27-27.2	9	27	30
JX-M27B-SS	M27×2	18-13	27	27-27.2	9	27	30
JX-M28A-SS	M28×1.5	18-13	28	28-28.2	9	27	30
JX-M28B-SS	M28×2	18-13	28	28-28.2	9	27	30
JX-M30A-SS	M30×1.5	18-13	30	30-30.2	9	29	30/32
JX-M30B-SS	M30×2	18-13	30	30-30.2	9	29	30/32
JX-M32A-SS	M32×1.5	22-15	32	32-32.2	10	29	35
JX-M32B-SS	M32×1.5	20-16	32	32-32.2	10	29	35
JX-M32C-SS	M32×2	22-15	32	32-32.2	10	29	35
JX-M33A-SS	M33×1.5	22-15	33	33-33.2	10	29	35
JX-M33B-SS	M33×2	22-15	33	33-33.2	10	29	35
JX-M36A-SS	M36×1.5	25-18	36	36-36.2	10	31	40
JX-M36B-SS	M36×2	25-18	36	36-36.2	10	31	40
JX-M37A-SS	M37×1.5	25-18	37	37-37.2	10	31	40
JX-M37B-SS	M37×2	25-18	37	37-37.2	10	31	40
JX-M40A-SS	M40×1.5	25-18	40	40-40.2	11	31	40/45
JX-M40B-SS	M40×2	25-18	40	40-40.2	11	31	40/45
JX-M40C-SS	M40×1.5	30-22	40	40-40.2	11	35	45
JX-M40D-SS	M40×2	30-22	40	40-40.2	11	35	45
JX-M42A-SS	M42×1.5	30-22	42	42-42.2	11	35	45
JX-M42B-SS	M42×2	30-22	42	42-42.2	11	35	45
JX-M47A-SS	M47×1.5	33-25	47	47-47.2	11	37	50
JX-M47B-SS	M47×2	33-25	47	47-47.2	11	37	50
JX-M48A-SS	M48×1.5	33-25	48	48-48.2	11	37	50/52
JX-M48B-SS	M48×2	33-25	48	48-48.2	11	37	50/52
JX-M50A-SS	M50×1.5	38-32	50	50-50.2	12	37	50/55
JX-M50B-SS	M50×2	38-32	50	50-50.2	12	37	50/55
JX-M54A-SS	M54×1.5	38-32	54	54-54.2	12	38	57
JX-M54B-SS	M54×2	38-32	54	54-54.2	12	38	57
JX-M56A-SS	M56×1.5	38-32	56	56-56.2	12	38	57/59
JX-M56B-SS	M56×2	38-32	56	56-56.2	12	38	57/59
JX-M60A-SS	M60×1.5	44-37	60	60-60.2	13	38	64
JX-M60B-SS	M60×2	44-37	60	60-60.2	13	38	64
JX-M63A-SS	M63×1.5	44-37	63	63-63.2	13	38	64/68
JX-M63B-SS	M63×2	44-37	63	63-63.2	13	38	64/68
JX-M64A-SS	M64×1.5	44-37	64	64-64.2	13	38	64/68
JX-M64B-SS	M64×2	44-37	64	64-64.2	13	38	64/68
JX-M72-SS	M72×2	52-42	72	72-72.2	15	42	78
JX-M75-SS	M75×2	52-42	75	75-75.2	15	42	78
JX-M80-SS	M80×2	62-50	80	80-80.2	15	45	86/88
JX-M88-SS	M88×2	70-60	88	88-88.2	15	45	98
JX-M100-SS	M100×2	80-70	100	100-100.2	15	45	110



吉祥连接器
JIXIANG CONNECTOR

Stainless Steel Waterproof
Cable Gland

□ Stainless steel PG thread type



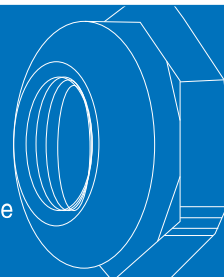
Code	Thread AG	Cable range (mm)	Thread O.D.(mm)	Mounting Hole diameter (mm)	Thread length GL(mm)	Joint length J(mm)	Spanner size (mm)
JX-PG7A-SS	PG7	6.5-3	12.5	12.5-12.7	7	19	14
JX-PG7B-SS	PG7	5-2	12.5	12.5-12.7	7	19	14
JX-PG9A-SS	PG9	8-4	15.2	15.2-15.4	8	20	17
JX-PG9B-SS	PG9	6-2	15.2	15.2-15.4	8	20	17
JX-PG11A-SS	PG11	10-5	18.6	18.6-18.8	8	21	20/21
JX-PG11B-SS	PG11	7-3	18.6	18.6-18.8	8	21	20/21
JX-PG13.5A-SS	PG13.5	12-6	20.4	20.4-20.6	8	22	22
JX-PG13.5B-SS	PG13.5	9-5	20.4	20.4-20.6	8	22	22
JX-PG16A-SS	PG16	14-10	22.5	22.5-22.7	9	23	24
JX-PG16B-SS	PG16	12-6	22.5	22.5-22.7	9	23	24
JX-PG19A-SS	PG19	14-10	25	25-25.2	9	25	24/27
JX-PG19B-SS	PG19	16-8	25	25-25.2	9	25	27
JX-PG21A-SS	PG21	18-13	28.3	28.3-28.5	9	27	30
JX-PG21B-SS	PG21	16-9	28.3	28.3-28.5	9	27	30
JX-PG25A-SS	PG25	22-15	32	32-32.2	10	29	35
JX-PG25B-SS	PG25	20-16	32	32-32.2	10	29	35
JX-PG29A-SS	PG29	25-18	37	37-37.2	11	31	40
JX-PG29B-SS	PG29	20-13	37	37-37.2	11	31	40
JX-PG36A-SS	PG36	33-25	47	47-47.2	12	37	50
JX-PG36B-SS	PG36	26-20	47	47-47.2	12	37	50
JX-PG42A-SS	PG42	38-32	54	54-54.2	13	38	57
JX-PG42B-SS	PG42	31-25	54	54-54.2	13	38	57
JX-PG48A-SS	PG48	44-37	59.3	59.3-59.5	14	38	64
JX-PG48B-SS	PG48	35-29	59.3	59.3-59.5	14	38	64
JX-PG63-SS	PG63	52-42	72	72-72.2	15	42	77



吉祥连接器
JIXIANG CONNECTOR

Stainless Steel Waterproof Cable Gland

□ Stainless steel G Thread type, NPT thread type



Code	Thread AG	Cable range (mm)	Thread O.D.(mm)	Thread no. Per incJ	Thread length GL(mm)	Joint length J(mm)	Spanner size(mm)
JX-G1/4-SS	G1/4	6.5-3	13.1	19	7	19	14
JX-G3/8-SS	G3/8	8-4	16.6	19	8	19	18
JX-G1/2-SS	G1/2	12-6	20.9	14	8	22	22
JX-G3/4-SS	G3/4	18-13	26.4	14	9	25	30
JX-G1-SS	G1	25-18	33.2	11	11	29	40
JX-G1-1/4-SS	G1-1/4	33-25	41.9	11	13	35	50
JX-G1-1/2-SS	G1-1/2	38-32	47.8	11	14	37	57
JX-G2-SS	G2	44-37	59.6	11	14	38	64
JX-G2-1/2-SS	G2-1/2	52-42	75.1	11	15	38	77
JX-G3-SS	G3	70-65	87.8	11	15	48	94
JX-NPT1/4-SS	NPT1/4	6.5-3	13.6	18	7	19	14
JX-NPT3/8-SS	NPT3/8	8-4	17	18	8	19	18
JX-NPT1/2-SS	NPT1/2	12-6	21.2	14	8	22	22
JX-NPT3/4-SS	NPT3/4	18-13	26.5	14	9	25	30
JX-NPT1-SS	NPT1	25-18	33.2	11.5	11	29	40
JX-NPT1-1/4-SS	NPT1-1/4	33-25	41.9	11.5	13	35	50
JX-NPT1-1/2-SS	NPT1-1/2	38-32	48	11.5	14	37	57
JX-NPT2-SS	NPT2	44-37	60	11.5	14	38	64
JX-NPT2-1/2-SS	NPT2-1/2	52-42	72.6	8	15	38	77
JX-NPT3-SS	NPT3	70-65	88.6	8	15	45	94