



Multiple Hole Nylon Cable Glands



JIXIANG CONNECTOR® Multiple hole nylon cable glands metric thread for sealing multiple wires through a single cable gland. Save space by limiting the number of cord grips used for entry into your enclosure, panel or combiner box. Jixiang is a professional manufacturer from China, provide multiple hole nylon cable glands, it used for 2-8 cord cables. Welcome to contact us directly!

Product Description

You are welcomed to come to our factory to buy the latest selling, low price, and high-quality JIXIANG CONNECTOR® Multiple Hole Nylon Cable Glands. We look forward to cooperating with you. We have the distinct advantage that each and every employee is personally responsible for the company's success. Everything we do is infused with pride of ownership and pride in a job well done.

High Quality Multiple Hole Nylon Cable Glands Metric Thread

What are Multiple Hole Nylon Cable Glands ?

Jixiang Multiple hole nylon cable glands also known as Multi-hole Cord Grips, is a multi-hole strain reliefs that can fulfill the highest demands of quality and security.

JIXIANG CONNECTOR® Multiple hole nylon cable glands metric thread for sealing multiple wires through a single cable gland.

Save space by limiting the number of cord grips used for entry into your enclosure, panel or combiner box.

Multiple Hole Nylon Cable Glands Parameter (Specification)

AG item	Flat (mm)	2 holes (mm)	3 holes (mm)	4 holes (mm)	5 holes (mm)	6 holes (mm)	7 holes (mm)	8 holes (mm)
M12x1.5	/	3-1.2	2.6-1.2	2.3-1	/	/	/	/
M16x1.5	/	4-1.6	2.6-1.2	2.3-1	2.5-1	2-1	/	/

M18x1.5	6x10	3.5-2	4-1.6	3-1.2	2.6-1.5	2.2-1	/	/
M20x1.5	5x11.5	5.3-1.5	5-2	4.2-1.7	3-1.2	3-1.2	3-1.2	3-1.2
M22x1.5	6x14	6-2.5	3.5-1.5	4.5-2	/	/	/	/
M25x1.5	6x14	8.7-4	8-4	5-2	3.5-1.5	3.5-1.5	3.5-1.5	3.5-1.5
M27x1.5	7x18	8.7-4.5	5-2	7-3.5	3.5-1.5	3.5-1.5	3.5-1.5	3.5-1.5
M32x1.5	8x22	5-10	10-5	9-4.5	8-4	7-3.5	6-3	/

Feature and Application of Multiple Hole Nylon Cable Glands

Perfect Solution of Save Space

JIXIANG CONNECTOR® Multiple hole nylon cable glands are specifically designed for confined spaces such as electrical panels, or control panels used for manufacturing automation where maneuverability can be difficult.

Multiple hole nylon cable glands with fewer connection points, reduce cable entry footprint size and the number of cord grips and cable glands needed for your specific application. Only one hole needs to be punched in cabinets or panels for lower machining costs.

High protection level

Multiple hole nylon cable glands allow easy insertion and sealing of several cables into one gland while maintaining high levels of ingress protection.

Multiple hole nylon cable glands have excellent flexible, High mechanical strength, Wear resistant, Anti-distortion, Resistant to oil, acid and solvents, Flame-resistant, Waterproof, Weatherproof. Uv-resistant, Insulated, Free on Halogen, Phosphor and cadmium. Light weight and ease of installation.

Complete flexibility

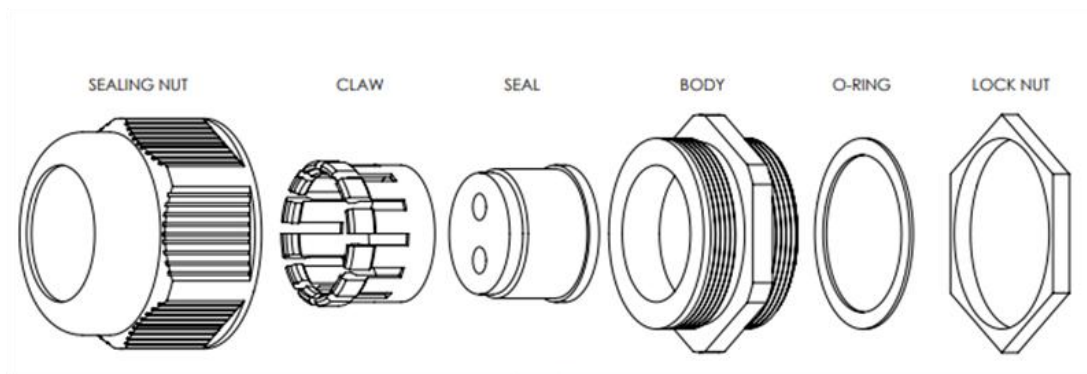
Multiple hole nylon cable glands used for 2-8 core cables, to make sure each wire to get the best waterproof insulation , and not intertwined.

East to assemble

The Multiple hole nylon cable glands no need to disassemble the fixed head, the cable can be directly threaded into the tightening, convenient and convenient.

Simply push the cable through the liquid tight Nylon strain relief & tighten locknut for quick installation

Threads into your panel for clearance, locknut included.



How to install Multiple Hole Nylon Cable Glands?

1. Begin by opening the JIXIANG CONNECTOR® Multiple hole nylon cable glands and detaching the nut
2. Screw the gland body with O-ring into the corresponding thread hole on gland plate.
3. Insert cable to gland body. Adjust sealing nut, claw and seal to correct position.
4. Adjust the cable to make sure the each cable passed the holes in the seal. Manually tighten the sealing nut for temporary fixing.
5. Use a spanner to tighten each gland part until the cable is securely fastened. Double check the cable connection and the position if necessary.

More options: Customization is acceptable. Welcome to inquire



MECHANICAL EQUIPMENT



LIGHTING EQUIPMENT



NEW ENERGY VEHICLE



PHOTOVOLTAIC (PV)



OUTDOOR ADVERTISEMENTS



WHEEL TRANSPORT DOCK

Details of Multiple Hole Nylon Cable Glands

Thread type: Metric Thread

Material: UL approved Nylon PA66
(Flammability UL94V-2 or UL94V-0)

Seal and Washer: EPDM rubber

Approvals: CE, ISO9001

Protection Degree: IP68-10 Bar

Temperature Resistance:

Static: -40°C ~ 100°C, temporary to 120°C

Dynamic: -20°C ~ 80°C, temporary to 100°C

Colours: Black (PAL9005), Gray(PAL7035), other colors available upon request.

Multiple Hole Nylon Cable Glands Qualification

Certificates of multiple hole nylon cable glands: CE,ROHS, REACH, IP68,ISO9001,TUV



Deliver,Shipping And Serving

Delivery of PG Cable Gland Normally 7 working days to 1 month after received the payment.

Jixiang can provide professional service and better price for you. If you interested in multiple hole nylon cable glands, please contact with us.

We follow the quality of rest assured that the price of conscience, dedicated service.

We have achieved remarkable success in this domain as a result of our focused approach, timely delivery, and ethical company philosophy.

Relevant Recommendation

We also provide **Multi hole brass cable gland**

You can click the below image and jump to the product link.

