



X1Y1 & X1Y2 SAFETY CAPACITORS

Safety Standard Certified Ceramic Capacitors

Features

- Ideal for across the line applications
- Compact size
- Cost effective product
- RoHS and Reach Compliant
- Safety standards recognized

Specifications

OPERATING TEMPERATURE RANGE	-40°C TO +125°C
CAPACITANCE RANGE	100pF TO 10000pF
CAPACITANCE TOLERANCE	±10%, ±20%, +80-20%
RATED VLOTAGE	X1Y1: X1 400VAC Y1 400VAC X1Y2 : X1 400VAC Y2 250VAC
TEMPERATURE COFFICIENT	±10% for B (Y5P), +30to-80% for FY (Y5V)
DISSIPATION FACTOR (tanδ)	B: 2.5% max. at 20°C and 1 KHz, 1±0.2Vrms.
INSULATION RESISTANCE AT 20°C	FY: 50max. at 20°C and 1 KHz, 1±0.2 Varms. 10000MΩ at 500VDC for 1 minute.
DIELECTRIC STRENGTH	1500 VAC for 60 seconds. (250VAC) 4000 VAC for 60 seconds. (400VAC)

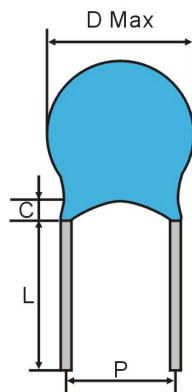


Fig. 1: Straight lead

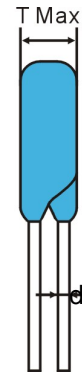
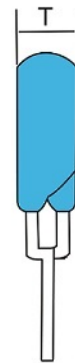


Fig. 2: Y kinked (recommended)



C: 3mm max
 L: 16mm min
 d: 0.7+/-0.05mm

Dimensions

CE Y2 250VAC

X1Y2 : X1 400VAC Y2 250VAC

Capacitance pF	Temp Char	Tol.	Dimension (mm)		
			D max	T max	P±1
100pF~330pF	±10% (Y5P)	±10%	7	5	7.5
470pF			7	5	7.5
680pF			10	5	7.5
1000pF			10	5	7.5
1000pF	+20~-55% (Y5U)	±20%	8	5	7.5
1500pF			9	5	7.5
2200pF			10	5	7.5
2200pF			10	5	5
3300pF			12	5	10
4700pF			14	5	10
0.01uF			13.5	5	7.5
1000pF	+30~-80% (Y5V)	±20%	8	5	7.5
1500pF			9	5	7.5
2200pF			8	5	7.5
3300pF			9	5	7.5
4700pF			11	5	7.5
0.01uF			14	5	7.5/10

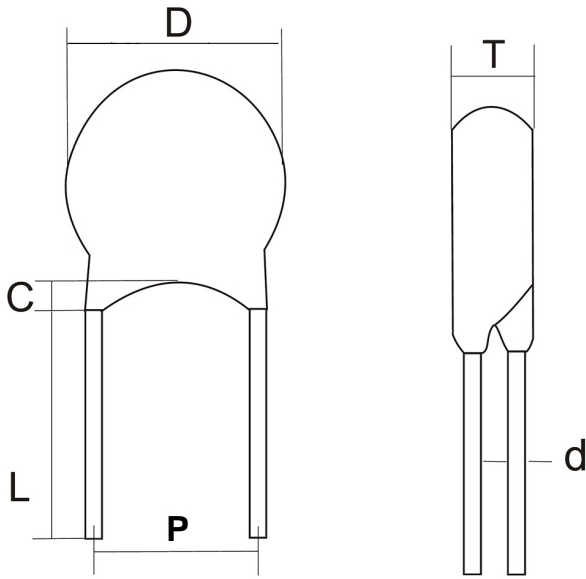
CD Y1 400VAC

X1Y1:X1 400VAC Y1 400VAC

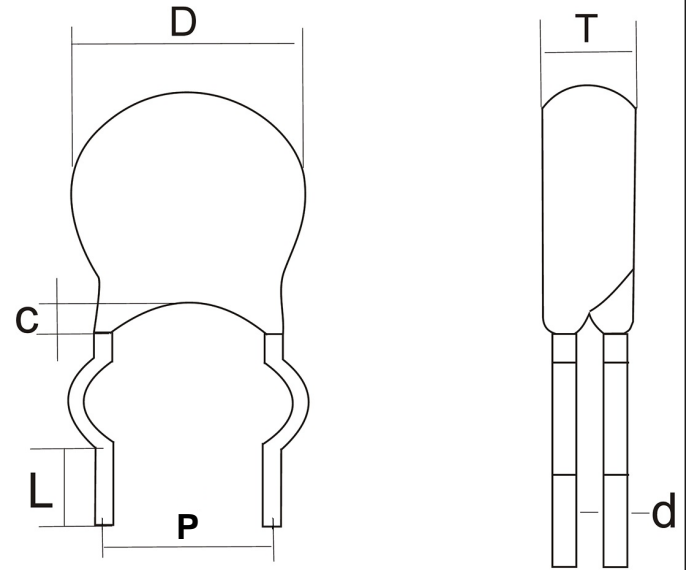
Capacitance pF	Temp Char	Tol.	Dimension (mm)		
			D max	Tmax	P±1
100pF	±10% (Y5P)	±10%	7	6	10
150pF~220pF			7	6	10
330pF			8	6	10
470pF			9	6	10
1000pF			13	6	10
330pF~470pF	+20~-55% (Y5U)	±20%	7	6	10
1000pF			8.5	6	10
1500pF			10	6	10
2200pF			11	6	10
3300pF			14.5	6	10
4700pF			17	6	10
1000pF	+30~-80% (Y5V)	±20%	8	6	10
1500pF			9	6	10
2200pF			9	6	10
3300pF			11	6	10
4700pF			13	6	10



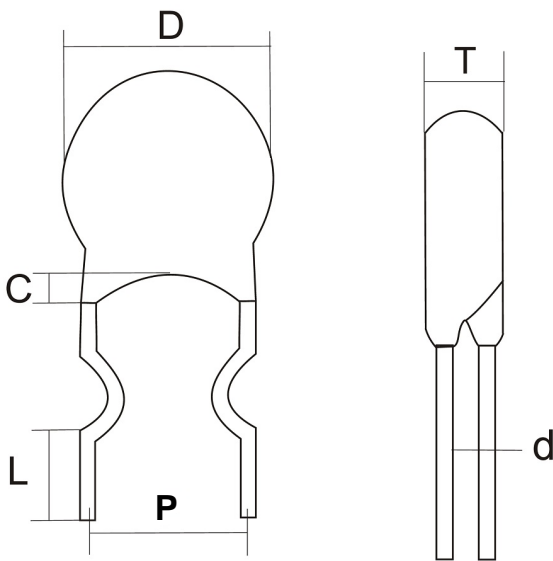
Lead Styles:



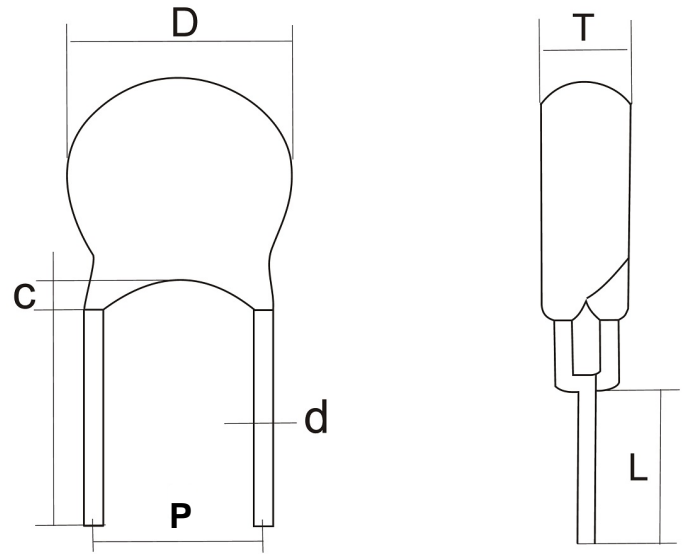
Code 0: Long straight lead



Code 2: Outside kink lead



Code 4: inside kink lead

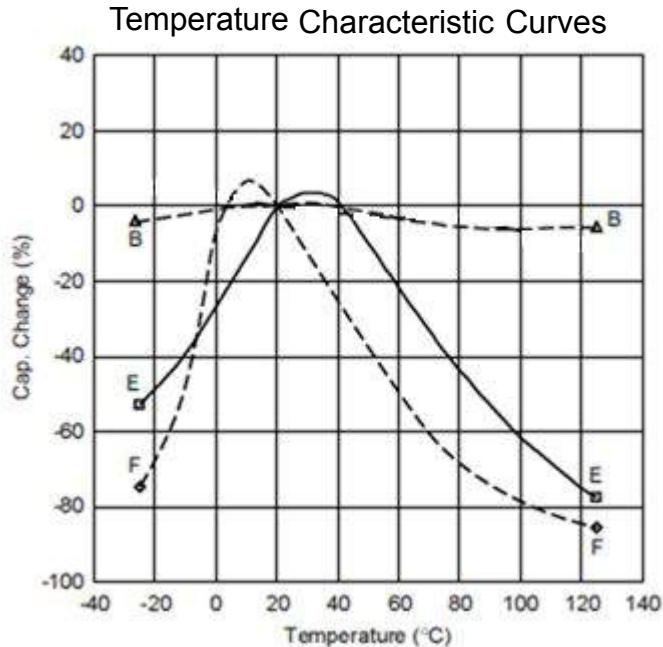


Code 8: Y kink lead

Y1 & Y2 SAFETY CAPACITORS

Safety Standard Certified Ceramic Capacitors

Temperature Characteristic Curves



Packing Quantity

Part No.	Number (PCS/bag)
Y1 $\phi \leq 10$	500
Y1 $\phi 10$ above	250
Y2 $\phi \leq 7$	1000
Y2 $\phi 7$ above	500

Storage Conditions

Storage temperature: $\leq 35^{\circ}\text{C}$ 。

Stockage Humidity: $\leq 70\%$ RH。

Keep away form corrosive atmosphere and sunlight.

Period of storage: 1 year.

How to order

Y1	U	222	M	A400	8100	A	000
Type	Material Code	Capacitance Code	Tolerance	Rated Voltage	Shap & Size Code	Package Code	Suffix Indicate Special Requirement
Y1	Dielectrics Code	pF Code: 1st two digits	M: +/-20%	For AC Voltage	8100: Lead style 8 and 10mm ptich	A: Ammo Taped	000: Indicating Standard
Y2	U: Y5U Z: Y5V P: Y5P S : SL	represent significant figures 3rd digit represents multiplier (number of zeros to follow) 100= 10pF 470= 47pF 222= 2200pF	K: +/-10% M: +/-20%	A400: 400VAC A250: 250VAC	First code represent lead style code. The following 3 digits represent pitch size 100: pitch size 10mm 050: pitch size 5mm	B: Bulk R: Tape & Reel	If for cut leads or long leads: 000: mean standard LL 035: cut leads to 3.5mm 040: cut leads to 4mm 250: 25mm long leads