



## CL23 Box Type Metallized Polyester Film Capacitors (5mm Pitch Mini Box Type)

### Part Number

CL23	F	104	K	0100	M150	B	000
Type	Material Code	Capacitance Code	Tolerance	Rated Voltage	Size Code	Package Code	Suffix Indicate Customer Special Requirement
CL23	F: Film Capacitors	pF Code pF Code: 1st two digits represent significant figures 3rd digit represents multiplier (number of zeros to follow) 105 = 1uF 104 = 0.1uF	K = +/-10% J = +/-5%	0050 = 50V 0100 = 100V	M150 = M1 Size Code, 5mm pitch M250 = M2 Size Code, 5mm pitch	B = Bulk A = Ammo Taped	000: Indicating Standard  If for cut leads or long leads: 000: mean standard LL 040: cut leads to 4mm 250: 25mm long leads

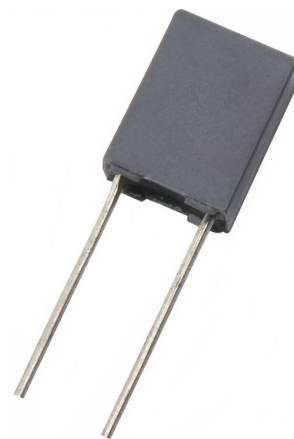
### ■ Features

- High reliability
- Metallized polyester film, non-inductive wound construction
- Plastic case (UL94 V-0) , Epoxy resin sealing

### ■ Typical Applications

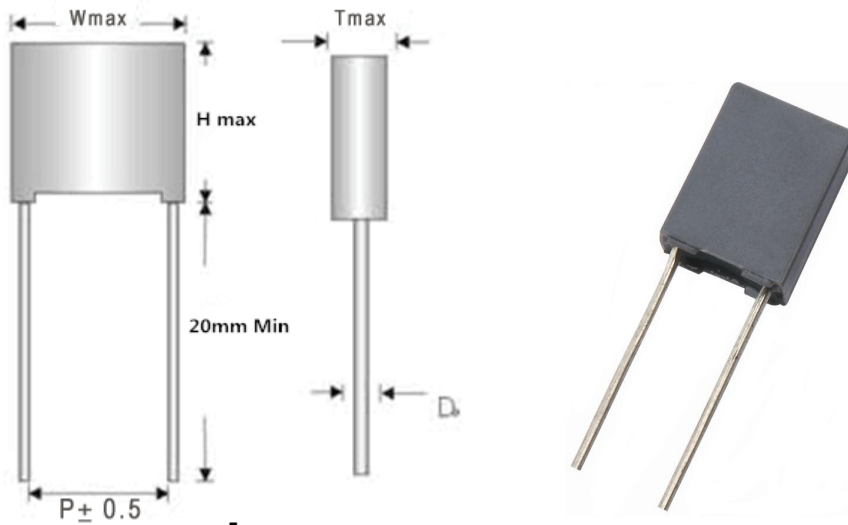
- By-passing, blocking, coupling, decoupling,
- Pulse, logic, timing, oscillator circuits.

### ■ Specifications



Reference Standard	IEC384-2 GB/T7332-96
Climatic Category	55/105/56
Rated Temperature	85°C
Operating Temperature Range	-55°C ~ 105°C (+85°C to +105°C: decreasing factor 1.25% per °C for U <sub>R</sub> )
Rated Voltage	50/63/100V 250V 400V 630V DC
Capacitance Range	0.0010μF ~ 1.5 μF
Capacitance Tolerance	± 5%(J)、 ± 10%(K)、 ± 20%(M)
Voltage Proof	1.6U <sub>R</sub> ( 5s )
Dissipation Factor	≤ 0.8 % (20°C、 1KHZ)
Insulation Resistance	≥ 3 000MΩ(20°C、 1min) C ≤ .33UF IR * C ≥ 1000MΩ * UF

## CL23 Box Type Metallized Polyester Film Capacitors (5mm Pitch Mini Box Type)



### Size Code

Code	UF	63V	100V	250VDC	400VDC	630VDC	Size ( W*H*T )
102	0.0010	M1	M1	M1,M2	M2,M3	M2,M3	M1:7.2*6.5*2.5
152	0.0015	M1	M1	M1,M2	M2,M3	M2,M3	M2:7.2*7.5*3.5
222	0.0022	M1	M1	M1,M2	M2,M3	M2,M3	M3:7.2*9.5*4.5
332	0.0033	M1	M1	M1,M2	M2,M3	M2,M3	M4:7.2*10*5
472	0.0047	M1	M1	M1,M2	M2,M3	M2,M3	M5:7.2*11*6
682	0.0068	M1	M1	M1,M2	M2,M3	M2,M3	
103	0.010	M1	M1	M1,M2	M2,M3	M3	
153	0.015	M1	M1	M1,M2	M2,M3	M3,M4	
223	0.022	M1	M1	M1,M2	M2,M3	M4,M5	
333	0.033	M1	M1	M1,M2	M2,M3	M4,M5	
473	0.047	M1	M1	M1,M2	M2,M3		
683	0.068	M1	M1	M2,M3	M3,M4		
104	0.10	M1	M1	M3	M4		
154	0.15	M1	M1	M3,M4	M4,M5		
224	0.22	M1	M1,M2	M5	M5		
334	0.33	M2,M3	M2,M3	M5			
474	0.47	M2,M3,M4	M2,M3,M4				
684	0.68	M4,M5	M4,M5				
105	1.0	M5	M5 M4				
155	1.5	M5					