

KBP2005 THRU KBP210

GLASS PASSIVATED BRIDGE RECTIFIERS

REVERSE VOLTAGE- 50 to 1000 Volts

FORWARD CURRENT- 2.0 Amperes

FEATURES

Surge overload rating -60 amperes peak

Ideal for printed circuit board

Plastic material has Underwriters Laboratory

flammability classification 94V-0

Mounting position :Any

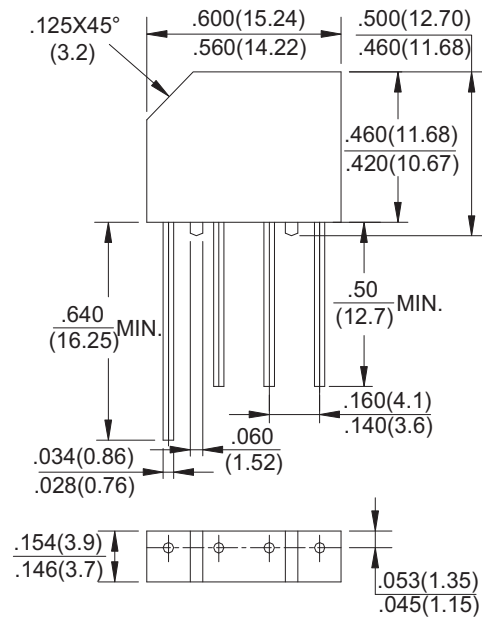
Weight: 0.07ounces ,1.95grams

MAXIMUM RATINGS AND ELECTRICAL CHARACTERISTICS

Rating at 25°C ambient temperature unless otherwise specified.

Resistive or inductive load,60HZ.

For capacitive load, derate current by 20%



Dimensions in inches and (millimeters)

CHARACTERISTICS	SYMBOL	KBP 2005	KBP 201	KBP 202	KBP 204	KBP 206	KBP 208	KBP 210	UNIT
Maximum Recurrent Peak Reverse Voltage	V _{RRM}	50	100	200	400	600	800	1000	V
Maximum RMS Bridge Input Voltage	V _{RMS}	35	70	140	280	420	560	700	V
Maximum DC Blocking Voltage	V _{DC}	50	100	200	400	600	800	1000	V
Maximum Average Forward Rectified Output Current @T _A =50 °C	I _(AV)	2.0							A
Peak Forward Surge Current , 8.3ms Single Half Sine-Wave Super Imposed on Rated Load	I _{FSM}	60							A
Maximum Forward Voltage Drop Per Bridge Element at 2.0A Peak	V _F	1.1							V
Maximum Reverse Current at Rated DC Blocking Voltage Per Element	I _R	10.0							uA
Maximum Reverse Current at Rated DC Blocking Voltage Per Element @T _A =100°C	I _R	1.0							mA
Operating Temperature Range T _J	T _J	-55 to +150							°C
Storage Temperature Range T _A	T _{STG}	-55 to +150							°C

**GLASS PASSIVATED BRIDGE RECTIFIERS
RATING AND CHARACTERISTIC CURVES**

