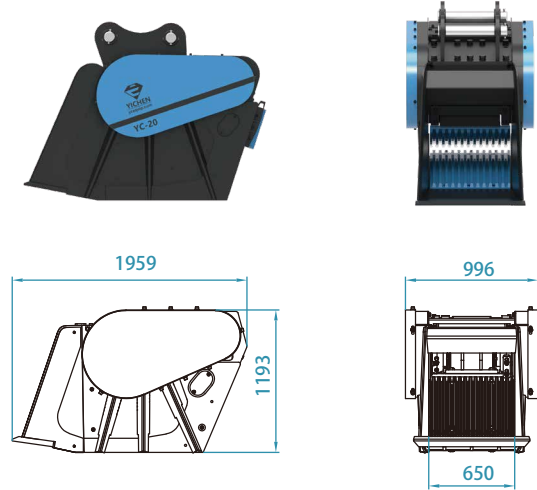


YC-20

YC-10
YC-20
 YC-30
 YC-40



ACCESSORIES



Jaw Plate

WIDTH	LENGTH	TOOTH PITCH
630mm	965mm	49mm



Fine Jaw Plate

WIDTH	LENGTH	TOOTH PITCH
630mm	965mm	25mm

PRODUCT APPLICATIONS

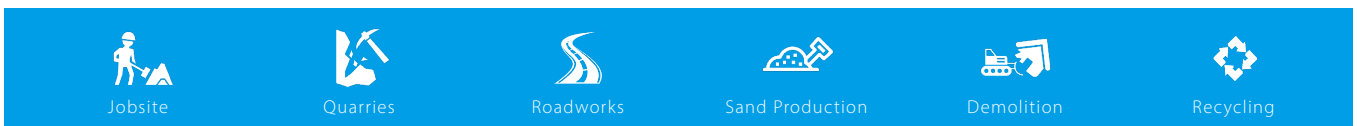
- Demolition work, construction work, civil engineering, road work, mining, dredging, rock work, municipal waste disposal, recycling and reuse and other fields of crushing work.
- The crushing and recycling of construction waste such as concrete, bricks, asphalt concrete, ceramics, glass, etc.
- Crushing work of railway cement sleepers, cement poles, various bridge pier piles, etc.
- Pavement construction and earthwork, excavation engineering, forest road construction site crushing and processing of aggregates, etc.
- The processing of natural stone in quarries, mines, gravel pits, river pebble pits, etc.
- Sand making (using Yichen's special fine-tooth jaws) to meet the needs of construction materials in areas lacking sand.

PRODUCT PARAMETER (SPECIFICATION)

Excavator	≥20 ton	Output Setting	10- 100 mm
Opening Dimensions	650*510	Load Capacity	0.8 m ³
Speed/min.	320 rpm	Dimensions	1959x996x1193 mm
Pressure	220 bar	Weight	2100 kgs
Oil Flow	>150 L/m		



APPLICATIONS



*The data provided above is not binding, as the manufacturer reserves itself the right to make improvements to its products at any time and with no advance notice.