



Stainless Steel Multi-channel Valve

We supply Stainless Steel Multi-channel Valve. The HISPEED® Stainless Steel Multi-channel Valves are designed and manufactured to provide maximum service life and dependability. The HISPEED® Stainless Steel Multi-channel Valves may be used in commercial and industrial applications, including Beer drink, Printing and dyeing dyeing,

Air separation, Pharmaceutical, Filling, Chemical industry, Sterilization, Foam equipment Environmental protection etc. Choose HISPEED® Stainless Steel Multi-channel Valves for the most specified, versatile and economical valve option in commercial, mechanical and industrial applications. We are expecting to become your long term partner in China.

Product Description

As the professional manufacture, we would like to provide you Hispeed® Stainless Steel Multi-channel Valve. And we will offer you the best after-sale service and timely delivery.

The HISPEED® Stainless Steel Multi-channel Valves are designed and manufactured to provide maximum service life and dependability. The HISPEED® Stainless Steel Multi-channel Valves may be used in commercial and industrial applications, including Beer drink, Printing and dyeing, Air separation, Pharmaceutical, Filling, Chemical industry, Sterilization, Foam equipment Environmental protection etc. Choose HISPEED® Stainless Steel Multi-channel Valves for the most specified, versatile and economical valve option in commercial, mechanical and industrial applications. We are expecting to become your long term partner in China.

So as to provide you with ease and enlarge our business, we even have inspectors in QC Crew and guarantee you our best company and solution for Good quality China Container Plant Factory/Greenhouse, Our Organization Core Principle: The prestige very first ;The quality guarantee ;The customer are supreme. Good quality China Hydroponic Container Greenhouse, Container Greenhouse, With the goal of "zero defect". To care for the environment, and social returns, care employee social responsibility as own duty. We welcome friends from all over the world to visit and guide us so that we can achieve the win-win goal together.

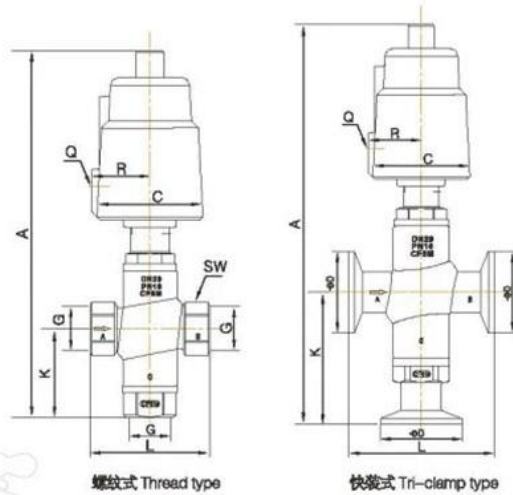
Product Parameter (Specification)

螺纹式 Thread Type

规格 Size	执行器 Actuator	Q	C	R	G	A	K	L	SW	重量 weight (kg)
DN15	40	G1/8	50.5	27	1/2"	195	50	68	27	0.91
DN20	50	G1/8	60	33	3/4"	230	60	75	32	1.25
DN25	50	G1/8	60	33	1"	242	68	90	40	1.64

快装式 Tri-clamp Type

规格 Size	执行器 Actuator	Q	C	R	D	A	K	L	重量 weight (kg)
DN15	40	G1/8	50.5	27	34	223	80	90	0.99
DN20	50	G1/8	60	33	50.5	246	80	90	1.48
DN25	50	G1/8	60	33	50.5	262	90	100	1.78



Product Feature And Application

The valve has three through holes, which can realize the commutation split or mixing function, and can replace two two-way stop valves to a certain extent. When the valve is in the non-working state, due to the spring force, the C end of the valve is normally closed, and the B end is normally open; when the actuator piston is acted by the compressed gas, the C end of the valve is opened and the B end is closed. In the double acting mode, the valve is opened and closed by compressed air.

Product Details

- Pipeline Pressure: Max16bar (232psi)
- Control Pressure: 3-8bar (43.5-116psi)
- Control Medium: clean compressed air or neutral gas
- Body Material: CF8M
- Actuator Material: CF8
- Seal Material: PTFE
- Medium Temperature: -10°C - +180°C (PTFE normal temperature type)
- Ambient Temperature: -10°C - +80°C
- Control Type: single acting normally closed, double acting normally closed, double acting free state
- Connection Type: threaded, quick-loading
- Applicable Medium: water, steam, oil, neutral gas or liquid, organic solvent, Acid-base solution, etc.
- Leakage rating: DIN EN 12266 Class A

Deliver,Shipping And Serving

Ship from Qingdao or another Seaports

FAQ

	Q	A
--	---	---

1	How many days you need to install the equipment?	Unwanted.
2	How many staff abroad you sent to install the equipment?	Unwanted.
3	Can I transfer the money to you then you pay to other supplier?	YES.
4	Can I delivery the goods from other supplier to your factory? Then load together?	YES.
5	When will you leave your factory and to have your spring festival holidays?	According to national regulations.
6	Can the equipment be installed under hot weather?	YES.
7	Can Your products be installed under the cold weather?	YES.
8	Do You have office in shanghai or guangzhou that i can visit?	NONE.
9	Can you send your staff to install the equipment for us?	Unwanted.
10	Can I only buy some spare parts from you?	YES.
11	Will you will attend the fair to show your products?	YES.
12	Can you send your equipment to my warehouse in guangzhou?	YES.
13	How long it takes you to provide the designing options for us?	3 days at most.
14	What is your products standardization?	AWWA BS AIP WRAS FM.
15	How do you pack the equipment?	Negotiate with the customer.
16	Can you can design the equipment according to our size?	YES.
17	How many years have your	5 years.

	company made this kind of equipment?	
18	Which certificate do you have for your equipment?	FM.
19	How many staffs do you have in your factory?	200
20	Do you have any agent in our country?	NONE.
21	Do you have any real project pictures of the equipment?	YES.
22	How far is your factory from the city hotel?	10 km.
23	How far is your factory from the airport?	10 km.
24	How long it will take from guangzhou to your factory?	5 hours.
25	Where is your factory located?	Weifang City,Shandong province.
26	Do you provide free spare parts?	It depends.
27	What is the age range for your products?	Everyone.
28	Do you have detailed and professional installation manual?	YES.
29	If OEM is acceptable?	YES.
30	Do you provide sample? Free or charge?	It depends.
31	What is your term of payment?	30% payment in advance, 70% paid before shipment.
32	What is your MOQ?	One container.
33	Are you a trading company or a manufacturer?	Trade and Industry combination group company.
34	How long is your delivery time?	25-40 days.