



### Roll Grooving Machines(Manually Operated)

We supply Roll Grooving Machines(Manually Operated).The HISPEED® Roll Grooving Machines(Manually Operated) are designed to groove pipe ends.They are powered by gear reducing motor featuring integral hydraulic pump structure and groove depth limitation device, so to ensure high quality grooves. We provides manually operated roll grooving machine in perfect quality.We are expecting to become your long term

partner in China.

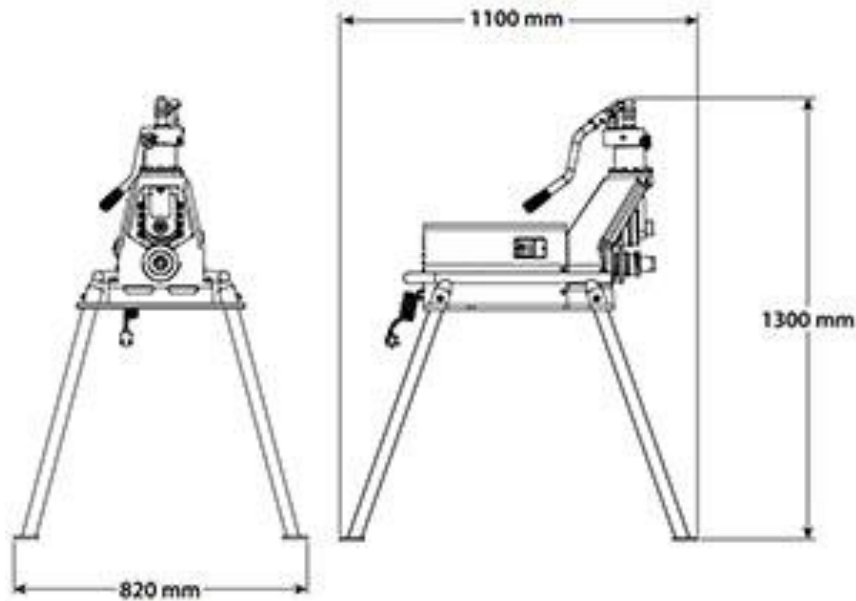
### Product Description

You are welcomed to come to our factory to buy the latest selling, low price, and high-quality Hispeed® Roll Grooving Machines(Manually Operated). We look forward to cooperating with you.

The HISPEED® Roll Grooving Machines(Manually Operated) are designed to groove pipe ends.They are powered by gear reducing motor featuring integral hydraulic pump structure and groove depth limitation device, so to ensure high quality grooves. We provides manually operated roll grooving machine in perfect quality.We are expecting to become your long term partner in China. Our staff through skilled training. Skilled skilled knowledge, potent sense of company, to satisfy the provider requirements of consumers for Factory directly China Factory Direct Sales Tube Roll Groover 24rpm Low Noise Pipe Roll Grooving Machine for Sch 40, We are ready to cooperate with organization pals from at your home and abroad and make a great long term together.

Factory directly China Pipe Roll Grooving Machine, Tube Roll Groover, We hope we can establish long-term cooperation with all of the customers. And hope we can improve competitiveness and achieve the win-win situation together with the customers. We sincerely welcome the customers from all over the world to contact us for anything you need to have.

### Product Parameter (Specification)



**Product Feature And Application**

This machine is suitable for processing annular groove for 2"-24" steel pipe  
 The power unit adopts high-performance gear motor, small volume and low noise.  
 The unique hydraulic pump and groove depth limiting device, ensure high quality groove rolling ability and high efficiency

**Product Details**

Model	TM-106	TM-106B	TM-212	TM-212B	TM-1424	TM-1424B
Grooved OD	1" ~ 6"	1" ~ 6"	2" ~ 12"	2" ~ 12"	14" ~ 24"	14" ~ 24"
Grooved THS	Sch10 ~ Sch40	Sch10 ~ Sch40	Sch40	Sch40	Sch40	Sch40
Output (rpm)	23	23	23	23	15	15
Phase (P)	Single	Three	Single	Three	Single	Three
Voltage (V)	110/120/220/230/240	220/380/415/440	110/120/220/230/240	220/380/415/440	110/120/220/230/240	220/380/415/440
Frequency (Hz)	50/60	50/60	50/60	50/60	50/60	50/60

**Deliver,Shipping And Serving**

Ship from Qingdao or another Seaports

**FAQ**

	Q	A
1	How many days you need to install the equipment?	Unwanted.
2	How many staff abroad you sent to install the equipment?	Unwanted.
3	Can I transfer the money to you	YES.

	then you pay to other supplier?	
4	Can I delivery the goods from other supplier to your factory? Then load together?	YES.
5	When will you leave your factory and to have your spring festival holidays?	According to national regulations.
6	Can the equipment be installed under hot weather?	YES.
7	Can Your products be installed under the cold weather?	YES.
8	Do You have office in shanghai or guangzhou that i can visit?	NONE.
9	Can you send your staff to install the equipment for us?	Unwanted.
10	Can I only buy some spare parts from you?	YES.
11	Will you will attend the fair to show your products?	YES.
12	Can you send your equipment to my warehouse in guangzhou?	YES.
13	How long it takes you to provide the designing options for us?	3 days at most.
14	What is your products standardization?	AWWA BS AIP WRAS FM.
15	How do you pack the equipment?	Negotiate with the customer.
16	Can you can design the equipment according to our size?	YES.
17	How many years have your company made this kind of equipment?	5 years.
18	Which certificate do you have for your equipment?	FM.
19	How many staffs do you have in	200

	your factory?	
20	Do you have any agent in our country?	NONE.
21	Do you have any real project pictures of the equipment?	YES.
22	How far is your factory from the city hotel?	10 km.
23	How far is your factory from the airport?	10 km.
24	How long it will take from guangzhou to your factory?	5 hours.
25	Where is your factory located?	Weifang City,Shandong province.
26	Do you provide free spare parts?	It depends.
27	What is the age range for your products?	Everyone.
28	Do you have detailed and professional installation manual?	YES.
29	If OEM is acceptable?	YES.
30	Do you provide sample? Free or charge?	It depends.
31	What is your term of payment?	30% payment in advance, 70% paid before shipment.
32	What is your MOQ?	One container.
33	Are you a trading company or a manufacturer?	Trade and Industry combination group company.
34	How long is your delivery time?	25-40 days.