



Roll Grooving Machines(Auto Operated)

We supply Roll Grooving Machines(Auto Operated).The HISPEED® Roll Grooving Machines(Auto Operated) are designed to groove pipe ends. They are powered by gear reducing motor featuring integral hydraulic pump structure and groove depth limitation device, so to ensure high quality grooves. We provides auto operated roll grooving machine in perfect quality..We are expecting to become your long term partner in

China.

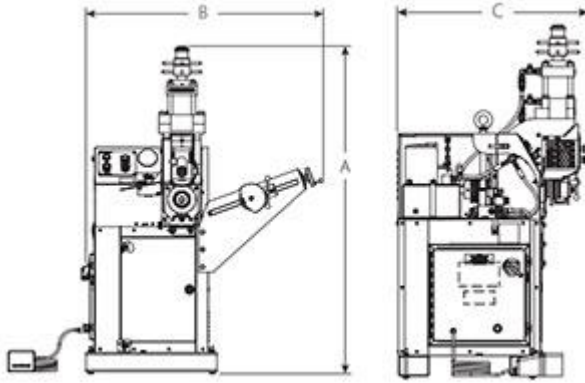
Product Description

You can rest assured to buy customized Hispeed® Roll Grooving Machines(Auto Operated) from us. We look forward to cooperating with you, if you want to know more, you can consult us now, we will reply to you in time!

The HISPEED® Roll Grooving Machines(Auto Operated) are designed to groove pipe ends. They are powered by gear reducing motor featuring integral hydraulic pump structure and groove depth limitation device, so to ensure high quality grooves. We provides auto operated roll grooving machine in perfect quality..We are expecting to become your long term partner in China. No matter new customer or previous client, We believe in prolonged time period and trustworthy relationship for Wholesale ODM China Hydraulic Power Pipe/Tube Roll Grooving Machine (YG12A), By way of more than 8 years of business, we've got accumulated rich experience and advanced technologies while in the generation of our items.

Wholesale ODM China Hydraulic Pipe Grooving Machine, Hydraulic Tube Grooving Machine, We have developed large markets in many countries, such as Europe and the United States, Eastern Europe and Eastern Asia. Meanwhile with the powerful predominance in persons with ability, strict production management and business concept.we constantly carry on self-innovation, technological innovation, managing innovation and business concept innovation. To follow the world markets fashion, new products are kept on researching and providing to guarantee our competitive advantage in styles, quality, price and service.

Product Parameter (Specification)



Dimensions		
A inches mm	B inches mm	C inches mm
71.12 1806	50.80 1290	37.38 949

Product Feature And Application

This machine is suitable for processing annular groove for 2"-24" steel pipe. The power unit adopts high-performance gear motor, small volume and low noise. The unique hydraulic pump and groove depth limiting device, ensure high quality groove rolling ability and high efficiency.

Product Details

Model	TA-106	TA-106B	TA-212	TA-212B	TA-1424	TA-1424B
Grooved OD	1" ~ 6"	1" ~ 6"	2" ~ 12"	2" ~ 12"	14" ~ 24"	14" ~ 24"
Grooved THS	Sch10 ~ Sch40	Sch10 ~ Sch40	Sch10 ~ Sch40	Sch10 ~ Sch40	Sch40	Sch40
Output (rpm)	23	23	36	36	15	15
Phase (P)	Single	Three	Single	Three	Single	Three
Voltage (V)	110/120/220/230/240	220/380/415/440	110/120/220/230/240	220/380/415/440	110/120/220/230/240	220/380/415/440
Frequency (Hz)	50/60	50/60	50/60	50/60	50/60	50/60

Deliver, Shipping And Serving

Ship from Qingdao or another Seaports

FAQ

	Q	A
1	How many days you need to install the equipment?	Unwanted.

2	How many staff abroad you sent to install the equipment?	Unwanted.
3	Can I transfer the money to you then you pay to other supplier?	YES.
4	Can I delivery the goods from other supplier to your factory? Then load together?	YES.
5	When will you leave your factory and to have your spring festival holidays?	According to national regulations.
6	Can the equipment be installed under hot weather?	YES.
7	Can Your products be installed under the cold weather?	YES.
8	Do You have office in shanghai or guangzhou that i can visit?	NONE.
9	Can you send your staff to install the equipment for us?	Unwanted.
10	Can I only buy some spare parts from you?	YES.
11	Will you will attend the fair to show your products?	YES.
12	Can you send your equipment to my warehouse in guangzhou?	YES.
13	How long it takes you to provide the designing options for us?	3 days at most.
14	What is your products standardization?	AWWA BS AIP WRAS FM.
15	How do you pack the equipment?	Negotiate with the customer.
16	Can you can design the equipment according to our size?	YES.
17	How many years have your company made this kind of equipment?	5 years.

18	Which certificate do you have for your equipment?	FM.
19	How many staffs do you have in your factory?	200
20	Do you have any agent in our country?	NONE.
21	Do you have any real project pictures of the equipment?	YES.
22	How far is your factory from the city hotel?	10 km.
23	How far is your factory from the airport?	10 km.
24	How long it will take from guangzhou to your factory?	5 hours.
25	Where is your factory located?	Weifang City, Shandong province.
26	Do you provide free spare parts?	It depends.
27	What is the age range for your products?	Everyone.
28	Do you have detailed and professional installation manual?	YES.
29	If OEM is acceptable?	YES.
30	Do you provide sample? Free or charge?	It depends.
31	What is your term of payment?	30% payment in advance, 70% paid before shipment.
32	What is your MOQ?	One container.
33	Are you a trading company or a manufacturer?	Trade and Industry combination group company.
34	How long is your delivery time?	25-40 days.