



Reducer Coupling

We supply Reducer Coupling. The HISPEED® Reducer Coupling can be applied to water treatment and drinking water, oil and gas, heating & power, HVAC system, medicine & food and so on. We are specialized in providing stainless steel press fittings system solutions and products for pipelines. We are expecting to become your long term partner in China.

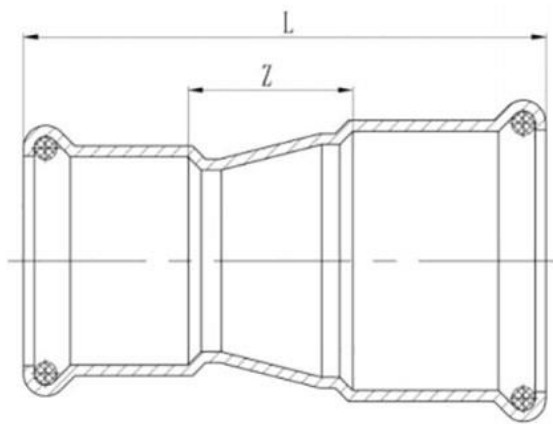
Product Description

As the professional manufacture, we would like to provide you high quality Hispeed® Reducer Coupling. And we will offer you the best after-sale service and timely delivery.

The HISPEED® Reducer Coupling can be applied to water treatment and drinking water, oil and gas, heating & power, HVAC system, medicine & food and so on. We are specialized in providing stainless steel press fittings system solutions and products for pipelines. We are expecting to become your long term partner in China.

To continually improve the management procedure by virtue in the rule of "sincerely, great religion and good quality are the base of company development", we commonly absorb the essence of associated products and solutions internationally, and regularly build new solutions to meet the calls for of consumers for factory low price China Copper End Feed Reducer Coupling, With outstanding provider and top quality, and an business of international trade showcasing validity and competitiveness, that will be dependable and welcomed by its clients and makes joy to its workforce. factory low price China Copper End Feed, Copper Reducer Coupling, We warmly welcome you to come to visit us personally. We hope to establish a long-term friendship based on equality and mutual benefit. If you want to get in touch with us, please do not hesitate to call. We will be your best choice.

Product Parameter (Specification)



Size (OD) mm	T1 mm
18x15	1.5
22x15	1.5
22x18	1.5
28x15	1.5
28x18	1.5
28x22	1.5
35x15	1.5
35x18	1.5
35x22	1.5
35x28	1.5
42x15	1.5
42x18	1.5
42x22	1.5
42x28	1.5
42x35	1.5
54x15	1.5
54x18	1.5
54x22	1.5
54x28	1.5
54x35	1.5
54x42	2.0
76.1x54	2.0
88.9x54	2.0
88.9x76.1	2.0
108x54	2.0
108x76.1	2.0
108x88.9	2.0

Product Feature And Application

- Easy&fast to install
- Long service life
- Wide range of applications
- Green health&Environmental protection
- Excellent corrosion resistance&Low cost of labour

Product Details

SS304/SS316L/carbon steel(galvanized)

O-ring in EPDM/FKM/NBR are available

Deliver,Shipping And Serving

Ship from Qingdao or another Seaports

FAQ

	Q	A
1	How many days you need to install the equipment?	Unwanted.
2	How many staff abroad you sent to install the equipment?	Unwanted.
3	Can I transfer the money to you then you pay to other supplier?	YES.
4	Can I delivery the goods from other supplier to your factory? Then load together?	YES.
5	When will you leave your factory and to have your spring festival holidays?	According to national regulations.
6	Can the equipment be installed under hot weather?	YES.
7	Can Your products be installed under the cold weather?	YES.
8	Do You have office in shanghai or guangzhou that i can visit?	NONE.
9	Can you send your staff to install the equipment for us?	Unwanted.
10	Can I only buy some spare parts from you?	YES.
11	Will you will attend the fair to show your products?	YES.
12	Can you send your equipment to my warehouse in guangzhou?	YES.
13	How long it takes you to provide the designing options for us?	3 days at most.

14	What is your products standardization?	AWWA BS AIP WRAS FM.
15	How do you pack the equipment?	Negotiate with the customer.
16	Can you can design the equipment according to our size?	YES.
17	How many years have your company made this kind of equipment?	5 years.
18	Which certificate do you have for your equipment?	FM.
19	How many staffs do you have in your factory?	200
20	Do you have any agent in our country?	NONE.
21	Do you have any real project pictures of the equipment?	YES.
22	How far is your factory from the city hotel?	10 km.
23	How far is your factory from the airport?	10 km.
24	How long it will take from guangzhou to your factory?	5 hours.
25	Where is your factory located?	Weifang City,Shandong province.
26	Do you provide free spare parts?	It depends.
27	What is the age range for your products?	Everyone.
28	Do you have detailed and professional installation manual?	YES.
29	If OEM is acceptable?	YES.
30	Do you provide sample? Free or charge?	It depends.
31	What is your term of payment?	30% payment in advance, 70% paid before shipment.

32	What is your MOQ?	One container.
33	Are you a trading company or a manufacturer?	Trade and Industry combination group company.
34	How long is your delivery time?	25-40 days.