



PN16 Rising Stem Resilient-Seated(NRS) Ductile Iron Gate Valve

You are welcomed to come to our factory to buy the latest selling, low price, and high-quality Hispeed® PN16 Rising Stem Resilient-Seated(NRS) Ductile Iron Gate Valve. We supply PN16 Rising Stem Resilient-Seated(NRS) Ductile Iron Gate Valve. The Rising Stem Resilient-Seated(OS&Y) Ductile Iron Gate Valve provides full flow with

minimal pressure drop. The Gate Valve features a PN16 flange, raised face end connection for easy installation and accessibility. Rising Stem(OS&Y) Gate Valves are recommended when positive shutoff and a quick visual indicator of open/closed position is required. The OS&Y configuration protects the stem threads from contact with the media. The HISPEED® flanged ductile iron gate valve may be used in commercial and industrial applications, including water supply, waste water, gas supply, fire protection, HVAC and irrigation. Choose HISPEED® gate valves for the most specified, versatile and economical valve option in commercial, mechanical and industrial applications. We are expecting to become your long term partner in China.

Product Description

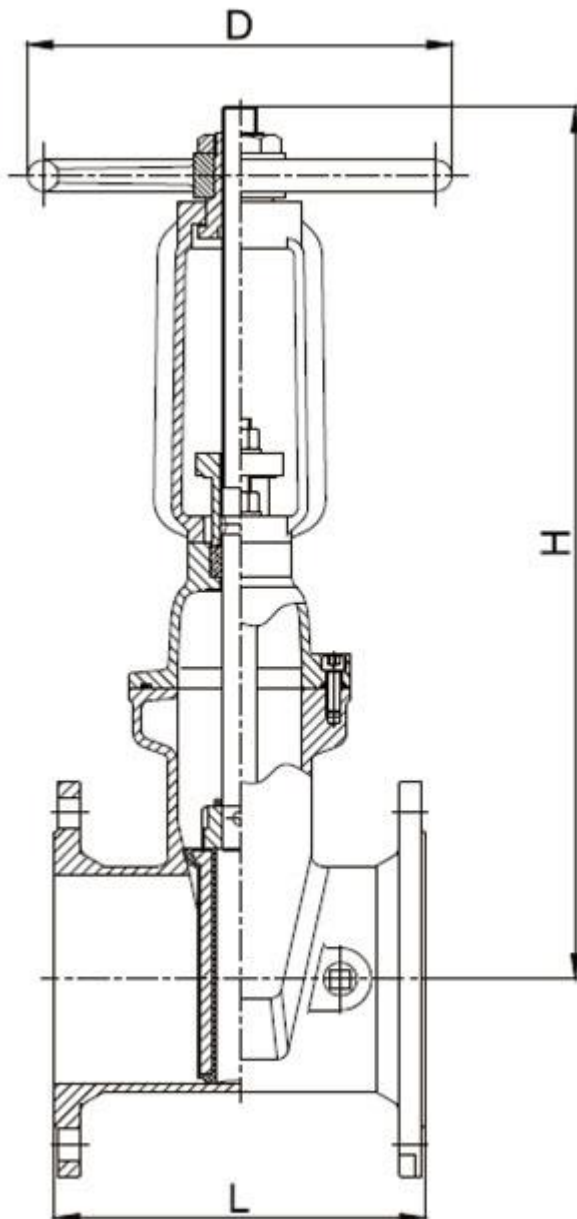
As the professional manufacture, we would like to provide you high quality Hispeed® PN16 Rising Stem Resilient-Seated(NRS) Ductile Iron Gate Valve. Due to our focused approach, timely delivery and ethical business policy, we have been able to gain tremendous success in this domain.

The Rising Stem Resilient-Seated(OS&Y) Ductile Iron Gate Valve provides full flow with minimal pressure drop. The Gate Valve features a PN16 flange, raised face end connection for easy installation and accessibility. Rising Stem(OS&Y) Gate Valves are recommended when positive shutoff and a quick visual indicator of open/closed position is required. The OS&Y configuration protects the stem threads from contact with the media. Our company insists all along the quality policy of "product good quality is base of enterprise survival; buyer fulfillment will be the starting point and ending of an company; persistent improvement is eternal pursuit of staff" and also the consistent purpose of "reputation very first, shopper first" for Factory Directly supply China Manufacturer Rubber Solid Encapsulated Wedge Nrs Resilient Seat Slurry Knife Gate Valve Pn16 Wras Approved for Drinking Water, Safety by innovation is our promise to each other. Factory Directly supply China Rubber Gate Valve, Wras Gate Valve, Our company offers the full range from pre-sales to after-sales service, from product development to audit the use of

maintenance, based on strong technical strength, superior product performance, reasonable prices and perfect service, we'll continue to develop, to offer the high-quality solutions and services, and promote lasting cooperation with our customers, common development and create a better future.

The HISPEED® flanged ductile iron gate valve may be used in commercial and industrial applications, including water supply, waste water, gas supply, fire protection, HVAC and irrigation. Choose HISPEED® gate valves for the most specified, versatile and economical valve option in commercial, mechanical and industrial applications. We are expecting to become your long term partner in China.

Product Parameter (Specification)



Size	50	65	80	100	125	150	200	250	300	350	400	450	500	600	
L	Series 3/B16.10	178	191	203	229	254	267	292	330	356	381	406	432	457	508
	Series 14	150	170	180	190	200	210	230	250	270	290	310	330	350	390
	Series 15	250	270	280	300	325	350	400	450	500	550	600	650	700	800
	BS3464	146	159	165	171	191	210	241	273	305	-	-	-	-	-
H	362	427	508	620	709	809	990	1180	1352	1590	1720	1970	2090	2450	
D	183	183	254	254	305	305	355	455	455	558	558	610	610	610	

Product Feature And Application

Meet or exceed BS/DIN/EN

Full Waterway

Adjustable Packing

Ductile Iron Wedge, EPDM Encapsulated

Face to Face Dimensions to ANSI/ASME B16.10, EN558 S03 / EN558 S14/S15

Flange Drilling to EN1092-2 PN16

PN16

Fusion Bonded Epoxy Coated Interior and Exterior to AWWA C550 Standard

Product Details

Available with Supervisory Switch

ASTM B150 Bronze Stem Available

ASTM A276 Type 316/431/420 Stainless Steel Available

Part	Material	ASTM Specification
Body	Ductile Iron	A536 Grade 65-45-12
Wedge	EPDM Fully Encapsulated Ductile Iron	
Wedge Nut	Stainless Steel	A351 Grade CF8
Bonnet	Ductile Iron	A536 Grade 65-45-12
Yoke	Ductile Iron	A536 Grade 65-45-12
Stem	Stainless Steel	A276 Type 304
Stem Nut	Bronze	B148 C95200
Body/Bonnet Gasket	Rubber	D2000 EPDM
Packing	Graphite	Non-Asbestos
Gland	Ductile Iron	A536 Grade 65-45-12
Gland stud	Stainless Steel	F593 Grade 304
Bonnet Fasteners	Carbon Steel	A307 Grade B
Plug	Malleable Iron	A47 Grade 22010
Handwheel	Ductile Iron	A536 Grade 65-45-12

Deliver, Shipping And Serving

Ship from Qingdao or another Seaports

FAQ

	Q	A
1	How many days you need to install the equipment?	Unwanted.
2	How many staff abroad you sent to install the equipment?	Unwanted.
3	Can I transfer the money to you then you pay to other supplier?	YES.
4	Can I delivery the goods from other supplier to your factory? Then load together?	YES.
5	When will you leave your factory and to have your spring festival holidays?	According to national regulations.
6	Can the equipment be installed under hot weather?	YES.
7	Can Your products be installed under the cold weather?	YES.
8	Do You have office in shanghai or guangzhou that i can visit?	NONE.
9	Can you send your staff to install the equipment for us?	Unwanted.
10	Can I only buy some spare parts from you?	YES.
11	Will you will attend the fair to show your products?	YES.
12	Can you send your equipment to my warehouse in guangzhou?	YES.
13	How long it takes you to provide the designing options for us?	3 days at most.
14	What is your products standardization?	AWWA BS AIP WRAS FM.
15	How do you pack the	Negotiate with the customer.

	equipment?	
16	Can you can design the equipment according to our size?	YES.
17	How many years have your company made this kind of equipment?	5 years.
18	Which certificate do you have for your equipment?	FM.
19	How many staffs do you have in your factory?	200
20	Do you have any agent in our country?	NONE.
21	Do you have any real project pictures of the equipment?	YES.
22	How far is your factory from the city hotel?	10 km.
23	How far is your factory from the airport?	10 km.
24	How long it will take from guangzhou to your factory?	5 hours.
25	Where is your factory located?	Weifang City,Shandong province.
26	Do you provide free spare parts?	It depends.
27	What is the age range for your products?	Everyone.
28	Do you have detailed and professional installation manual?	YES.
29	If OEM is acceptable?	YES.
30	Do you provide sample? Free or charge?	It depends.
31	What is your term of payment?	30% payment in advance, 70% paid before shipment.
32	What is your MOQ?	One container.
33	Are you a trading company or a manufacturer?	Trade and Industry combination group company.

34	How long is your delivery time?	25-40 days.
----	---------------------------------	-------------