



Extended Coverage Sprinklers

We supply Extended Coverage Sprinklers. The HISPEED® Extended Coverage Sprinklers are designed to protect larger areas than specified by installation rules for standard spray sprinklers. The HISPEED® Extended Coverage Sprinklers are approved to protect light, ordinary, and extra hazard occupancies, and are available in a wide variety of finishes, temperatures, and styles. The HISPEED® Extended Coverage Sprinklers may reduce both material and installation costs by reducing the number of sprinklers, branch lines, fittings, and installation time. We are expecting to become your long term partner in China.

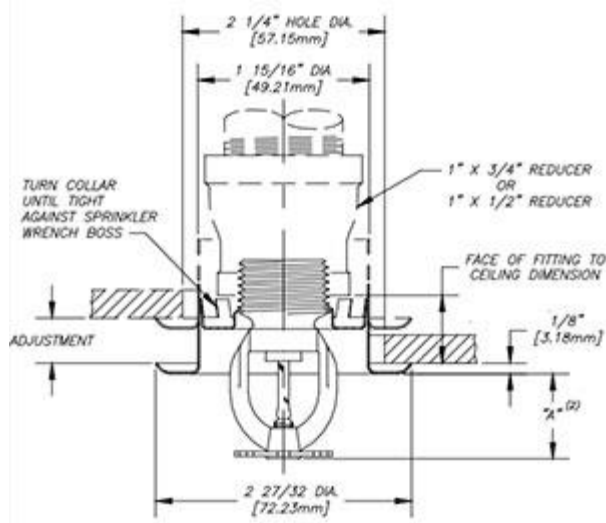
Product Description

You are welcomed to come to our factory to buy the latest selling, low price, and high-quality Hispeed® Extended Coverage Sprinklers. We look forward to cooperating with you.

The HISPEED® Extended Coverage Sprinklers are designed to protect larger areas than specified by installation rules for standard spray sprinklers. The HISPEED® Extended Coverage Sprinklers are approved to protect light, ordinary, and extra hazard occupancies, and are available in a wide variety of finishes, temperatures, and styles. The HISPEED® Extended Coverage Sprinklers may reduce both material and installation costs by reducing the number of sprinklers, branch lines, fittings, and installation time. We are expecting to become your long term partner in China.

We think what customers think, the urgency of urgency to act in the interests of a customer position of principle, allowing for better quality, lower processing costs, prices are more reasonable, won the new and old customers the support and affirmation for ODM Supplier China Extended Coverage Sprinklers, We've professional goods knowledge and rich experience on manufacturing. We often imagine your achievements is our company! ODM Supplier China Extended Coverage Sprinklers, Esfr Fire Sprinkler, Our merchandise are mainly exported to Europe, Africa, America, the Middle East and Southeast Asia and other countries and regions. We've enjoyed a great reputation among our customers for quality solutions and good services. We would make friends with businessmen from at home and abroad, following the purpose of "Quality First, Reputation First, the Best Services."

Product Parameter (Specification)

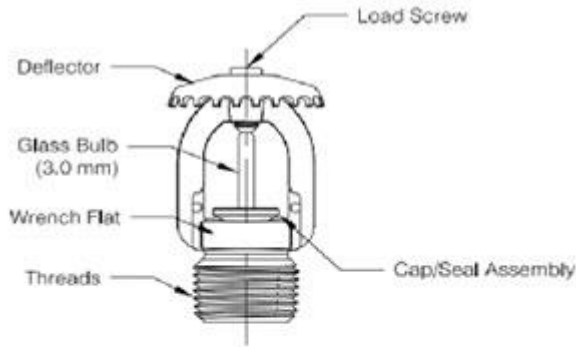


Product Feature And Application

Nominal Orifice Size	Thread Size	"K" Factor		Sprinkler Length	Approval Organizations	Temperature Rating
		US	Metric			
17/32" (20mm)	3/4" NPT (R3/4)	8.0	115.3	2.4" (61mm)	1, 2	135°F (57°C) 155°F (68°C)

Coverage Area					
Flow Rate		Pressure		Max. Coverage Area Width x Length	
gpm	L/min	K = 8.0 (115.3)		ft. x ft.	m x m
		psi	bar		
26	98.4	10.6	0,7	16 x 16	4.9 x 4.9
33	124.9	17.0	1,2	18 x 18	5.5 x 5.5
40	151.5	25.0	1,7	20 x 20 ⁽¹⁾	6.0 x 6.0 ⁽¹⁾

Product Details



Material Specifications

Thermal Sensor: 3 mm Glass Bulb

Sprinkler Frame: Brass Alloy

Cap: Bronze Alloy

Sealing Washer: Nickel with PTFE

Load Screw: Copper Alloy

Deflector: Brass Alloy

Deliver,Shipping And Serving

Ship from Qingdao or another Seaports

FAQ

	Q	A
1	How many days you need to install the equipment?	Unwanted.
2	How many staff abroad you sent to install the equipment?	Unwanted.
3	Can I transfer the money to you then you pay to other supplier?	YES.
4	Can I delivery the goods from other supplier to your factory? Then load together?	YES.
5	When will you leave your factory and to have your spring festival holidays?	According to national regulations.
6	Can the equipment be installed under hot weather?	YES.
7	Can Your products be installed under the cold weather?	YES.
8	Do You have office in shanghai or guangzhou that i can visit?	NONE.

9	Can you send your staff to install the equipment for us?	Unwanted.
10	Can I only buy some spare parts from you?	YES.
11	Will you will attend the fair to show your products?	YES.
12	Can you send your equipment to my warehouse in guangzhou?	YES.
13	How long it takes you to provide the designing options for us?	3 days at most.
14	What is your products standardization?	AWWA BS AIP WRAS FM.
15	How do you pack the equipment?	Negotiate with the customer.
16	Can you can design the equipment according to our size?	YES.
17	How many years have your company made this kind of equipment?	5 years.
18	Which certificate do you have for your equipment?	FM.
19	How many staffs do you have in your factory?	200
20	Do you have any agent in our country?	NONE.
21	Do you have any real project pictures of the equipment?	YES.
22	How far is your factory from the city hotel?	10 km.
23	How far is your factory from the airport?	10 km.
24	How long it will take from guangzhou to your factory?	5 hours.
25	Where is your factory located?	Weifang City,Shandong province.
26	Do you provide free spare parts?	It depends.

27	What is the age range for your products?	Everyone.
28	Do you have detailed and professional installation manual?	YES.
29	If OEM is acceptable?	YES.
30	Do you provide sample? Free or charge?	It depends.
31	What is your term of payment?	30% payment in advance, 70% paid before shipment.
32	What is your MOQ?	One container.
33	Are you a trading company or a manufacturer?	Trade and Industry combination group company.
34	How long is your delivery time?	25-40 days.