



Elbow with Plain

We supply Elbow with Plain. The HISPEED® Elbow with Plain can be applied to water treatment and drinking water, oil and gas, heating & power, HVAC system, medicine & food and so on. We are specialized in providing stainless steel press fittings system solutions and products for pipelines. We are expecting to become your long term partner in China.

Product Description

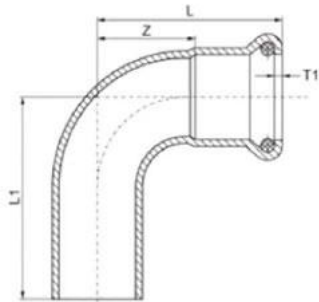
As a professional high quality Hispeed® Elbow with Plain manufacture, you can rest assured to buy Elbow with Plain from our factory and we will offer you the best after-sale service and timely delivery.

The HISPEED® Elbow with Plain can be applied to water treatment and drinking water, oil and gas, heating & power, HVAC system, medicine & food and so on. We are specialized in providing stainless steel press fittings system solutions and products for pipelines. We are expecting to become your long term partner in China.

Dependable good quality and very good credit score standing are our principles, which will help us at a top-ranking position. Adhering towards the tenet of "quality initial, shopper supreme" for Best quality China Color Corrugated Industrial Use Paper Pizza Box with Custom Logoc, We welcome new and aged buyers from all walks of lifetime to make contact with us for potential small business associations and mutual success! Best quality China Pizza Box and Corrugated Box price, So that you can utilize the resource from the expanding info in international trade, we welcome shoppers from everywhere on-line and offline. In spite of the good quality solutions we give, effective and satisfying consultation service is supplied by our specialist after-sale service team. Product lists and detailed parameters and any other be sent to you timely for your inquiries. So you should make contact with us by sending us emails or call us if you have any questions about our corporation. our may also get our address info from our web page and come to our company to get a field survey of our merchandise. We're confident that we are gonna share mutual achievement and create strong co-operation relations with our companions in this marketplace. We're searching forward for your inquiries.

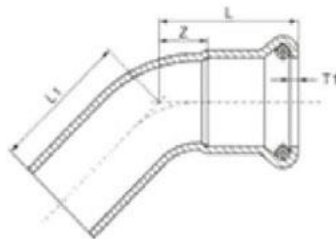
Product Parameter (Specification)

Elbow 90° with Plain-M:



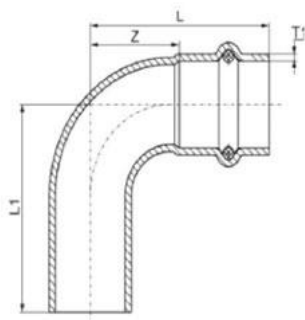
Size (OD) mm	L mm	Z mm	T1 mm
15	42.5±2	22	1.5
18	47±2	26.5	1.5
22	52.5±2	31.5	1.5
28	62±2	39	1.5
35	72±2	45	1.5
42	88±2	56	1.5
54	110±2	73	1.5
76.1	150±2	95	2.00
88.9	174±2	111	2.00
108	215±2	138	2.00
114	250±2	177	2.00
139	314±2	217	2.00
168	158±2	261	2.00

Elbow 45°with Plain-M:



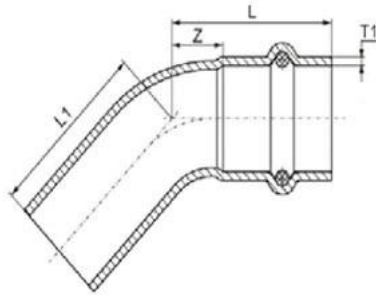
Size (OD) mm	L mm	Z mm	T1 mm
15	31±2	10.5	1.5
18	32±2	11.5	1.5
22	36±2	15	1.5
28	40.5±2	17.5	1.5
35	47±2	20	1.5
42	57±2	25	1.5
54	69±2	32	1.5
76.1	98±2	43	2.00
88.9	112±2	49	2.00
108	138±2	61	2.00

Elbow 90°with Plain-V:



Size (OD) mm	L mm	Z mm	T1 mm
15	46±2	24	1.5
18	50±2	28	1.5
22	56±2	33	1.5
28	62±2	38	1.5
35	75±2	48	1.5
42	94±2	56	1.5
54	112±2	71	1.5

Elbow 45°with Plain-V:



Size (OD) m m	L m m	Z m m	T1 m m
15	34±2	12	1.5
18	36±2	14	1.5
22	39±2	16	1.5
28	42±2	18	1.5
35	50±2	23	1.5
42	64±2	26	1.5
54	74±2	33	1.5

Product Feature And Application

- Easy&fast to install
- Long service life
- Wide range of applications
- Green health&Environmental protection
- Excellent corrosion resistance&Low cost of labour

Product Details

SS304/SS316L/carbon steel(galvanized)
O-ring in EPDM/FKM/NBR are available

Deliver,Shipping And Serving

Ship from Qingdao or another Seaports

FAQ

	Q	A
1	How many days you need to install the equipment?	Unwanted.
2	How many staff abroad you sent to install the equipment?	Unwanted.
3	Can I transfer the money to you then you pay to other supplier?	YES.
4	Can I delivery the goods from other supplier to your factory? Then load together?	YES.
5	When will you leave your factory and to have your spring festival holidays?	According to national regulations.
6	Can the equipment be installed under hot weather?	YES.
7	Can Your products be installed	YES.

	under the cold weather?	
8	Do You have office in shanghai or guangzhou that i can visit?	NONE.
9	Can you send your staff to install the equipment for us?	Unwanted.
10	Can I only buy some spare parts from you?	YES.
11	Will you will attend the fair to show your products?	YES.
12	Can you send your equipment to my warehouse in guangzhou?	YES.
13	How long it takes you to provide the designing options for us?	3 days at most.
14	What is your products standardization?	AWWA BS AIP WRAS FM.
15	How do you pack the equipment?	Negotiate with the customer.
16	Can you can design the equipment according to our size?	YES.
17	How many years have your company made this kind of equipment?	5 years.
18	Which certificate do you have for your equipment?	FM.
19	How many staffs do you have in your factory?	200
20	Do you have any agent in our country?	NONE.
21	Do you have any real project pictures of the equipment?	YES.
22	How far is your factory from the city hotel?	10 km.
23	How far is your factory from the airport?	10 km.
24	How long it will take from	5 hours.

	guangzhou to your factory?	
25	Where is your factory located?	Weifang City,Shandong province.
26	Do you provide free spare parts?	It depends.
27	What is the age range for your products?	Everyone.
28	Do you have detailed and professional installation manual?	YES.
29	If OEM is acceptable?	YES.
30	Do you provide sample? Free or charge?	It depends.
31	What is your term of payment?	30% payment in advance, 70% paid before shipment.
32	What is your MOQ?	One container.
33	Are you a trading company or a manufacturer?	Trade and Industry combination group company.
34	How long is your delivery time?	25-40 days.