



Elbow with Male Threaded End

We supply Elbow with Male Threaded End. The HISPEED® Elbow with Male Threaded End can be applied to water treatment and drinking water, oil and gas, heating & power, HVAC system, medicine & food and so on. We are specialized in providing stainless steel press fittings system solutions and products for pipelines. We are expecting to become your long term partner in China.

Product Description

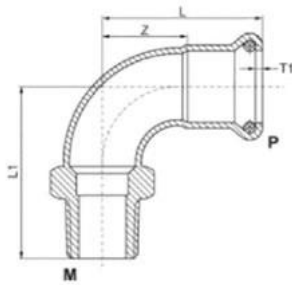
You are welcomed to come to our factory to buy the latest selling, low price, and high-quality Hispeed® Elbow with Male Threaded End. We look forward to cooperating with you.

The HISPEED® Elbow with Male Threaded End can be applied to water treatment and drinking water, oil and gas, heating & power, HVAC system, medicine & food and so on. We are specialized in providing stainless steel press fittings system solutions and products for pipelines. We are expecting to become your long term partner in China.

We pursue the management tenet of "Quality is top-quality, Company is supreme, Status is first", and will sincerely create and share success with all shoppers for New Arrival China China Male Female 90 Degree Threaded Pipe Fitting Elbow Sanitary Male and Female Elbow, Leading the trend of this field is our persistent objective. Supplying first class solutions is our intention. To create a beautiful upcoming, we wish to cooperate with all close friends in the home and overseas. Should you have got any interest in our products and solutions, remember to never wait to call us. New Arrival China China Pipe Fittings, Stainless Steel Pipe Fittings, We've more than 200 staff including experienced managers, creative designers, sophisticated engineers and skilled workers. Through hard work of all employees for the past 20 years own company grew stronger and stronger. We always apply the "client first" principle. We also always fulfill all contracts to the point and therefore enjoy excellent reputation and trust among our customers. You are very welcome to personally visit our company. We hope to start a business partnership on the basis of mutual benefit and successful development. For more information remember to do no hesitate to contact us.

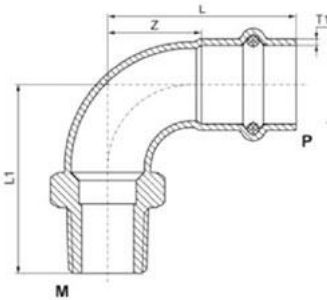
Product Parameter (Specification)

Elbow with Male Threaded End-M:



Size (OD) mm	L mm	Z mm	T1 mm
15xRp1/2	42.5±2	22	1.5
18xRp1/2	47±2	26.5	1.5
18xRp3/4	44	24	1.5
22xRp1/2	52.5±2	31.5	1.5
22xRp3/4	52.5±2	31.5	1.5
28xRp1	62±2	39	1.5
35xRp1 1/4	72±2	45	1.5
42xRp1 1/2	88±2	57	1.5
54xRp2	106±2	70	1.5

Elbow with Male Threaded End-V:



Size (OD) mm	L mm	Z mm	T1 mm
15xRp1/2	46±2	24	1.5
18xRp1/2	50±2	28	1.5
22xRp1/2	56±2	33	1.5
22xRp3/4	56±2	33	1.5
28xRp1	62±2	38	1.5
35xRp1 1/4	75±2	48	1.5
42xRp1 1/2	93	57	1.5
54xRp2	110	70	1.5

Product Feature And Application

- Easy&fast to install
- Long service life
- Wide range of applications
- Green health&Environmental protection
- Excellent corrosion resistance&Low cost of labour

Product Details

- SS304/SS316L/carbon steel(galvanized)
- O-ring in EPDM/FKM/NBR are available

Deliver,Shipping And Serving

Ship from Qingdao or another Seaports

FAQ

	Q	A
1	How many days you need to	Unwanted.

	install the equipment?	
2	How many staff abroad you sent to install the equipment?	Unwanted.
3	Can I transfer the money to you then you pay to other supplier?	YES.
4	Can I delivery the goods from other supplier to your factory? Then load together?	YES.
5	When will you leave your factory and to have your spring festival holidays?	According to national regulations.
6	Can the equipment be installed under hot weather?	YES.
7	Can Your products be installed under the cold weather?	YES.
8	Do You have office in shanghai or guangzhou that i can visit?	NONE.
9	Can you send your staff to install the equipment for us?	Unwanted.
10	Can I only buy some spare parts from you?	YES.
11	Will you will attend the fair to show your products?	YES.
12	Can you send your equipment to my warehouse in guangzhou?	YES.
13	How long it takes you to provide the designing options for us?	3 days at most.
14	What is your products standardization?	AWWA BS AIP WRAS FM.
15	How do you pack the equipment?	Negotiate with the customer.
16	Can you can design the equipment according to our size?	YES.
17	How many years have your company made this kind of	5 years.

	equipment?	
18	Which certificate do you have for your equipment?	FM.
19	How many staffs do you have in your factory?	200
20	Do you have any agent in our country?	NONE.
21	Do you have any real project pictures of the equipment?	YES.
22	How far is your factory from the city hotel?	10 km.
23	How far is your factory from the airport?	10 km.
24	How long it will take from guangzhou to your factory?	5 hours.
25	Where is your factory located?	Weifang City, Shandong province.
26	Do you provide free spare parts?	It depends.
27	What is the age range for your products?	Everyone.
28	Do you have detailed and professional installation manual?	YES.
29	If OEM is acceptable?	YES.
30	Do you provide sample? Free or charge?	It depends.
31	What is your term of payment?	30% payment in advance, 70% paid before shipment.
32	What is your MOQ?	One container.
33	Are you a trading company or a manufacturer?	Trade and Industry combination group company.
34	How long is your delivery time?	25-40 days.