



Ductile Iron Butterfly Valve(Wafer)

You can rest assured to buy customized Hispeed® Ductile Iron Butterfly Valve(Wafer) from us. We supply Ductile Iron Butterfly Valve(Wafer).The HISPEED® Ductile Iron Butterfly Valves(Wafer) are used, for example, as system, sectional and pump water control valves, and are suitable for installation between ANSI Class 125/150 flanges as well as PN10/16 flanges without the need for flange gaskets.The HISPEED® Ductile Iron

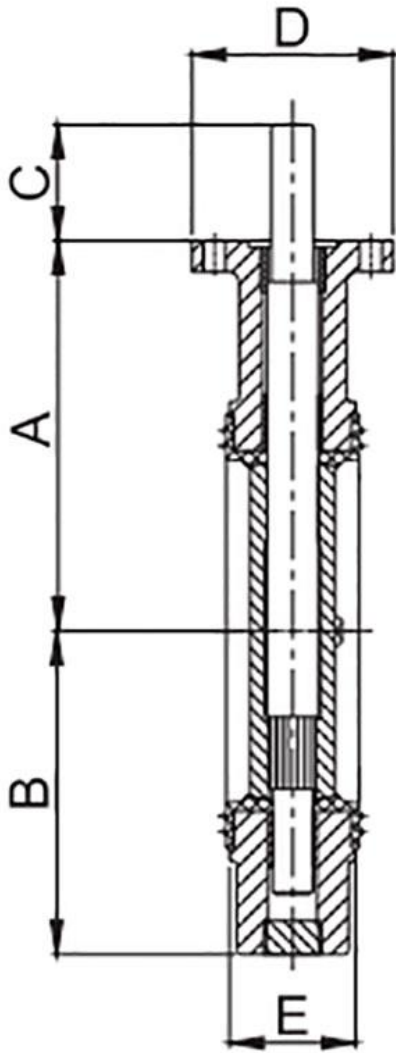
Butterfly Valve(Wafer) may be used in commercial and industrial applications, including water supply, waste water, gas supply, fire protection, HVAC and irrigation.Choose HISPEED® Ductile Iron Butterfly Valves(Wafer) for the most specified, versatile and economical valve option in commercial, mechanical and industrial applications.We are expecting to become your long term partner in China.

Product Description

You are welcomed to come to our factory to buy the latest selling, low price, and high-quality Hispeed® Non-Rising Stem Resilient-Seated(NRS) Ductile Iron Gate Valve(Grooved End). Its products have been well accepted throughout the country and marketed worldwide to markets in Europe, the United States, Africa, and Australia.

The HISPEED® Ductile Iron Butterfly Valves(Wafer) are used, for example, as system, sectional and pump water control valves, and are suitable for installation between ANSI Class 125/150 flanges as well as PN10/16 flanges without the need for flange gaskets.The HISPEED® Ductile Iron Butterfly Valve(Wafer) may be used in commercial and industrial applications, including water supply, waste water, gas supply, fire protection, HVAC and irrigation.Choose HISPEED® Ductile Iron Butterfly Valves(Wafer) for the most specified, versatile and economical valve option in commercial, mechanical and industrial applications.We are expecting to become your long term partner in China.We believe that long expression partnership is often a result of top of the range, value added service, prosperous encounter and personal contact for Hot Sale for China Ductile Iron Center Line Wafer Butterfly Valve, We often stick with the principle of "Integrity, Efficiency, Innovation and Win-Win business". Welcome to visit our web page and don't hesitate to communicate with us. Hot Sale for China Butterfly Valve, Wafer Butterfly Valve, By continuous innovation, we are going to offer you with more valuable items and services, and also make a contribution for the development of the automobile industry at home and abroad. Both domestic and foreign merchants are strongly welcomed to join us to grow together.

Product Parameter (Specification)



Size	A	B	C	D	E
2	110/4.33	74/2.91	52/2.05	90/3.54	43/1.69
2.5	118/4.65	85/3.35	52/2.05		46/1.81
3	130/5.12	95/3.75	52/2.05		46/1.81
4	145/5.71	115/4.55	52/2.05		52/2.06
5	160/6.30	130/5.10	52/2.05		56/2.19
6	175/6.89	145/5.70	52/2.05		56/2.19
8	200/7.87	170/6.70	72/2.83	126/4.96	60/2.38
10	250/9.84	210/8.30	72/2.83		68/2.70
12	275/10.83	240/9.50	72/2.83		79/3.13

Product Feature And Application

Outdoor and Indoor Rated

Flag Type Position Indicator

Face to Face Dimensions to ANSI/ASME B16.10 Narrow, EN558 S20

Connected Flange Complies With ASME B16.1 Class125 and EN1092 PN10/16

300PSI/PN10/PN16

Fusion Bonded Epoxy Coated Interior and Exterior to AWWA C550 Standard

Product Details

Part	Material	Specification
Body	Ductile Iron	EN1563 EN-GJS-450-10
Seat	Rubber	EN681 EPDM
Disc	Ductile Iron	EN1563 EN-GJS-450-10
Shaft	Stainless Steel	EN10088 X17CrNi 16-2
Bushing	Brass	EN12168, CuZn39Pb3
Housing	Grey Cast Iron	EN1561 EN-GJL-250
Fasteners	Carbon Steel	EN 24017 Gr 4.8

Deliver, Shipping And Serving

Ship from Qingdao or another Seaports

FAQ

	Q	A
1	How many days you need to install the equipment?	Unwanted.
2	How many staff abroad you sent to install the equipment?	Unwanted.
3	Can I transfer the money to you then you pay to other supplier?	YES.
4	Can I delivery the goods from other supplier to your factory? Then load together?	YES.
5	When will you leave your factory and to have your spring festival holidays?	According to national regulations.
6	Can the equipment be installed under hot weather?	YES.
7	Can Your products be installed under the cold weather?	YES.
8	Do You have office in shanghai or guangzhou that i can visit?	NONE.
9	Can you send your staff to install	Unwanted.

	the equipment for us?	
10	Can I only buy some spare parts from you?	YES.
11	Will you will attend the fair to show your products?	YES.
12	Can you send your equipment to my warehouse in guangzhou?	YES.
13	How long it takes you to provide the designing options for us?	3 days at most.
14	What is your products standardization?	AWWA BS AIP WRAS FM.
15	How do you pack the equipment?	Negotiate with the customer.
16	Can you can design the equipment according to our size?	YES.
17	How many years have your company made this kind of equipment?	5 years.
18	Which certificate do you have for your equipment?	FM.
19	How many staffs do you have in your factory?	200
20	Do you have any agent in our country?	NONE.
21	Do you have any real project pictures of the equipment?	YES.
22	How far is your factory from the city hotel?	10 km.
23	How far is your factory from the airport?	10 km.
24	How long it will take from guangzhou to your factory?	5 hours.
25	Where is your factory located?	Weifang City,Shandong province.
26	Do you provide free spare parts?	It depends.
27	What is the age range for your	Everyone.

	products?	
28	Do you have detailed and professional installation manual?	YES.
29	If OEM is acceptable?	YES.
30	Do you provide sample? Free or charge?	It depends.
31	What is your term of payment?	30% payment in advance, 70% paid before shipment.
32	What is your MOQ?	One container.
33	Are you a trading company or a manufacturer?	Trade and Industry combination group company.
34	How long is your delivery time?	25-40 days.