



Ductile Iron Butterfly Valve(Grooved)

You can rest assured to buy Hispeed® Ductile Iron Butterfly Valve(Grooved) from our factory and we will offer you the best after-sale service and timely delivery. We supply Ductile Iron Butterfly Valve(Grooved).The HISPEED® Ductile Iron Butterfly Valves(Grooved) are used, for example, as system, sectional and pump water control valves.The HISPEED® Ductile Iron Butterfly Valve(Grooved) may be used in commercial and

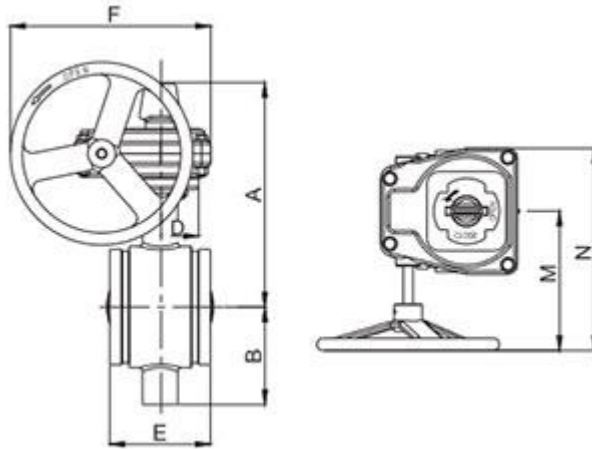
industrial applications, including water supply, waste water, gas supply, fire protection, HVAC and irrigation.Choose HISPEED® Ductile Iron Butterfly Valves(Grooved) for the most specified, versatile and economical valve option in commercial, mechanical and industrial applications.The butterfly valve features a AWWA C606 Groove, grooved end connection for easy installation and accessibility.We are expecting to become your long term partner in China.

Product Description

You can rest assured to buy customized Hispeed® Ductile Iron Butterfly Valve(Grooved) from us.We have the distinct advantage because the success of our company is directly related to each and every individual. We take pride in all we do, and we take pride in a job well done.

The HISPEED® Ductile Iron Butterfly Valves(Grooved) are used, for example, as system, sectional and pump water control valves.The HISPEED® Ductile Iron Butterfly Valve(Grooved) may be used in commercial and industrial applications, including water supply, waste water, gas supply, fire protection, HVAC and irrigation.Choose HISPEED® Ductile Iron Butterfly Valves(Grooved) for the most specified, versatile and economical valve option in commercial, mechanical and industrial applications.The butterfly valve features a AWWA C606 Groove, grooved end connection for easy installation and accessibility.We are expecting to become your long term partner in China.Our merchandise are commonly recognized and reliable by customers and can meet constantly developing economic and social desires for Reasonable price for Ductile Iron Approved Grooved Handle Operated Cast Iron Wafer Butterfly Valve, The staff of our business with all the use of cutting-edge technologies delivers impeccable excellent solutions supremely adored and appreciated by our customers globally. Reasonable price for China Gear Butterfly Valve, Butterfly Valve with Pin, Our company promises: reasonable prices, short production time and satisfactory after-sales service, we also welcome you to visit our factory at any time you want. Wish we have a pleasant and long terms business together.

Product Parameter (Specification)



Size	A	B	E	F	M	N
2	220/8.70	77/3.00	84/3.30	190/7.48	150/5.90	228/8.98
2.5	230/9.00	85/3.35	97/3.81	190/7.48	150/5.90	228/8.98
3	235/9.25	90/3.55	97/3.81	190/7.48	150/5.90	228/8.98
4	265/10.45	110/4.30	116/4.56	190/7.48	150/5.90	228/8.98
5	285/11.25	120/4.75	148/5.81	215/8.46	157/6.18	235/9.25
6	305/12.00	145/5.70	148/5.81	215/8.46	157/6.18	235/9.25
8	360/14.25	180/7.00	133/5.25	280/11.02	205/8.07	310/12.20
10	410/16.20	230/9.00	159/6.25	280/11.02	230/9.06	333/13.11
12	435/17.13	260/10.25	165/6.50	280/11.02	230/9.06	333/13.11

Product Feature And Application

Outdoor and Indoor Rated

Flag Type Position Indicator

Built-in Supervisory Switch

Face to Face Dimensions to MSS SP-67

Grooved Ends Dimensions meet AWWA C606

300PSI

Fusion Bonded Epoxy Coated Interior and Exterior to AWWA C550 Standard

Product Details

Part	Material	ASTM Specification
Body	Ductile Iron	A536 Grade 65-45-12
Disc	EPDM fully Encapsulated Dcutile Iron Disc	
Shaft	Stainless Steel	A276 Grade 431
Bushing	Brass	B124 C37700
Housing	Grey Cast Iron	A126 Class B
Fasteners	Carbon Steel	A307 Grade B

Deliver, Shipping And Serving

Ship from Qingdao or another Seaports

FAQ

	Q	A
1	How many days you need to install the equipment?	Unwanted.
2	How many staff abroad you sent to install the equipment?	Unwanted.
3	Can I transfer the money to you then you pay to other supplier?	YES.
4	Can I delivery the goods from other supplier to your factory? Then load together?	YES.
5	When will you leave your factory and to have your spring festival holidays?	According to national regulations.
6	Can the equipment be installed under hot weather?	YES.
7	Can Your products be installed under the cold weather?	YES.
8	Do You have office in shanghai or guangzhou that i can visit?	NONE.
9	Can you send your staff to install the equipment for us?	Unwanted.
10	Can I only buy some spare parts from you?	YES.
11	Will you will attend the fair to show your products?	YES.
12	Can you send your equipment to my warehouse in guangzhou?	YES.
13	How long it takes you to provide the designing options for us?	3 days at most.
14	What is your products standardization?	AWWA BS AIP WRAS FM.
15	How do you pack the	Negotiate with the customer.

	equipment?	
16	Can you can design the equipment according to our size?	YES.
17	How many years have your company made this kind of equipment?	5 years.
18	Which certificate do you have for your equipment?	FM.
19	How many staffs do you have in your factory?	200
20	Do you have any agent in our country?	NONE.
21	Do you have any real project pictures of the equipment?	YES.
22	How far is your factory from the city hotel?	10 km.
23	How far is your factory from the airport?	10 km.
24	How long it will take from guangzhou to your factory?	5 hours.
25	Where is your factory located?	Weifang City,Shandong province.
26	Do you provide free spare parts?	It depends.
27	What is the age range for your products?	Everyone.
28	Do you have detailed and professional installation manual?	YES.
29	If OEM is acceptable?	YES.
30	Do you provide sample? Free or charge?	It depends.
31	What is your term of payment?	30% payment in advance, 70% paid before shipment.
32	What is your MOQ?	One container.
33	Are you a trading company or a manufacturer?	Trade and Industry combination group company.

34	How long is your delivery time?	25-40 days.
----	---------------------------------	-------------