



Dry Sprinklers

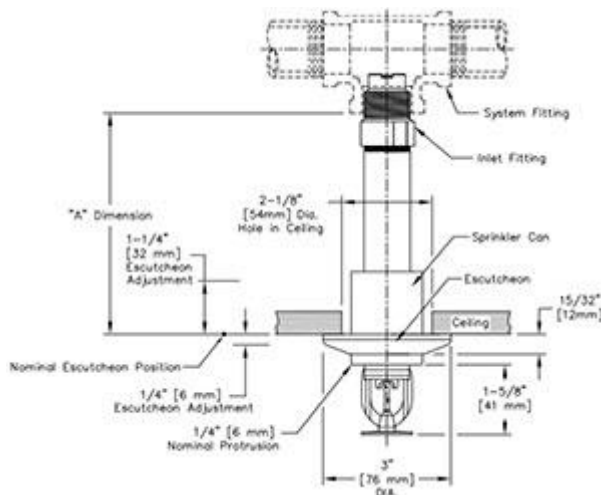
We supply Dry Sprinklers. The HISPEED® Dry sprinklers are designed for use in areas where the sprinkler may be subjected to freezing conditions. Dry sprinklers may be used in dry systems, where the entire area being protected is subject to freezing, and wet systems, where a small portion of the area being protected is subject to freezing. We are expecting to become your long term partner in China.

Product Description

As the professional manufacture, we would like to provide you high quality Hispeed® Dry Sprinklers. And we will offer you the best after-sale service and timely delivery.

The HISPEED® Dry sprinklers are designed for use in areas where the sprinkler may be subjected to freezing conditions. Dry sprinklers may be used in dry systems, where the entire area being protected is subject to freezing, and wet systems, where a small portion of the area being protected is subject to freezing. We are expecting to become your long term partner in China.

Product Parameter (Specification)



Product Feature And Application

Available with 1”NPT, ISO7-1R1, 3/4”NPT, or ISO7- 1R3/4 inlet fitting.

3/4”NPT inlet fittings permit replacement of older 3/4”inlet dry sprinklers without changing to a larger sprinkler fitting.

Sprinklers, escutcheons, and cover plates are available in a wide variety of standard and special application finishes.

Temperature Classification	Glass Bulb Color	Sprinkler Temperature Rating	Cover Plate Temperature Rating	Maximum Ceiling Temperature
Ordinary	Orange	135°F (57°C)	135°F (57°C)	100°F (38°C)
	Red	155°F (68°C)		
Intermediate	Yellow	175°F (79°C)	165°F (74°C)	150°F (66°C)
Intermediate	Green	200°F (93°C)	165°F (74°C)	150°F (66°C)
High	Blue	286°F (141°C)	None	225°F (107°C)
			165°F (74°C)	150°F (66°C)

Product Details

Component	Sprinkler	Escutcheon ⁽¹⁾	Cover Plate
Standard Finishes	Bronze	Brass ⁽²⁾	White Paint
	White Polyester ⁽²⁾	White Polyester	Chrome
	Chrome	Chrome	
Special Application Finishes	Electroless Nickel PTFE ⁽²⁾	Type 316 Stainless Steel	Satin Chrome Black Paint Custom Color Paint Black Plating
	Black Polyester ⁽²⁾	Black Polyester	
	Custom Color Polyester	Customer Color Polyester	

Deliver, Shipping And Serving

Ship from Qingdao or another Seaports

FAQ

	Q	A
1	How many days you need to install the equipment?	Unwanted.
2	How many staff abroad you sent to install the equipment?	Unwanted.
3	Can I transfer the money to you then you pay to other supplier?	YES.
4	Can I delivery the goods from other supplier to your factory? Then load together?	YES.
5	When will you leave your factory and to have your spring festival holidays?	According to national regulations.
6	Can the equipment be installed under hot weather?	YES.
7	Can Your products be installed under the cold weather?	YES.

8	Do You have office in shanghai or guangzhou that i can visit?	NONE.
9	Can you send your staff to install the equipment for us?	Unwanted.
10	Can I only buy some spare parts from you?	YES.
11	Will you will attend the fair to show your products?	YES.
12	Can you send your equipment to my warehouse in guangzhou?	YES.
13	How long it takes you to provide the designing options for us?	3 days at most.
14	What is your products standardization?	AWWA BS AIP WRAS FM.
15	How do you pack the equipment?	Negotiate with the customer.
16	Can you can design the equipment according to our size?	YES.
17	How many years have your company made this kind of equipment?	5 years.
18	Which certificate do you have for your equipment?	FM.
19	How many staffs do you have in your factory?	200
20	Do you have any agent in our country?	NONE.
21	Do you have any real project pictures of the equipment?	YES.
22	How far is your factory from the city hotel?	10 km.
23	How far is your factory from the airport?	10 km.
24	How long it will take from guangzhou to your factory?	5 hours.

25	Where is your factory located?	Weifang City, Shandong province.
26	Do you provide free spare parts?	It depends.
27	What is the age range for your products?	Everyone.
28	Do you have detailed and professional installation manual?	YES.
29	If OEM is acceptable?	YES.
30	Do you provide sample? Free or charge?	It depends.
31	What is your term of payment?	30% payment in advance, 70% paid before shipment.
32	What is your MOQ?	One container.
33	Are you a trading company or a manufacturer?	Trade and Industry combination group company.
34	How long is your delivery time?	25-40 days.