



Double Orifice Air Relief Valve

We supply Double Orifice Air Relief Valve. The HISPEED® air vacuum valves are designed to discharge air during the filling or charging of the system and to admit air into the system during system drainage, valve or pump shut-off or at water column separation. We also offer a range of air release valves and combination air valves combining the functions of an air release valve and an air vacuum valve. The HISPEED® air vacuum

valves are designed for installation in the water supply connection to sprinkler, deluge, foam systems, or standpipe fire protection systems. The HISPEED® air vacuum valve features a flange, easy installation and accessibility. We are expecting to become your long term partner in China.

Product Description

As the professional manufacture, we would like to provide you high quality Hispeed® Double Orifice Air Relief Valve. And we will offer you the best after-sale service and timely delivery.

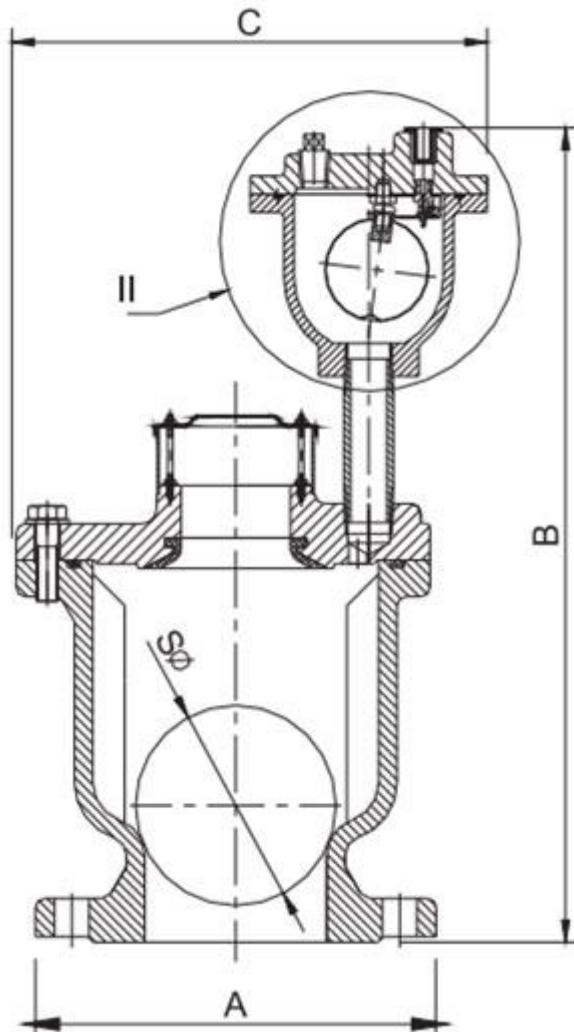
The HISPEED® air vacuum valves are designed to discharge air during the filling or charging of the system and to admit air into the system during system drainage, valve or pump shut-off or at water column separation. We also offer a range of air release valves and combination air valves combining the functions of an air release valve and an air vacuum valve.

The HISPEED® air vacuum valves are designed for installation in the water supply connection to sprinkler, deluge, foam systems, or standpipe fire protection systems. The HISPEED® air vacuum valve features a flange, easy installation and accessibility. We are expecting to become your long term partner in China.

To regularly increase the management program by virtue of your rule of "sincerely, good faith and quality are the base of business development", we extensively absorb the essence of associated solutions internationally, and continuously create new solutions to satisfy the demands of customers for 100% Original China Cast Iron/Ductile Iron Single Ball Flanged End Air Valve, We have confident that we can provide the high quality products at reasonable price, good after-sales service to the customers. And we will create a bright future. 100% Original China Air Valves, Valves, With a wide range, good quality, reasonable prices and stylish designs, our solutions are extensively used in beauty and other industries. Our solutions are widely recognized and trusted by users and can meet

continuously changing economic and social needs.

Product Parameter (Specification)



Size	DN50	DN65	DN80	DN100	DN150	DN200
A	165	185	200	220	285	340
B	370	425	425	450	490	540
C	190.5	230	230	260	320	341
SΦ	65	94	94	110	150	150
II	1/2"	3/4"	3/4"	3/4"	3/4"	3/4"

Product Feature And Application

Dual air release vent the accumulated small volumes of air during normal system operation

Allow inflow of large volumes of air during draining of the pipeline

Allow venting of large volumes of air during filling of the pipeline

Provide protection from pipeline collapse due to vacuum

Flanged and Drilling Complies with ANSI B16.1 Class 125 / EN 1092-2 PN16

300psi/PN16

Fusion Bonded Epoxy Coated Interior and Exterior to AWWA C550 Standard

Product Details

Part	Material	EN Specification	ASTM Specification
Body	Cast Iron	EN 1561, EN-GJL-250	A126 Class B
Cover	Cast Iron	EN 1561, EN-GJL-250	A126 Class B
Larger Ball	Stainless Steel	EN10088-3, X5CrNi18-10	A276 Grade 304
Small Ball	Stainless Steel	EN10088-3, X5CrNi18-10	A276 Grade 304
Gasket	Rubber	EN 681 EPDM/NBR	D2000 EPDM/NBR
Cap	Stainless Steel	EN10088-3, X5CrNi18-10	A276 Grade 304
Screen	Stainless Steel	EN10088-3, X5CrNi18-10	A276 Grade 304

Deliver,Shipping And Serving

Ship from Qingdao or another Seaports

FAQ

	Q	A
1	How many days you need to install the equipment?	Unwanted.
2	How many staff abroad you sent to install the equipment?	Unwanted.
3	Can I transfer the money to you then you pay to other supplier?	YES.
4	Can I delivery the goods from other supplier to your factory? Then load together?	YES.
5	When will you leave your factory and to have your spring festival holidays?	According to national regulations.
6	Can the equipment be installed under hot weather?	YES.
7	Can Your products be installed under the cold weather?	YES.
8	Do You have office in shanghai or guangzhou that i can visit?	NONE.
9	Can you send your staff to install	Unwanted.

	the equipment for us?	
10	Can I only buy some spare parts from you?	YES.
11	Will you will attend the fair to show your products?	YES.
12	Can you send your equipment to my warehouse in guangzhou?	YES.
13	How long it takes you to provide the designing options for us?	3 days at most.
14	What is your products standardization?	AWWA BS AIP WRAS FM.
15	How do you pack the equipment?	Negotiate with the customer.
16	Can you can design the equipment according to our size?	YES.
17	How many years have your company made this kind of equipment?	5 years.
18	Which certificate do you have for your equipment?	FM.
19	How many staffs do you have in your factory?	200
20	Do you have any agent in our country?	NONE.
21	Do you have any real project pictures of the equipment?	YES.
22	How far is your factory from the city hotel?	10 km.
23	How far is your factory from the airport?	10 km.
24	How long it will take from guangzhou to your factory?	5 hours.
25	Where is your factory located?	Weifang City,Shandong province.
26	Do you provide free spare parts?	It depends.
27	What is the age range for your	Everyone.

	products?	
28	Do you have detailed and professional installation manual?	YES.
29	If OEM is acceptable?	YES.
30	Do you provide sample? Free or charge?	It depends.
31	What is your term of payment?	30% payment in advance, 70% paid before shipment.
32	What is your MOQ?	One container.
33	Are you a trading company or a manufacturer?	Trade and Industry combination group company.
34	How long is your delivery time?	25-40 days.