



Cast Steel Gate Valve

You are welcomed to come to our factory to buy the latest selling, low price, and high-quality Hispeed® Cast Steel Gate Valve. We supply Cast Steel Gate Valve. The Cast Steel Gate Valve provides full flow with minimal pressure drop. The Cast Steel Gate Valve features a flange, easy installation and accessibility. The HISPEED® flanged Cast Steel Gate Valve may be used in commercial and industrial applications, including chemical, biochemistry, pulp & paper, chemical fiber, pharmaceutical, environmental protection etc. Choose HISPEED® gate valves for the most specified, versatile and economical valve option in commercial, mechanical and industrial applications. We are expecting to become your long term partner in China.

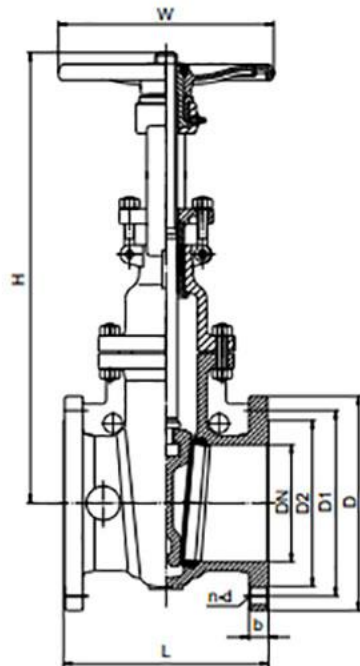
Product Description

As the professional manufacture, we would like to provide you high quality Hispeed® Cast Steel Gate Valve. Due to our focused approach, timely delivery and ethical business policy, we have been able to gain tremendous success in this domain.

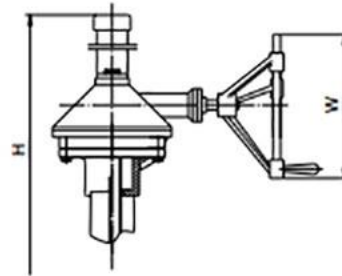
The Cast Steel Gate Valve provides full flow with minimal pressure drop. The Cast Steel Gate Valve features a flange, easy installation and accessibility. The HISPEED® flanged Cast Steel Gate Valve may be used in commercial and industrial applications, including chemical, biochemistry, pulp & paper, chemical fiber, pharmaceutical, environmental protection etc. Choose HISPEED® gate valves for the most specified, versatile and economical valve option in commercial, mechanical and industrial applications. We are expecting to become your long term partner in China. With a positive and progressive attitude to customer's interest, our company continuously improves our product quality to meet the needs of customers and further focuses on safety, reliability, environmental requirements, and innovation of High Quality China Cast Steel Flange End Gate & Ball Valve. We sincerely welcome pals to negotiate enterprise and start cooperation. We hope to join hands with pals in different industries to produce a outstanding foreseeable future. High Quality China Valve, Spare Parts, To meet the requirements of personal customers for each bit more perfect service and stable quality goods. We warmly welcome customers around the world to visit us, with our multi-faceted cooperation, and jointly develop new markets, create a brilliant future.

Product Parameter (Specification)

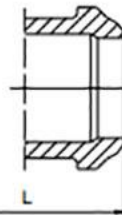
Cast Steel Gate Valves Class 150



BEVEL GEAR OPERATED (26" & ABOVE)



BUTT WELD END

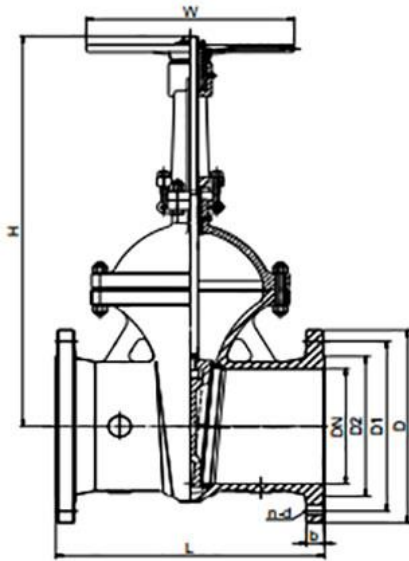


DIMENSIONS(mm)

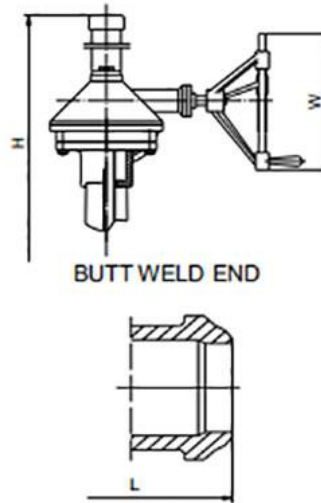
NPS	DN	L (RF)	L (BW)	D	D1	D2	b	n-d	H	W	W.T(Kg)
2	50	178	216	152	120.7	92	15.9	4-19	347	200	19
2.5	65	190	241	178	139.7	105	17.5	4-19	379	200	26
3	80	203	282	190	152.4	127	19.1	4-19	380	250	30
4	100	229	305	229	190.5	157	23.9	8-19	436	250	42
5	125	254	381	254	215.9	186	23.9	8-22	527	300	58
6	150	267	403	279	241.3	216	25.4	8-22	589	300	69
8	200	292	419	343	298.5	270	28.5	8-22	729	360	114
10	250	330	457	406	362	324	30.2	12-25	980	400	185
12	300	356	502	483	431.8	381	31.8	12-25	1021	450	259
14	350	381	572	533	476.3	413	35	12-29	1145	500	350
16	400	406	610	597	539.8	470	36.6	16-29	1291	600	471
18	450	432	660	635	577.9	533	39.6	16-32	1426	650	578
20	500	457	711	699	635.0	584	42.9	20-32	1574	700	730
22	550	508	762	750	692.2	642	46.1	20-35	1695	750	976
24	600	508	813	813	749.3	692	47.8	20-35	1851	800	1129
26	650	559	864	785	744.5	711	41.5	36-22	2815	530	1495
28	700	610	914	835	795.3	762	44.6	40-22	2982	530	1802
30	750	610	914	885	846.1	813	44.6	44-22	3162	530	2285
32	800	660	965	940	900.1	864	46.0	48-22	3293	530	2528
36	900	711	1016	1055	1009.6	972	52.4	44-25	3730	600	3365
40	1000	762	1067	1175	1120.8	1080	55.7	44-29	3975	600	4825
42	1050	787	1092	1225	1171.6	1130	58.8	48-29	4712	600	5365
48	1200	864	1168	1390	1335.1	1289	65.1	44-32	5320	600	7123

Note: Flange: 2"~24" per ASME B16.5; 22" per MSS SP-44; 26" & above per ASME B16.47 B series

Cast Steel Gate Valves Class300



BEVEL GEAR OPERATED(18" & ABOVE)



DIMENSIONS(mm)

NPS	DN	L-L (RF-BW)	D	D1	D2	b	n-d	H	W	W.T(Kg)
2	50	216	165	127	92	22.2	8-19	349	200	22
2.5	65	241	190	149.2	105	25.4	8-22	388	200	32
3	80	282	210	168.3	127	28.6	8-22	395	250	42
4	100	305	254	200	157	31.8	8-22	458	300	63
5	125	381	279	235	186	34.9	8-22	552	300	91
6	150	403	318	269.9	216	36.5	12-22	619	360	119
8	200	419	381	330.2	270	41.3	12-25	766	400	186
10	250	457	445	387.3	324	47.6	16-29	929	450	307
12	300	502	521	450.8	381	50.8	16-32	1074	500	418
14	350	762	584	514.3	413	54.0	20-32	1176	600	644
16	400	838	648	571.5	470	57.2	20-35	1309	650	822
18	450	914	711	628.7	533	60.3	24-35	1962	460	1166
20	500	991	775	685.8	584	63.5	24-35	2205	530	1652
22	550	1092	840	743.0	642	66.7	24-41	2456	530	2108
24	600	1143	914	812.8	692	69.9	24-41	2608	530	2689
26	650	1245	867	803.3	737	89.0	32-35	2995	600	3135
28	700	1346	921	857.2	787	89.0	36-35	3133	600	3341
30	750	1397	991	920.8	845	93.8	36-38	3218	600	3625
32	800	1524	1054	977.9	902	103.2	32-41	3705	600	4915
36	900	1727	1171	1089.0	1010	130.2	32-44	4122	810	6562
40	1000	1930	1273	1190.6	1116	115.9	40-44	4562	810	8526
42	1050	1981	1334	1244.6	1168	119.1	36-48	4758	810	9586
48	1200	2235	1511	1416.0	1327	128.6	40-51	5385	810	12485

Note: Flange: 2"~24"per ASME B16.5; 22"per MSS SP-44; 26"& above per ASME B16.47 B series

Product Feature And Application

Basic Design: API 600、ASME B16.34、BS1414

Face to Face Dimensions: ASME B16.10

End Flange Dimensions: 2"~24" Per ASME B16.5

22" Per MSS SP-44, 26"and Larger Per ASME B16.47 (A Or B Series)

Inspection and Test: API 598

Materials: ASTM

Product Details

Materials of Main Parts

PARTS	MATERIAL				
	CARBON STEEL	LOW-TEM. STEEL	HIGH-TEM. STEEL	STAINLESS STEEL	SULPHUR RESISTANCE
BODY	ASTM A216 WCB	ASTM A352 LCB	ASTM A217 WC6	ASTM A351 CF8M	ASTM A216 WCB
SEAT	ASTM A105	ASTM A182 F304	ASTM A182 F11	ASTM A182 F316	ASTM A105
WEDGE	ASTM A216 WCB	ASTM A352 LCB	ASTM A217 WC6	ASTM A351 CF8M	ASTM A216 WCB
SEALING SURFACE	PER 8-Trim	PER 8-Trim	PER 8-Trim	PER 8-Trim	PER 8-Trim-NC
STEM	ASTM A182 F6a	ASTM A182 F304	ASTM A182 F6a	ASTM A182 F316	ASTM A182 F6a-NC
BONNET GASKET	304+GRAP HITE	304+GRAP HITE	304+GRAP HITE	316+GRAP HITE	304+GRAP HITE
BONNET	ASTM A216 WCB	ASTM A352 LCB	ASTM A217 WC6	ASTM A351 CF8M	ASTM A216 WCB
BONNET STUD	ASTM A193 B7	ASTM A320-L7	ASTM A193-B16	ASTM A193-B8	ASTM A193-B7M
BONNET NUT	ASTM A194 2H	ASTM A194-4	ASTM A194-4	ASTM A194-8	ASTM A194-2HM
BACK SEAT	ASTM A276 420	ASTM A276 304	ASTM A276 420	ASTM A276 316	ASTM A276 420-NC
UPPER & LOWER PACKING	GRAPHITE +304	GRAPHITE +304	GRAPHITE +304	GRAPHITE +316	GRAPHITE +304
MIDDLE PACKING	GRAPHITE	GRAPHITE	GRAPHITE	GRAPHITE	GRAPHITE
LANTERN RING	ASTM A276 420	ASTM A276 304	ASTM A276 420	ASTM A276 316	ASTM A276 420-NC
GLAND	ASTM A276	ASTM A276	ASTM A276	ASTM A276	ASTM A276

	420	304	420	316	420-NC
GLAND FOLLOWER	ASTM A216 WCB	ASTM A352 LCB	ASTM A216 WCB	ASTM A351 CF8	ASTM A216 WCB
EYE BOLT	ASTM A193 B7	ASTM A320-L7	ASTM A193 B7	ASTM A193 B8	ASTM A193-B7M
NUT	ASTM A194 2H	ASTM A194-4	ASTM A194 2H	ASTM A194 8	ASTM A194-2HM
PIN	AISI 1035	AISI 1035	AISI 1035	AISI 1035	AISI 1035
STEM NUT	ASTM A439 D2	ASTM A439 D2	ASTM A439 D2	ASTM A439 D2	ASTM A439 D2
BEARING COVER	CARBON STEEL	CARBON STEEL	CARBON STEEL	CARBON STEEL	CARBON STEEL
HANDWHEEL	ASTM A536	ASTM A536	ASTM A536	ASTM A536	ASTM A536
HANDWHEEL NUT	CARBON STEEL	CARBON STEEL	CARBON STEEL	CARBON STEEL	CARBON STEEL

Deliver,Shipping And Serving

Ship from Qingdao or another Seaports

FAQ

	Q	A
1	How many days you need to install the equipment?	Unwanted.
2	How many staff abroad you sent to install the equipment?	Unwanted.
3	Can I transfer the money to you then you pay to other supplier?	YES.
4	Can I delivery the goods from other supplier to your factory? Then load together?	YES.
5	When will you leave your factory and to have your spring festival holidays?	According to national regulations.
6	Can the equipment be installed under hot weather?	YES.
7	Can Your products be installed	YES.

	under the cold weather?	
8	Do You have office in shanghai or guangzhou that i can visit?	NONE.
9	Can you send your staff to install the equipment for us?	Unwanted.
10	Can I only buy some spare parts from you?	YES.
11	Will you will attend the fair to show your products?	YES.
12	Can you send your equipment to my warehouse in guangzhou?	YES.
13	How long it takes you to provide the designing options for us?	3 days at most.
14	What is your products standardization?	AWWA BS AIP WRAS FM.
15	How do you pack the equipment?	Negotiate with the customer.
16	Can you can design the equipment according to our size?	YES.
17	How many years have your company made this kind of equipment?	5 years.
18	Which certificate do you have for your equipment?	FM.
19	How many staffs do you have in your factory?	200
20	Do you have any agent in our country?	NONE.
21	Do you have any real project pictures of the equipment?	YES.
22	How far is your factory from the city hotel?	10 km.
23	How far is your factory from the airport?	10 km.
24	How long it will take from	5 hours.

	guangzhou to your factory?	
25	Where is your factory located?	Weifang City,Shandong province.
26	Do you provide free spare parts?	It depends.
27	What is the age range for your products?	Everyone.
28	Do you have detailed and professional installation manual?	YES.
29	If OEM is acceptable?	YES.
30	Do you provide sample? Free or charge?	It depends.
31	What is your term of payment?	30% payment in advance, 70% paid before shipment.
32	What is your MOQ?	One container.
33	Are you a trading company or a manufacturer?	Trade and Industry combination group company.
34	How long is your delivery time?	25-40 days.